

INSTALLATION INSTRUCTIONS

ELELG40-SM Static Wall Mount

Prior to assembly, unpack carton completely and verify contents. If you are missing any of the following components, please contact Technical Support at 1-800-776-5768.

- (1) PLASMA STATIC WALL MOUNT
- (6) MOUNTING BUTTON-Green
- (6) SCREW, M5-.8 x 25mm BHCS
- (6) WASHER Nylon .75 OD x .323 ID x .125
- (2) FLAG, Latching
- (2) WASHER, Nylon .500" OD x .312" ID x .0312"
- (2) SCREW, 10-24 x .5 FH Undercut
- (2) NUT, Nylock 10-24
- (1) KEY, Allen, 3mm

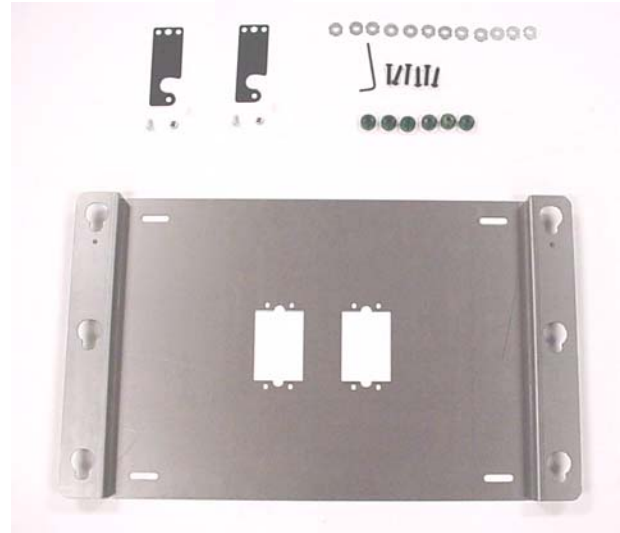


Figure 1

CAUTION: PLASMA DISPLAYS ARE EXTREMELY FRAGILE!

READ INSTALLATION INSTRUCTIONS COMPLETELY BEFORE PROCEEDING

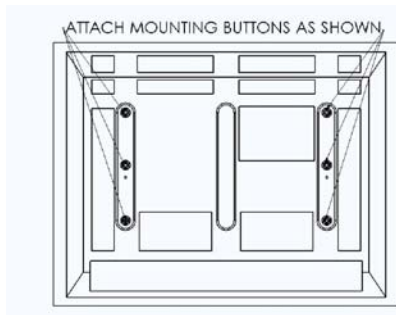


Figure 2

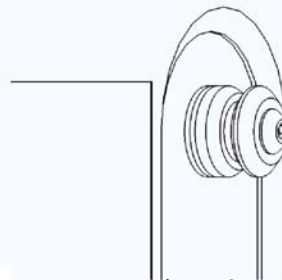


Figure 3

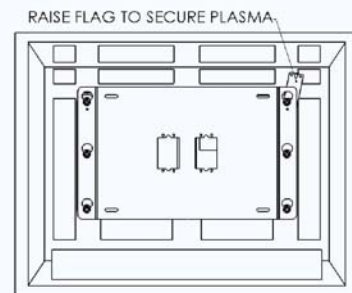


Figure 4

1. Attach mounting buttons to plasma utilizing the enclosed button head cap screws, mounting buttons, And 1 spacer under each button (See Figures 2 & 3).
2. Using two 10-24 x .5 FH undercut screws, Nylon washers between safety latch and mount, and 10-24 Nylock nuts, install the safety latches loose enough to move but tight enough to remain in place when raised.
3. Mount plasma static mount onto wall utilizing wall studs or supporting framework. The mount, when anchored in place, must be capable of supporting 4 times the weight of the plasma and mount.

CAUTION PLASMA DISPLAYS ARE HEAVY AND EXTREMELY FRAGILE.

4. With the aid of another person, lift plasma display up to the Chief mount, aligning mounting buttons with the teardrop slots and setting into place (See Figure 4).
5. Raise both safety latches to secure plasma in place.