

# INSTALLATION INSTRUCTIONS

## ELELG42 Mounting Bracket

Prior to assembly, unpack carton completely and verify contents. If you are missing any of the following components, please contact Technical Support at 1-800-776-5768.

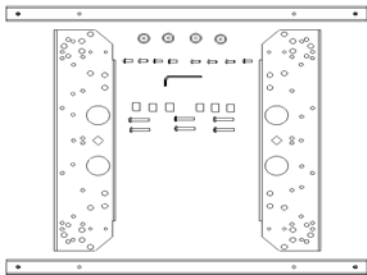


Figure 1 (See Table 1)

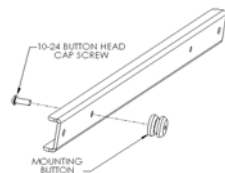


Figure 2

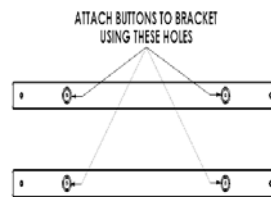


Figure 3

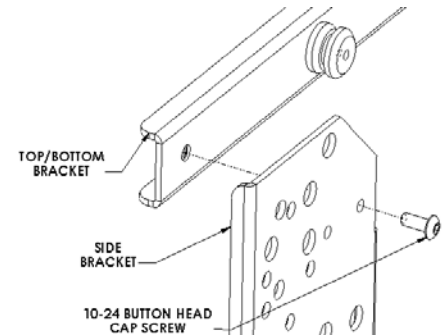


Figure 4

Table 1. PSB-2152

(2) Plasma Side Bracket	(2) Plasma Top/Bottom Bracket
(4) Mounting Button - Tapped	(4) 10-24 x .5 Button Head Cap Screw
(6) M5 X 30mm Phillips Head Cap Screw	(12) .5 x .257 x .625 Nylon Spacer
(6) M5 X 45mm Phillips Head Cap Screw	(1) 1/8" Allen Key

**CAUTION: PLASMA DISPLAYS ARE EXTREMELY FRAGILE!**

**READ INSTALLATION INSTRUCTIONS COMPLETELY  
BEFORE PROCEEDING**

### Instructions

1. Prior to assembly, unpack carton completely and verify contents. Refer to Figure 1 and Table 1.
2. Using a 10-24 button head cap screw inserted from back side of bracket, secure mounting button, with chamfered hole of mounting button (larger surface) facing bracket, to top and bottom brackets (four places) (see Figure 2 and Figure 3).

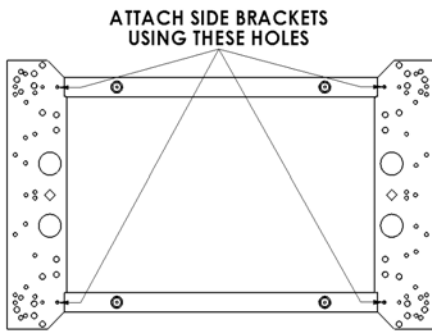


Figure 5

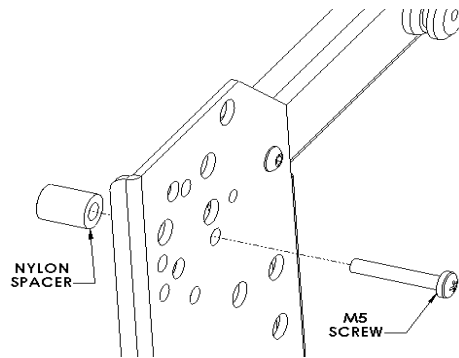


Figure 6

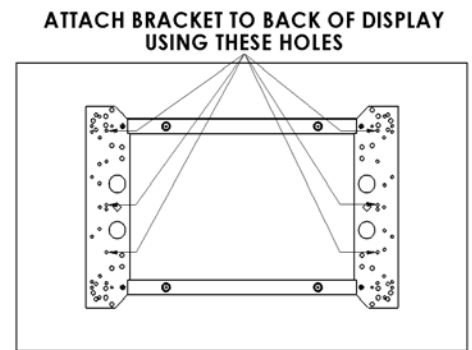


Figure 7

## Instructions (cont'd)

3. Place Nylon spacers on mounting holes on back of display (see Figure 4 and Figure 5). Attach brackets to display using the M5 screws (see Figure 6 and Figure 7). If your screen has a Turner or Media Box on back, stack two nylon spacers and M5 x 45mm screws to space the interface bracket away from back of screen.
4. With the aid of another person, lift the display up to the mount, aligning buttons of mounting brackets with slots in the mount.
5. Lower safety catch on the mount to secure the display, making sure latch is completely engaged.