
INSTALLATION INSTRUCTIONS

ELELG50-SM Static Wall Mount

Prior to assembly, unpack carton completely and verify contents. If you are missing any of the following components, please contact Technical Support at 1-800-776-5768.

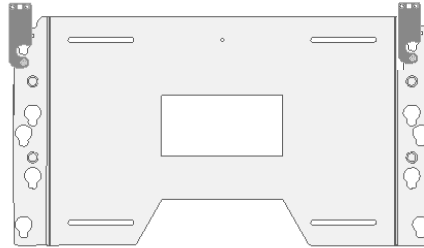


Figure 1 (See Table 1)

Table 1. PSM-2153

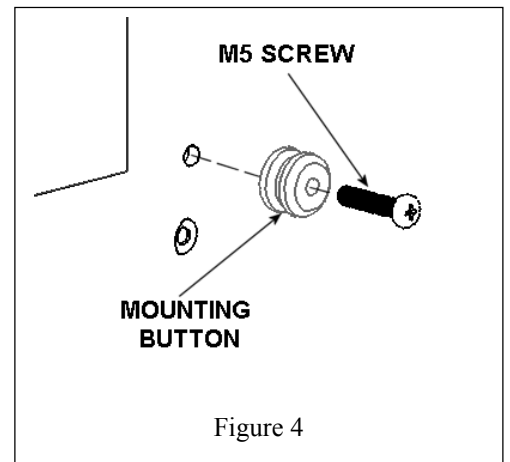
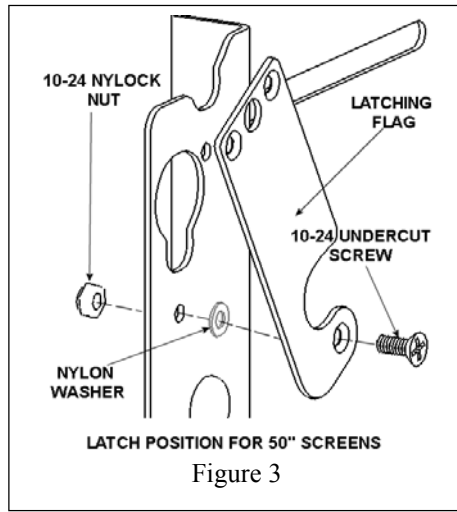
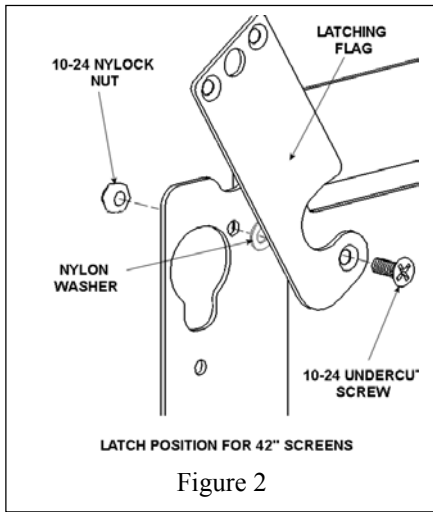
(1) Plasma Static Mount	(2) Latching Flag
(2) 10-24 x Nylock Nut	(6) Mounting Buttons-Green
(2) 10-24 x .5 Flat Head Screw	(6) M5- .8 x 25mm Phillips Head Screw
(2) Nylon Washer	

CAUTION: PLASMA DISPLAYS ARE EXTREMELY FRAGILE!

**READ INSTALLATION INSTRUCTIONS COMPLETELY
BEFORE PROCEEDING**

Instructions

1. Prior to assembly, unpack carton completely and verify contents. Refer to Figure 1 and Table 1.
2. Attach the two latching flags to mount using the 10-24 Phillips head screw, Nylon washer, and Nylock nut using the inside set of holes for the 42" screens and the outside set of holes for the 50" screens (see Figure 2 and Figure 3). Tighten until friction will hold the flag in place.



WARNING!

ALL COMPONENTS MUST BE SECURELY FASTENED TO A STRUCTURAL MEMBER CAPABLE OF SUPPORTING 4 TIMES THE COMBINED WEIGHT OF ALL COMPONENTS PLUS THE EQUIPMENT BEING MOUNTED.

IF IT CANNOT SUPPORT THIS WEIGHT, THE STRUCTURE MUST BE REINFORCED. THE MAXIMUM WEIGHT TO BE INSTALLED ON THE MOUNT IS 150 POUNDS (68.04 KG).

Instructions (cont'd)

3. Attach mounting buttons to the display using the M5 screws provided (see Figure 4 and Figure 5).
4. Mount plasma static mount to wall using wall studs or supporting framework. The mount, when anchored in place, must be capable of supporting four times the weight of the display and the mount.
5. With the aid of another person, lift the display up to the mount, aligning mounting buttons with the teardrop slots and setting into place (see Figure 6).
6. Raise safety latches to secure the display (see Figure 7).

