

# INSTALLATION INSTRUCTIONS

## ELENEC61-PRO(L) Mounting Bracket

Prior to assembly, unpack carton completely and verify contents. If you are missing any of the following components, please contact Technical Support at 1-800-776-5768.

- |   |                         |
|---|-------------------------|
| (2) Plasma Interface Bracket Uprights         | (1) 3/16" Allen Key     |
| (4) Mounting Buttons-.316" Thru Hole          | (4) 5/16-18 Ny-lock Nut |
| (4) 5/16-18 x 1/2" Button Head Cap Screw      |                         |
| (4) 1/2" Nylon Spacer                         |                         |
| (6) M8 x 30 mm Philips Head Cap Screws        |                         |
| (2) Plasma Interface Brackets Upper and Lower |                         |
| (6) M8 x 25 mm Philips Head Cap Screws        |                         |
| (4) 5/16-18 x 1" Button Head Cap Screw        |                         |

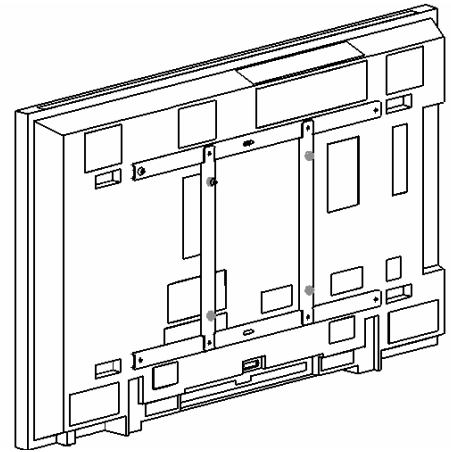


Figure 1

**CAUTION: PLASMA DISPLAYS ARE EXTREMELY FRAGILE!**

**READ INSTALLATION INSTRUCTIONS COMPLETELY  
BEFORE PROCEEDING**

1. Using a 5/16-18 x 1" button head cap screw inserted from the front of the mounting button, secure mounting button, with chamfered hole of mounting button (larger surface) facing bracket, to upright brackets (four places) (see Figure 2). Make sure the bends on interface bracket face away from the buttons.

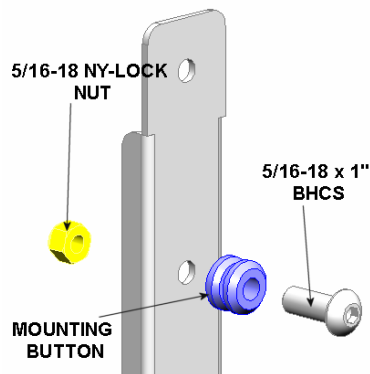


Figure 2

2. Attach the uprights to the upper and lower brackets using the 5/16-18 x 1/2" BHCS (see Figure 3 & Figure 4). Do not fully tighten until the brackets are attached to the screen.

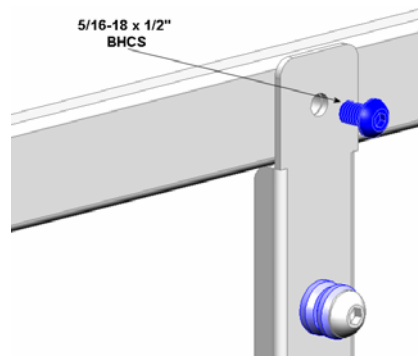


Figure 3

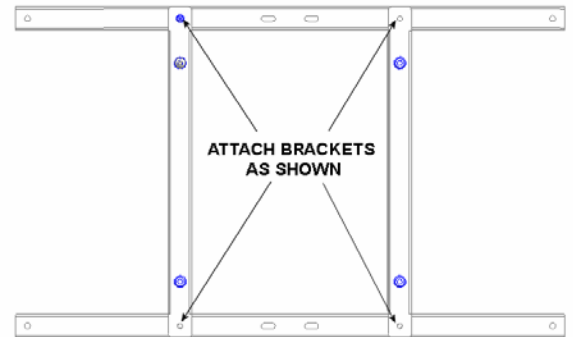


Figure 4

3. Place 6 Nylon spacers over the mounting holes on the back of the screen and attach the brackets using the appropriate M8 screws for your screen (see Figure 5 & Figure 6). After the brackets are tightened in place, fully tighten the 5/16-18 x 1/2" BHCS's to the uprights.

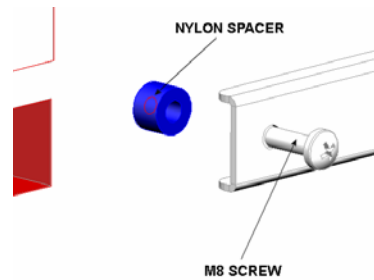


Figure 5

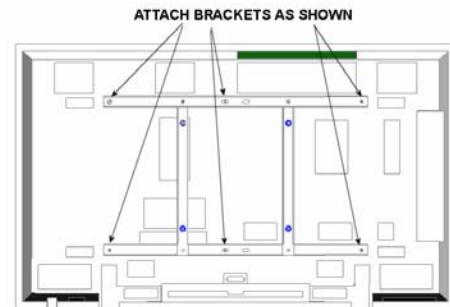


Figure 6

4. With the aid of another person, lift your display up to the mount, aligning buttons of mounting brackets with slots in the mount.
5. Lower safety catch on the mount to secure your display, making sure catch is completely engaged.