

INSTALLATION INSTRUCTIONS

ELEPHIL32 and 42 Mounting Bracket

Prior to assembly, unpack carton completely and verify contents. If you are missing any of the following components, please contact Technical Support at 1-800-776-5768.

- (1) PLASMA STATIC BRACKET
- (4) MOUNTING BUTTON
- (4) M5 X 12mm BHCS
- (1) 3mm Allen Key
- (1) 1/8" Allen Key
- (4) Steel Washers-.750" OD X .22 ID X .0625"
- (4) 10-24 Button Head Cap Screws

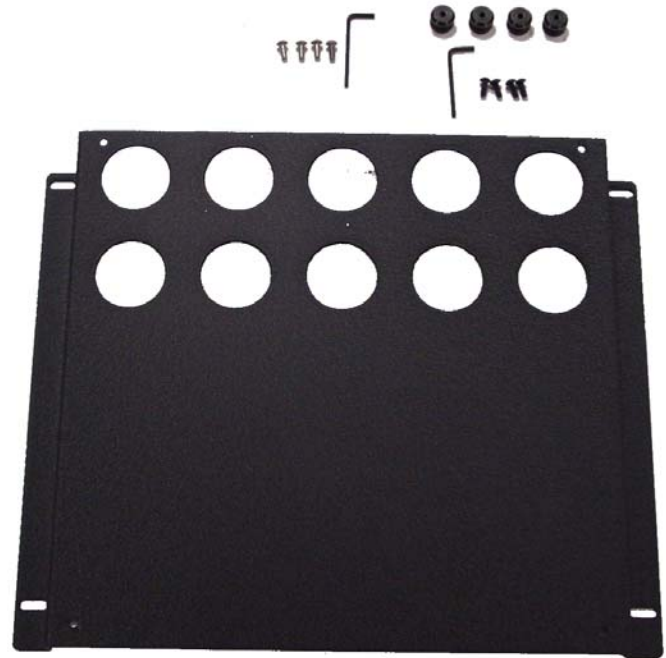


Figure 1

CAUTION: PLASMA DISPLAYS ARE EXTREMELY FRAGILE!

BEFORE PROCEEDING, READ INSTALLATION INSTRUCTIONS COMPLETELY

1. Attach mounting buttons to bracket using a 10-24 button head cap screw inserted from back side of bracket (See Figures 2 & 3).

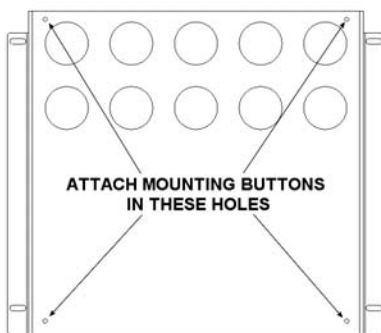


Figure 2

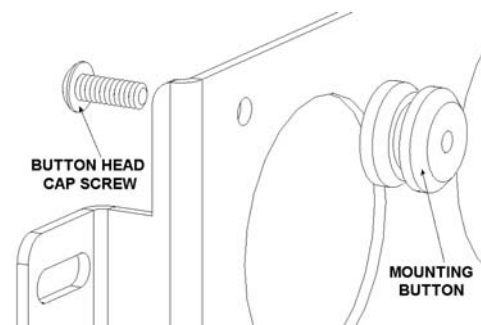


Figure 3

2. Place plasma bracket on display, with the bent flanges of the bracket in the slots on the display, and attach using the M5 button head cap screws and washers, ensuring not to over-tighten (See Figure 4 and Figure 5).
3. With the aid of another person, lift display up to the mount, aligning buttons of mounting brackets with slots in the mount.
4. Lower safety catch on the mount to secure display, making sure catch is completely engaged.

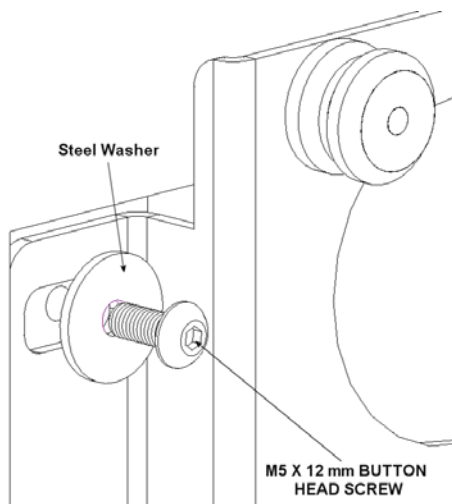


Figure 4

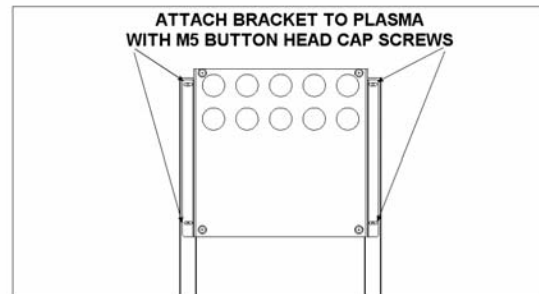


Figure 5