

---

# INSTALLATION INSTRUCTIONS

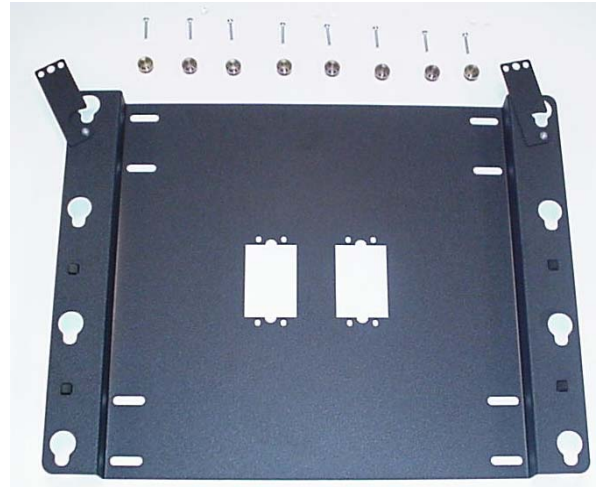
---

## ELEPHIL50-SML Static Wall Mount With Lateral Shift

Prior to assembly, unpack carton completely and verify contents. If you are missing any of the following components, please contact Technical Support at 1-800-776-5768.

### Static Wall Mount Components

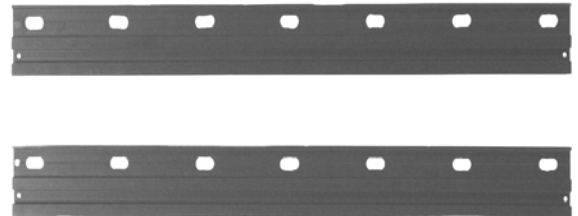
- (1) PLASMA STATIC WALL MOUNT
- (8) MOUNTING BUTTONS, Yellow
- (8) SCREWS, M4 x 25mm Phillips Head Cap
- (2) FLAGS, Latching
- (2) WASHERS, Nylon .500" OD x .312" ID x .0312"
- (4) BUMPERS, Rubber (Attached to Mount)
- (2) SCREWS, 10-24 x .5 FH Undercut
- (2) NUTS, Nylock 10-24



Static Wall Mount  
Components

### Lateral Shift Components

- (2) LATERAL SHIFT EXTRUSIONS
- (4) STUDS, 5/16-18 Threaded
- (4) NUTS, T-slot 5/16-18
- (4) WASHERS, Lock 5/16
- (4) WASHERS, Flat 5/16
- (4) SCREWS, Panhead Self Tapping  
8 x .25
- (4) NUTS, Hex 5/16-18



Lateral Shift  
Components

**WARNING: IMPROPER INSTALLATION MAY RESULT IN SERIOUS PERSONAL INJURY!**  
**CAUTION: PLASMA DISPLAYS ARE EXTREMELY FRAGILE!**

# INSTALLATION INSTRUCTIONS

## *READ COMPLETELY BEFORE PROCEEDING*

### Assemble Lateral Shift

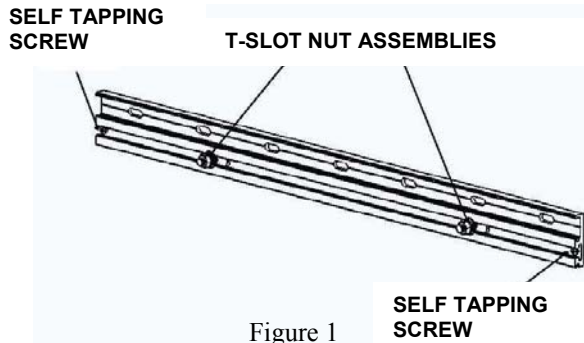


Figure 1

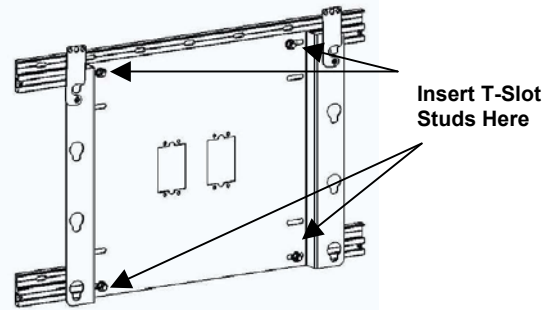


Figure 2

1. Install the four threaded studs into the four T-slot nuts.
2. Insert two T-slot nut assemblies into each of the lateral shift extrusions (Figure 1).
3. Insert one self-tapping screw into each end of the extrusions to trap T-slot nut assemblies in the tracks (Figure 1).
4. Connect lateral shift extrusions to the plasma static wall mount by inserting the T-slot studs into holes and secure using four flat washers, four lock washers, and four hex nuts (Figure 2).

### Mount Lateral Shift

1. Locate and mark stud locations at desired mounting place.
2. Select four mounting holes in the lateral shift extrusions that will align with the stud pattern and mark at least two mounting holes per extrusion at the stud locations.

**WARNING: Your mounting structure must be capable of supporting four times the combined weight of the plasma and the mount.**

3. Mount the extrusions using a minimum of four anchors.

### Mount Plasma

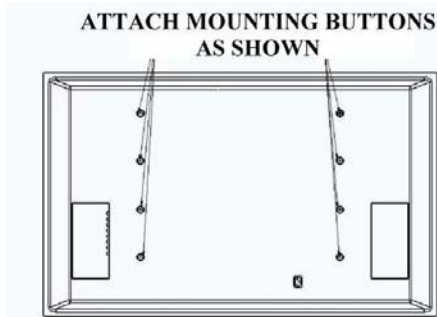


Figure 2

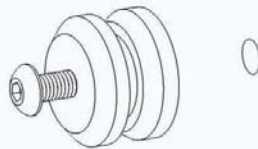


Figure 3

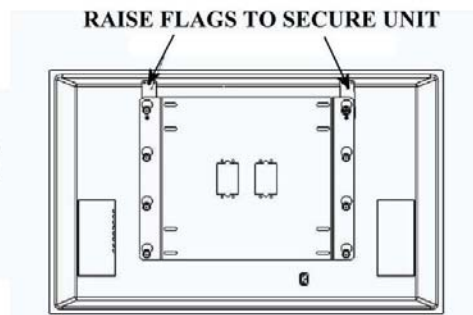


Figure 4

1. Attach mounting buttons to plasma using one Phillips head cap screw per mounting button (Figures 2 & 3).
2. Using two 10-24 x .5 FH undercut screws, Nylon washers between safety latch and mount, and 10-24 Nylock nuts, install the safety latches loose enough to move but tight enough to remain in place when raised.
3. Make sure the latching flags on the mount are lowered to the side before attempting to place the plasma on the mount.
4. With the aid of another person, lift the plasma display up to the mount. Align the mounting buttons on the plasma with the teardrop slots on the mount and set the plasma into place (Figure 4).
5. Raise latching flags to secure the plasma.