

INSTALLATION INSTRUCTIONS

ELEPHIL-PRO Mounting Bracket

Prior to assembly, unpack carton completely and verify contents. If you are missing any of the following components, please contact Technical Support at 1-800-776-5768.

- (1) PLASMA STATIC BRACKET, Left
- (1) PLASMA STATIC BRACKET, Right
- (1) ALLEN KEY, 1/8
- (8) SCREWS, M4 -.7 x 12mm Phillips Head Cap
- (4) MOUNTING BUTTONS
- (4) SCREWS, 10-24 Flat Head Cap

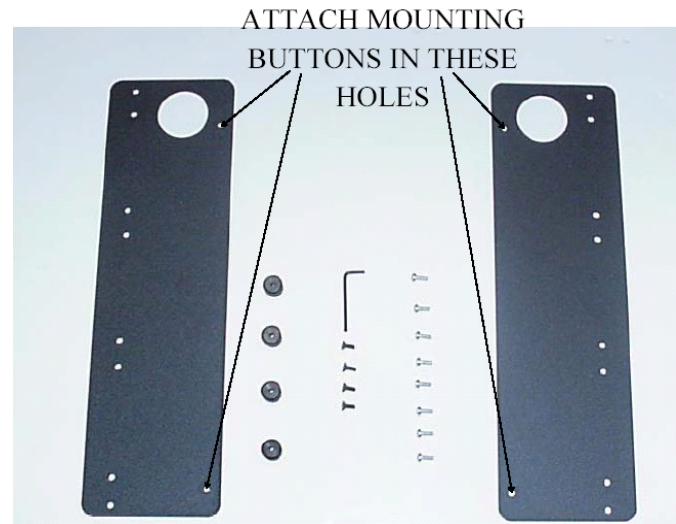


Figure 1

CAUTION: PLASMA DISPLAYS ARE EXTREMELY FRAGILE!

**READ INSTALLATION INSTRUCTIONS COMPLETELY
BEFORE PROCEEDING**

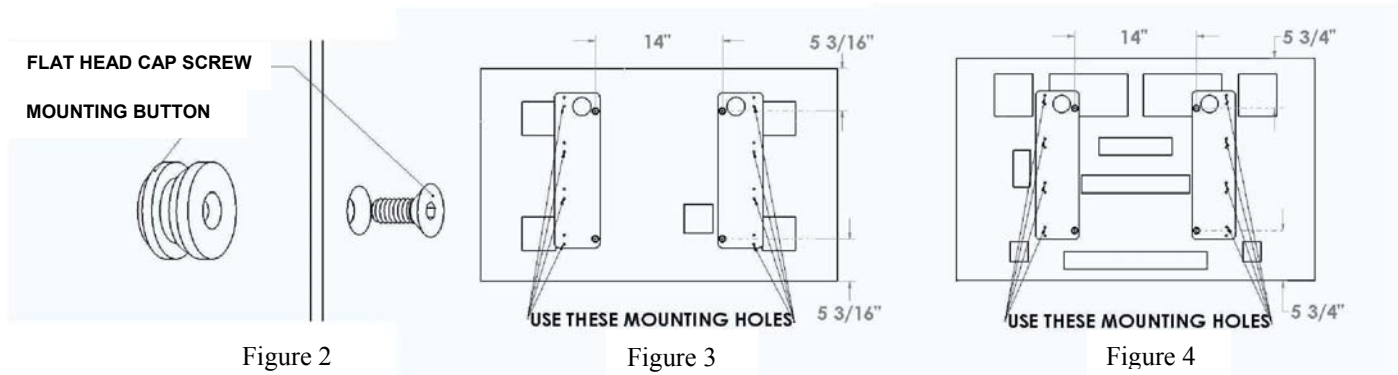


Figure 2

Figure 3

Figure 4

1. Using the flat head cap screws, secure the mounting buttons to the holes of the bracket shown in Figure 1. Screws should be inserted into the chamfered side of the bracket holes with the chamfered hole on the mounting button facing the bracket, as shown in Figure 2. Allen key provided.
2. With mounting buttons facing out, set brackets against the back of the plasma display. Center the mounting buttons in a 14" square pattern by aligning the outside holes of the brackets with the hole pattern on the plasma that best centers the buttons. Secure using the Phillips head cap screws (Figure 3 & 4).
3. Confirm that the mount latching flags are lowered. With the aid of another person, lift plasma display up to the mount. Align bracket mounting buttons with teardrop slots in the mount and set plasma into place.
4. Raise latching flags on the mount to secure plasma display, making sure latches are completely engaged.