

# INSTALLATION INSTRUCTIONS

## ELEPION43-SM Static Wall Mount

Prior to assembly, unpack carton completely and verify contents. If you are missing any of the following components, please contact Technical Support at 1-800-776-5768.

- (1) Plasma Static Mount
- (2) 10-24 x .5 FH Undercut Screw
- (2) Latching Flag
- (2) Nylon Washer
- (6) M8 x 25mm Button Head Cap Screws
- (1) 10-24 Nylock Nut
- (6) Mounting Buttons-Black Zinc
- (1) M5 Hex Key

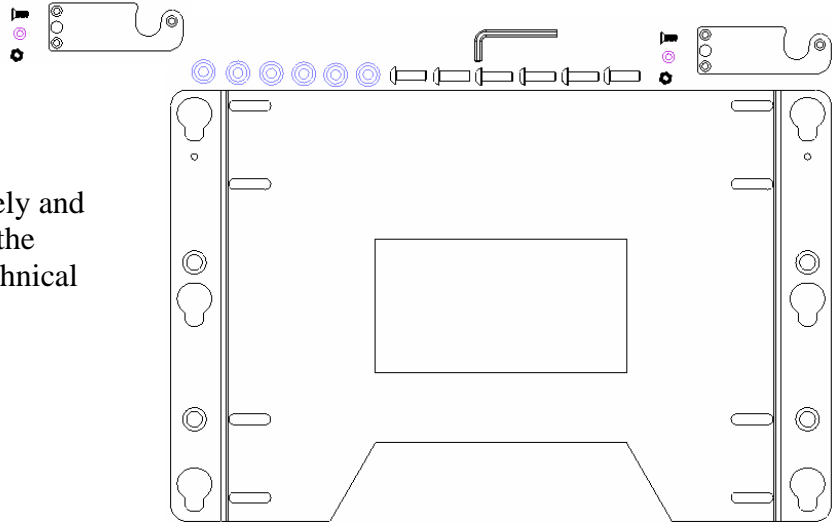


Figure 1

**CAUTION: PLASMA DISPLAYS ARE EXTREMELY FRAGILE!**

### *READ INSTALLATION INSTRUCTIONS COMPLETELY BEFORE PROCEEDING*

1. Attach latching flags to mount using two 10-24 undercut screws, Nylon washers, and Nylock nuts (see Figure 2). Tighten until friction will hold the flag in place.
2. Attach mounting buttons to the display using six M8 screws provided (see Figure 3 & Figure 4).

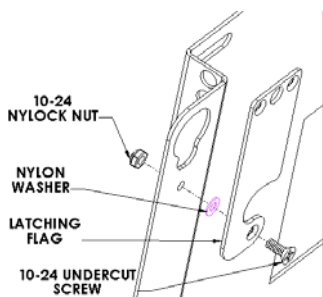


Figure 2

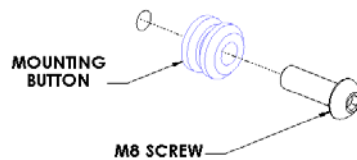


Figure 3

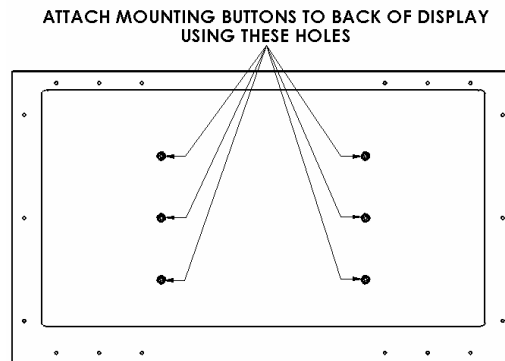


Figure 4

# WARNING

**ALL COMPONENTS MUST BE SECURELY FASTENED TO A STRUCTURAL MEMBER CAPABLE OF SUPPORTING FOUR TIMES THE COMBINED WEIGHT OF ALL COMPONENTS PLUS THE EQUIPMENT BEING MOUNTED. IF IT CANNOT SUPPORT THIS WEIGHT, THE STRUCTURE MUST BE REINFORCED. THE MAXIMUM WEIGHT TO BE INSTALLED ON THE MOUNT IS 150 POUNDS (68.04 KG).**

3. Securely anchor the plasma static mount to wall studs or supporting framework (see WARNING).
4. Make sure the flags are lowered to the side before attempting to place the display on the mount.
5. With the aid of another person, lift the display up to the mount, align the mounting buttons on the display with the teardrop slots in the mount, and set the display into place (see Figure 5).
6. Position (raise) the flags to secure the display.

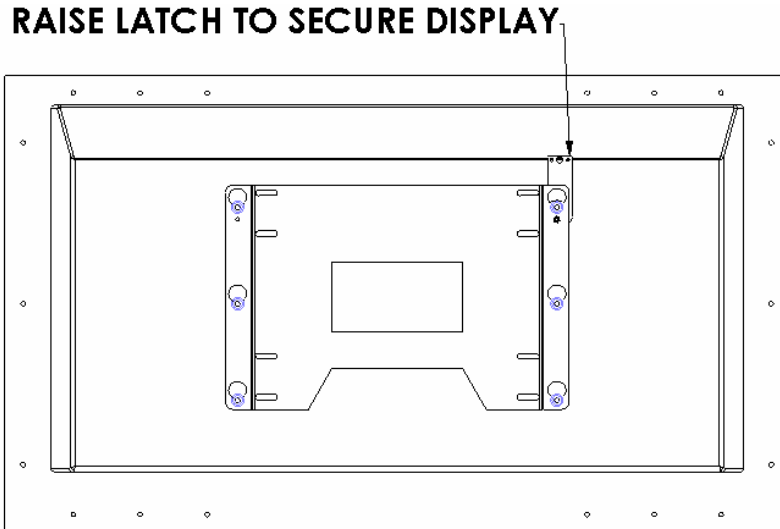


Figure 5