

INSTALLATION INSTRUCTIONS

ELEPION-CM Mounting Bracket

Prior to assembly, unpack carton completely and verify contents. If you are missing any of the following components, please contact Technical Support at 1-800-776-5768.

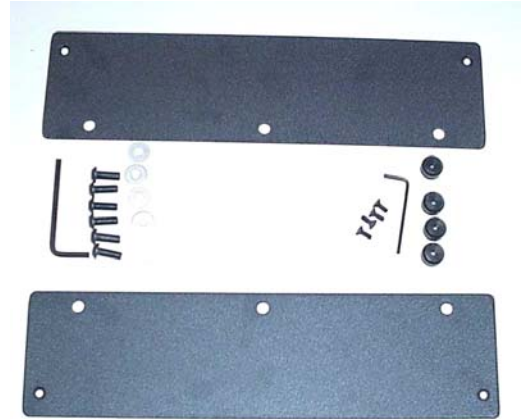


Figure 1

- (2) Plasma Static Mount Bracket
- (4) Mounting Buttons
- (6) M8-1.25 x 20mm Button HCS

- (1) 5mm Allen Key
- (4) 10-24 Flat head Cap Screws
- (1) 1/8" Allen Key

CAUTION: PLASMA DISPLAYS ARE EXTREMELY FRAGILE!

READ INSTALLATION INSTRUCTIONS COMPLETELY BEFORE PROCEEDING

1. Using a 10-24 flat head cap screw inserted from chamfered hole side of bracket, secure mounting button using spacer washers behind the mounting button, with chamfered hole of mounting button (larger surface) facing bracket, to bracket (four places). See Figure 2.
2. Align hole pattern on brackets with pattern on back of Plasma Display and attach using enclosed cap screws (see Figure 2).
3. With the aid of another person, lift Plasma Display up to the mount, aligning buttons of mounting brackets with slots in the mount.

CAUTION If the latches will not travel to the full upright position, remove and reseal the display.

4. Lower safety catches to secure Plasma Display, making sure catches are completely engaged.

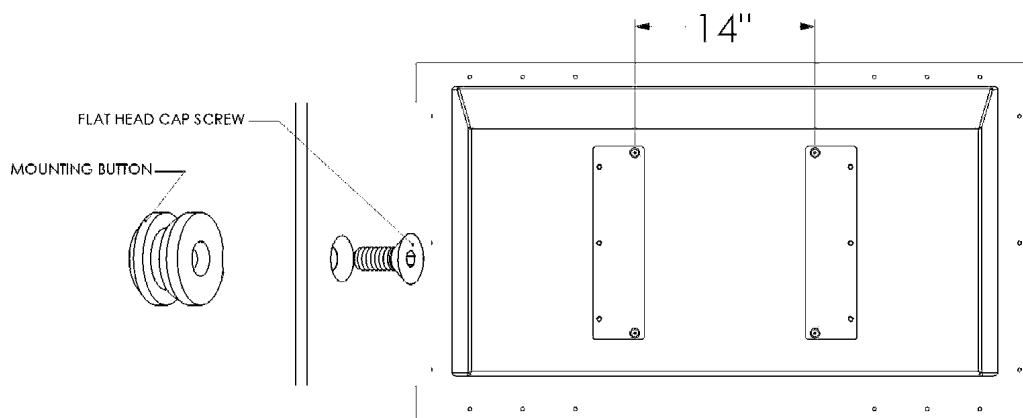


Figure 2