

INSTALLATION INSTRUCTIONS

ELESAM42-PRO Mounting Bracket

Prior to assembly, unpack carton completely and verify contents. If you are missing any of the following components, please contact Technical Support at 1-800-776-5768.

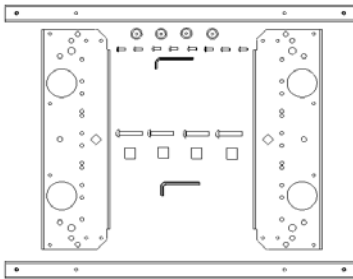


Figure 1

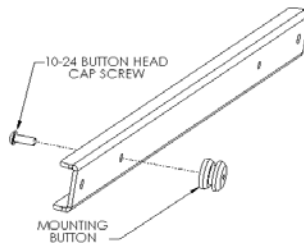


Figure 2

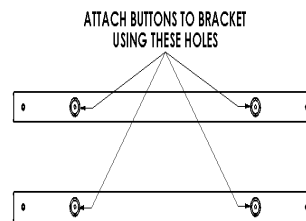


Figure 3

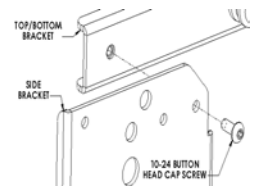


Figure 4

- | | |
|-------------------------------------|--------------------------------------|
| (2) Plasma Side Bracket | (12) Plasma top/Bottom Bracket |
| (4) Mounting Buttons-Tapped 10-24 | (8) 10-24 x .5 Button Head Cap Screw |
| (4) M8 X 40mm Button Head Cap Screw | (4) .74 x .39 x .1.0 Nylon Spacer |
| (1) 1/8" Allen Key | (1) M5 Allen Key |

CAUTION: PLASMA DISPLAYS ARE EXTREMELY FRAGILE!

**READ INSTALLATION INSTRUCTIONS COMPLETELY
BEFORE PROCEEDING**

Instructions

1. Prior to assembly, unpack carton completely and verify contents. Refer to Figure 1.
2. Using a 10-24 button head cap screw inserted from back side of bracket, secure mounting button, with chamfered hole of mounting button (larger surface) facing bracket, to top and bottom brackets (four places) (see Figure 2 & Figure 3).

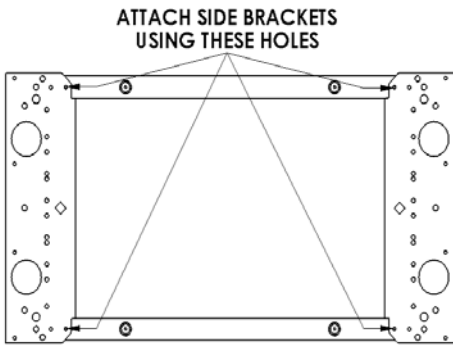


Figure 5

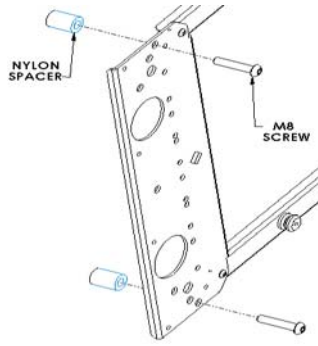


Figure 6

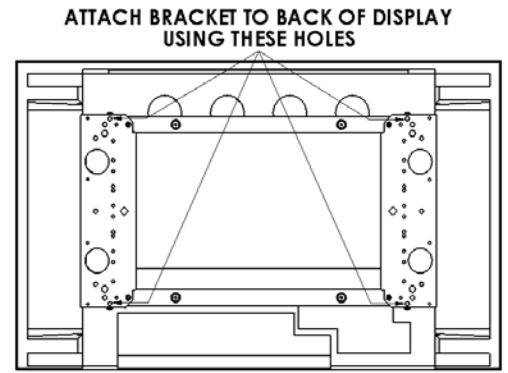


Figure 7

Instructions (cont'd)

3. Using four 10-24 button head cap screws, attach top and bottom to side brackets (see Figure 4 & Figure 5).
4. Place Nylon spacers over mounting holes on back of screen. Attach mounting brackets to display using M8 screws (see Figure 6 & Figure 7).
5. With the aid of another person, lift your display up to the mount, aligning buttons of mounting brackets with slots in the mount.
6. Lower safety latch on the mount to secure your display, making sure latch is completely engaged.