

INSTALLATION INSTRUCTIONS

ELESAM63-SM Static Wall Mount

Prior to assembly, unpack carton completely and verify contents. If you are missing any of the following components, please contact Technical Support at 1-800-776-5768.

- (1) PLASMA STATIC WALL MOUNT
- (2) LATCH, SAFETY
- (2) 10-24 X .5 FH UNDERCUT SCREW
- (2) WASHER, NYLON
- (2) NUT, NYLOCK, 10-24
- (6) MOUNTING BUTTONS-NYLON STEPPED-PAN STYLE
- (6) M8-1.25 X 35MM BHCS
- (1) M5 ALLEN KEY

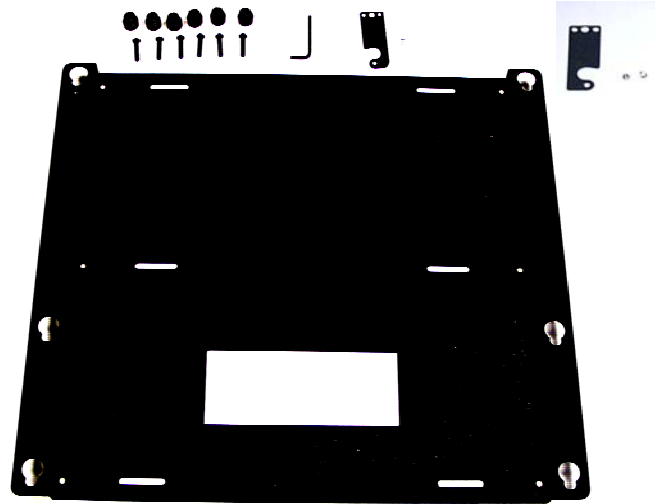


Figure 1

CAUTION: PLASMA DISPLAYS ARE EXTREMELY FRAGILE!

READ INSTALLATION INSTRUCTIONS COMPLETELY BEFORE PROCEEDING

1. Using a 10-24 flat head cap screw inserted from chamfered hole side of each latching flag, install flags using Nylock nut (see Figure 2). Tighten nut until the flag will hold itself in place using friction.
2. Place nylon mounting buttons on mounting holes and attach using M8-1.25 x 35 mm BHCS (See Figures 3 & 4).

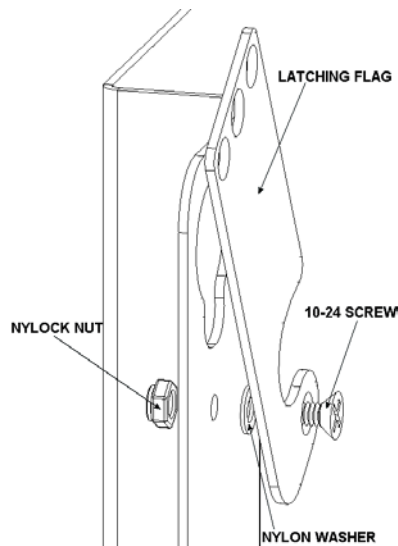


Figure 2

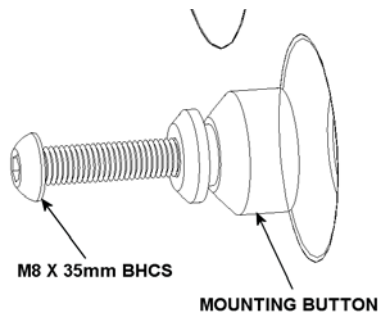


Figure 3

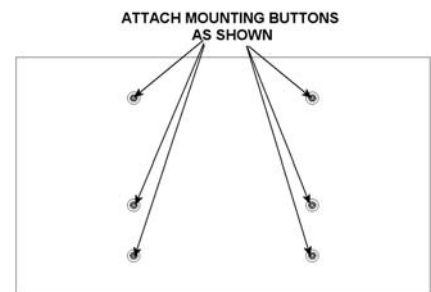


Figure 4

WARNING!

ALL COMPONENTS MUST BE SECURELY FASTENED TO A STRUCTURAL MEMBER CAPABLE OF SUPPORTING 4 TIMES THE COMBINED WEIGHT OF ALL COMPONENTS PLUS THE EQUIPMENT BEING MOUNTED. IF IT CANNOT SUPPORT THIS WEIGHT, THE STRUCTURE MUST BE REINFORCED. THE MAXIMUM WEIGHT TO BE INSTALLED ON THE MOUNT IS 150 POUNDS (68.04 KG).

2. Securely anchor plasma static mount to the wall using wall studs or supporting framework (see WARNING).
3. Make sure the flags are lowered to the side before attempting to place the plasma on the mount.
4. With the aid of another person, lift the plasma display up to the mount, align the mounting buttons on the plasma with the teardrop slots in the mount, and set the plasma into place (see Figure 5).
5. Position (raise) the flags to secure the plasma (see Figure 5).

Raise Flags to Secure Display

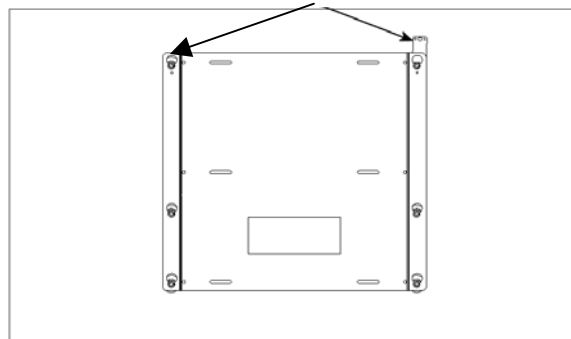


Figure 5