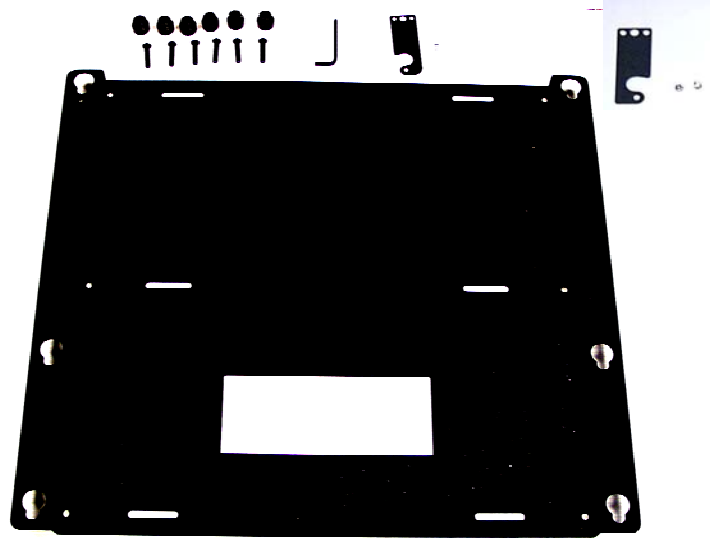

INSTALLATION INSTRUCTIONS

ELESAM63-SML Static Wall Mount With Lateral Shift

Prior to assembly, unpack carton completely and verify contents. If you are missing any of the following components, please contact Technical Support at 1-800-776-5768.



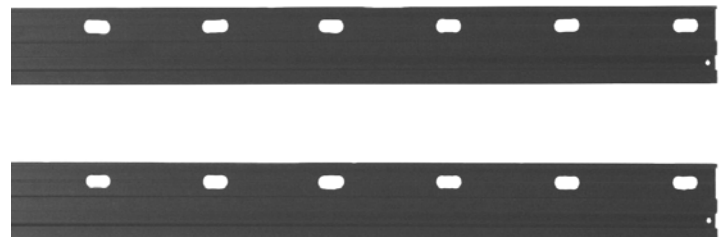
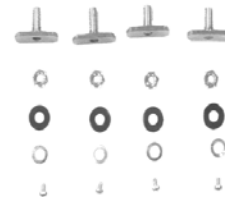
Static Wall Mount Components

- (1) PLASMA STATIC WALL MOUNT
- (2) LATCH, SAFETY
- (2) 10-24 X .5 FH UNDERCUT SCREW
- (2) WASHER, NYLON
- (2) NUT, NYLOCK, 10-24
- (6) MOUNTING BUTTONS-NYLON STEPPED-PAN STYLE
- (6) M8-1.25 X 35MM BHCS
- (1) M5 ALLEN KEY

Lateral Shift Components

- (2) LATERAL SHIFT EXTRUSIONS
- (4) STUDS, 5/16-18 Threaded
- (4) NUTS, T-slot 5/16-18
- (4) WASHERS, Lock 5/16
- (4) WASHERS, Flat 5/16
- (4) SCREWS, Panhead Self Tapping
8 x .25
- (4) NUTS, Hex 5/16-18

Lateral Shift
Components



WARNING: IMPROPER INSTALLATION MAY RESULT IN SERIOUS PERSONAL INJURY!

CAUTION: PLASMA DISPLAYS ARE EXTREMELY FRAGILE!

INSTALLATION INSTRUCTIONS

READ COMPLETELY BEFORE PROCEEDING

Assemble Lateral Shift

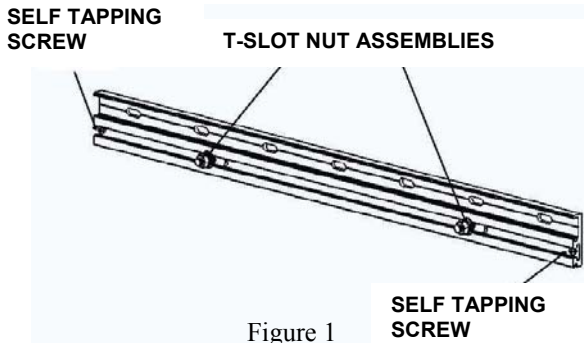


Figure 1

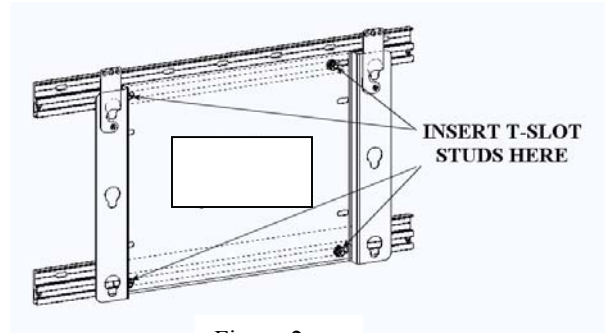


Figure 2

1. Install the four threaded studs into the four T-slot nuts.
2. Insert two T-slot nut assemblies into each of the lateral shift extrusions (Figure 1).
3. Insert one self-tapping screw into each end of the extrusions to trap T-slot nut assemblies in the tracks (Figure 1).
4. Connect lateral shift extrusions to the plasma static wall mount by inserting the T-slot studs into holes and secure using four flat washers, four lock washers, and four hex nuts (Figure 2).

Mount Lateral Shift

1. Locate and mark stud locations at desired mounting place.
2. Select four mounting holes in the lateral shift extrusions that will align with the stud pattern and mark at least two mounting holes per extrusion at the stud locations.

WARNING: Your mounting structure must be capable of supporting four times the combined weight of the plasma and the mount.

3. Mount the extrusions using a minimum of four anchors.

Mount Plasma

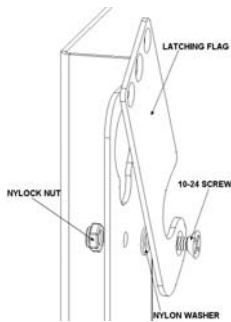


Figure 2

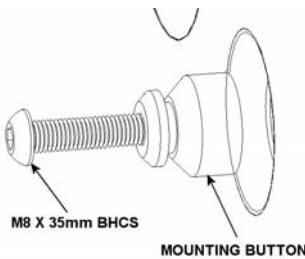


Figure 3

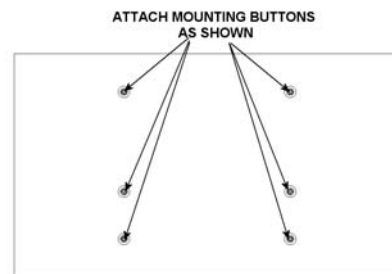


Figure 4

1. Using a 10-24 flat head cap screw inserted from chamfered hole side of each latching flag, install flags using Nylock nut (see Figure 2). Tighten nut until the flag will hold itself in place using friction.
2. Place nylon mounting buttons on mounting holes and attach using M8-1.25 x 35 mm BHCS (See Figures 3 & 4).
3. Make sure the latches on the mount are lowered to the side before attempting to place the display on the mount.
4. With the aid of another person, lift the display up to the mount. Align the mounting buttons on the display with the teardrop slots on the mount and set the display into place.

CAUTION If the latches will not travel to the full upright position, remove and reseal the display.

5. While supporting the display, raise both latches to secure the display.