

INSTALLATION INSTRUCTIONS

ELESAM-PRO Mounting Bracket

Prior to assembly, unpack carton completely and verify contents. If you are missing any of the following components, please contact Technical Support at 1-800-776-5768.

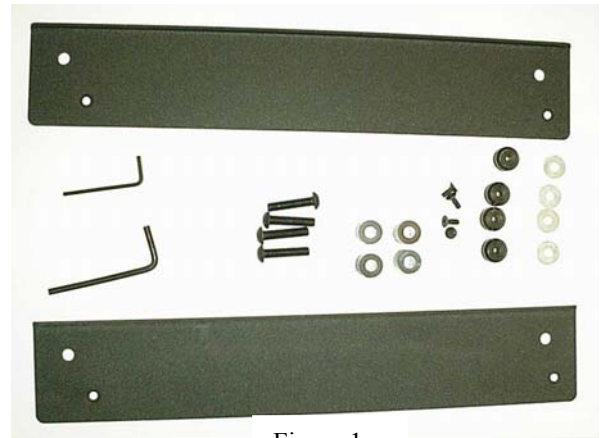


Figure 1

- | | |
|--|---------------------------------------|
| (1) PLASMA STATIC MOUNT LEFT BRACKET | (1) PLASMA STATIC MOUNT RIGHT BRACKET |
| (4) MOUNTING BUTTONS | (1) ALLEN KEY, 1/8" |
| (4) SCREWS, M8-1.25 X 35MM BUTTON HEAD CAP | (4) SCREW, 10-24 FLAT HEAD CAP |
| (1) ALLEN KEY, M5 | (4) SPACER, 20MM NYLON |
| (4) WASHER .75" OD X .26" ID X .045" | |

CAUTION: PLASMA DISPLAYS ARE EXTREMELY FRAGILE!

**READ INSTALLATION INSTRUCTIONS COMPLETELY
BEFORE PROCEEDING**

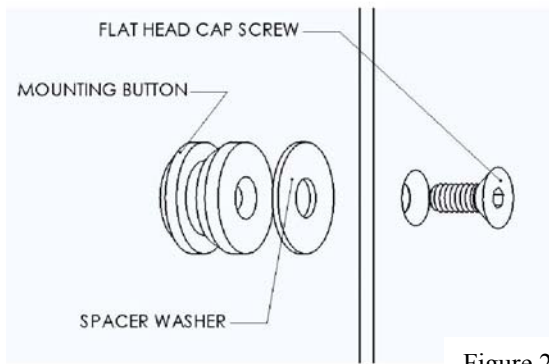
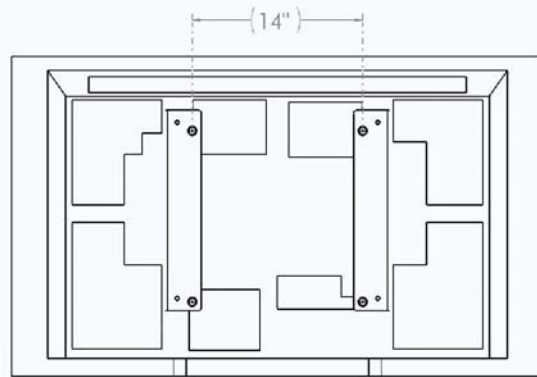


Figure 2



1. Using a 10-24 flat head cap screw inserted from chamfered hole side of bracket, secure mounting button, with chamfered hole of mounting button (larger surface) facing bracket place washer behind mounting button, to bracket (four places). See Figure 2. Allen key provided.
2. Place nylon spacers on mounting holes and align hole pattern on brackets with pattern on back of Plasma Display (see Figure 2). Be careful not to over tighten screws.
3. Confirm that the mount latching flags are lowered. With the aid of another person, lift plasma display up to the mount. Align bracket mounting buttons with teardrop slots in the mount and set plasma into place.
4. Raise latching flags on the mount to secure plasma display, making sure latches are completely engaged.