

# INSTALLATION INSTRUCTIONS

## ELESAN42 Mounting Bracket

Prior to assembly, unpack carton completely and verify contents. If you are missing any of the following components, please contact Technical Support at 1-800-776-5768.

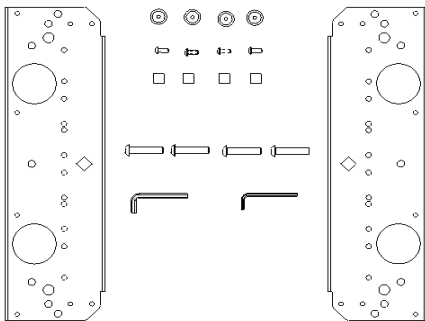


Figure 1 (See Table 1)

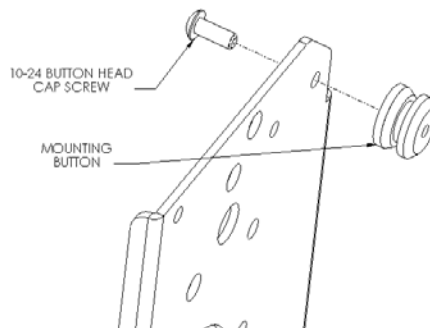


Figure 2

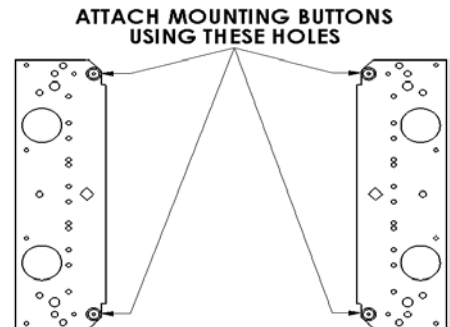


Figure 3

Table 1. PSB-2211

(2) Plasma Side Bracket	(12) .75 x .266 x .313 Nylon Spacer
(4) Mounting Buttons-Tapped 10-24	(4) 10-24 x 1/2" Button Head Cap Screw
(12) M5 X 20mm Phillips Head Cap Screw	(1) 1/8" Allen Key

**CAUTION: PLASMA DISPLAYS ARE EXTREMELY FRAGILE!**

**READ INSTALLATION INSTRUCTIONS COMPLETELY  
BEFORE PROCEEDING**

### Instructions

1. Prior to assembly, unpack carton completely and verify contents. Refer to Figure 1 and Table 1.
2. Using a 10-24 x 1/2" button head cap screw inserted from back side of bracket through holes, secure mounting button, with chamfered hole of mounting button (larger surface) facing bracket, to bracket (four places) (see Figure 2 and Figure 3).

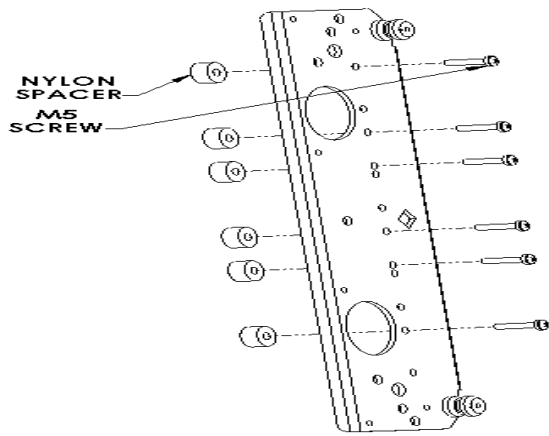


Figure 4

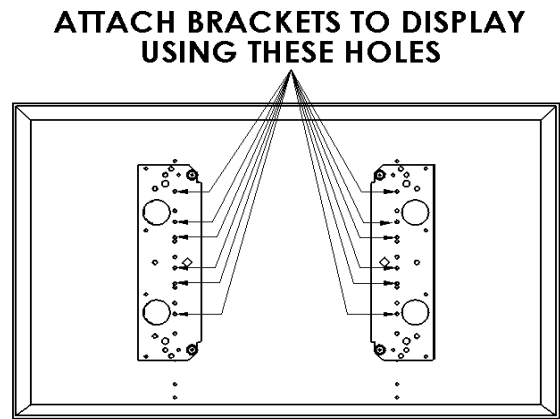


Figure 5

## Instructions (cont'd)

3. Place Nylon spacers on mounting holes and align hole pattern on brackets with pattern on back of display (see Figure 4 and Figure 5). Attach bracket using the M5 screws.
4. With the aid of another person, lift the display up to the mount, aligning buttons of mounting brackets with slots in the mount.
5. Lower safety catch on the mount to secure the display, making sure latch is completely engaged.