

INSTALLATION INSTRUCTIONS

ELEZEN42-SM Plasma Static Mount

Prior to assembly, unpack carton completely and verify contents. If you are missing any of the following components, please contact Technical Support at 1-800-776-5768.

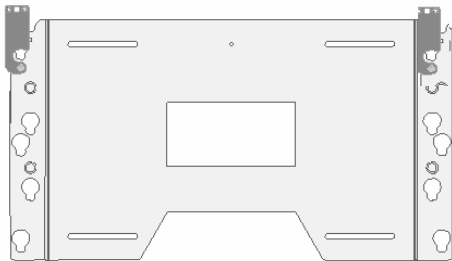


Table 1.

(1)	Plasma Side Bracket
(2)	10-24 Nylock Nut
(2)	10-24 x .5 Undercut FH Screw
(2)	Nylon Washer
(2)	Latching Flag
(6)	Mounting Buttons-Green
(6)	M5- .8 x 25mm Phillips Head Screw

CAUTION: PLASMA DISPLAYS ARE EXTREMELY FRAGILE!

**READ INSTALLATION INSTRUCTIONS COMPLETELY
BEFORE PROCEEDING**

Instructions

1. Attach latching flag to mount using the 10-24 Phillips head screw, Nylon washer, and Nylock nut using the inside set of holes for the 42" screens and the outside set of holes for the 50" screens (see Figure 2 & Figure 3). Tighten until friction will hold the flag in place.

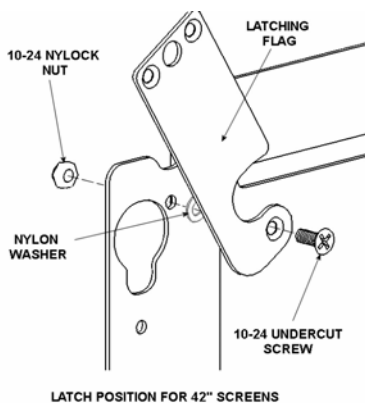


Figure 2

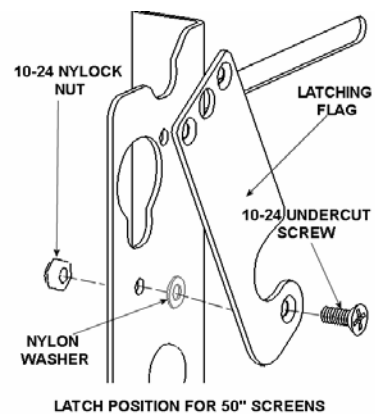


Figure 3

2. Attach mounting buttons to the display using the M5 screws provided (see Figure 4 & Figure 5).

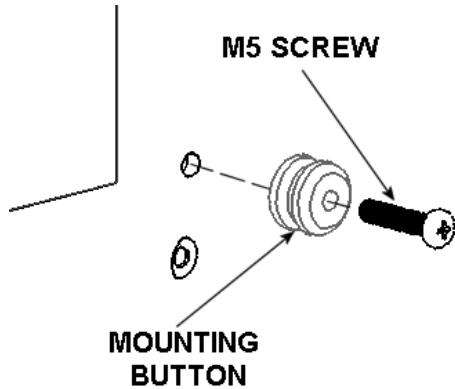


Figure 4

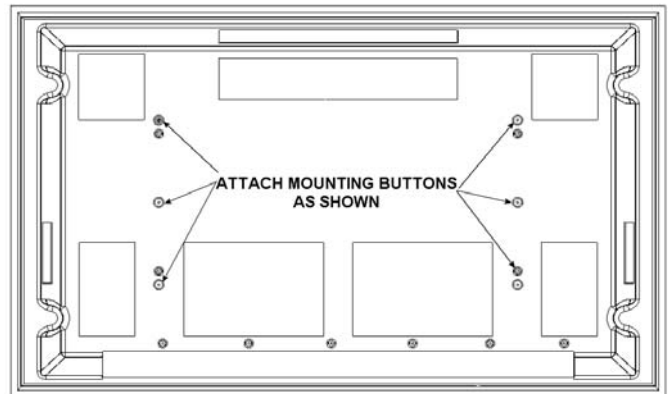


Figure 5

WARNING!

ALL COMPONENTS MUST BE SECURELY FASTENED TO A STRUCTURAL MEMBER CAPABLE OF SUPPORTING 4 TIMES THE COMBINED WEIGHT OF ALL COMPONENTS PLUS THE EQUIPMENT BEING MOUNTED. IF IT CANNOT SUPPORT THIS WEIGHT, THE STRUCTURE MUST BE REINFORCED. THE MAXIMUM WEIGHT TO BE INSTALLED ON THE MOUNT IS 150 POUNDS (68.04 KG).

Instructions (cont'd)

3. Mount plasma static mount to wall using wall studs or supporting framework. The mount, when anchored in place, must be capable of supporting four times the weight of the display and the mount.
4. With the aid of another person, lift the display up to the mount, aligning mounting buttons with the teardrop slots and setting into place (see Figure 6).
5. Raise safety latch to secure the display (see Figure 7).

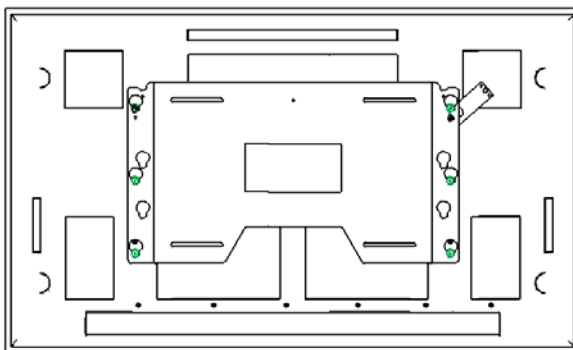


Figure 6

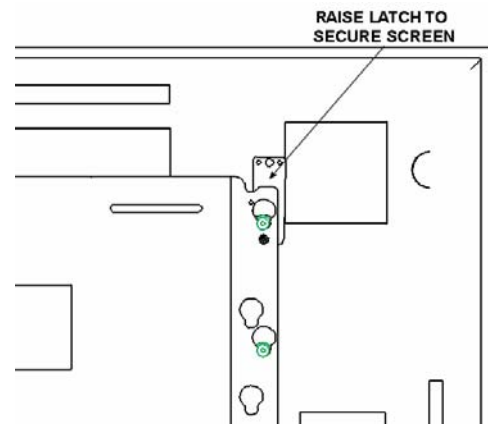


Figure 7