

INSTALLATION INSTRUCTIONS

ELEZEN50 Mounting Bracket

Prior to assembly, unpack carton completely and verify contents. If you are missing any of the following components, please contact Technical Support at 1-800-776-5768.

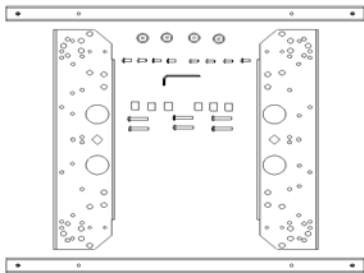


Figure 1 (See Table 1)

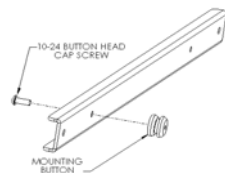


Figure 2

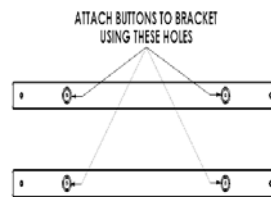


Figure 3

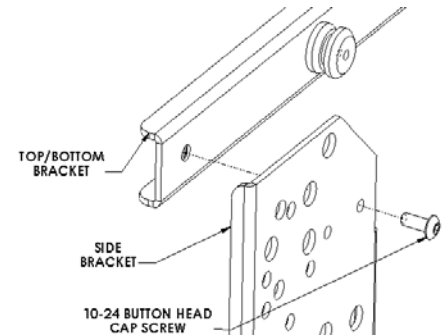


Figure 4

Table 1. PSB-2153

(2) Plasma Side Bracket	(2) Plasma Top/Bottom Bracket
(4) Mounting Button - Tapped	(8) 10-24 x .5 Button Head Cap Screw
(6) M5 X 25mm Phillips Head Cap Screw	(6) .500 x .316 x .500 Nylon Spacer
(1) 1/8" Allen Key	

CAUTION: PLASMA DISPLAYS ARE EXTREMELY FRAGILE!

**READ INSTALLATION INSTRUCTIONS COMPLETELY
BEFORE PROCEEDING**

Instructions

1. Prior to assembly, unpack carton completely and verify contents. Refer to Figure 1 and Table 1.
2. Using a 10-24 button head cap screw inserted from back side of bracket, secure mounting button, with chamfered hole of mounting button (larger surface) facing bracket, to top and bottom brackets (four places) (see Figure 2 and Figure 3).

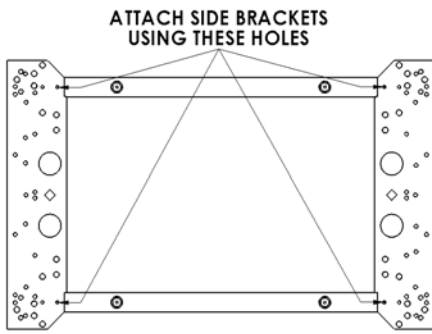


Figure 5

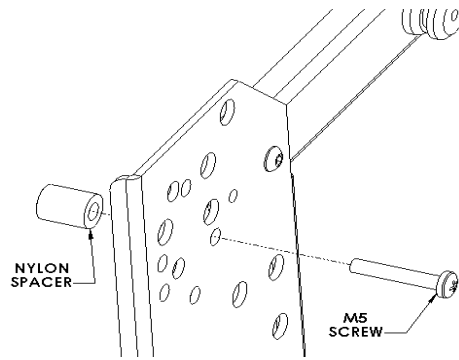


Figure 6

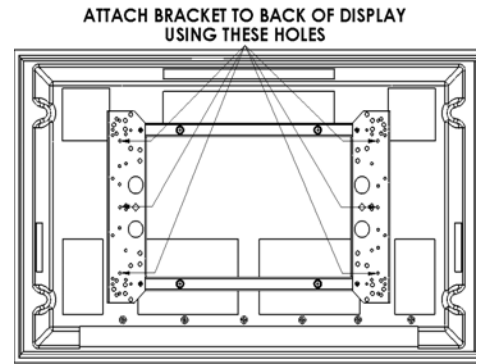


Figure 7

Instructions (cont'd)

3. Place Nylon spacers on mounting holes on back of screen (see Figure 4 and Figure 5). Attach brackets to display using the M5 screws (see Figure 6 and Figure 7).
4. With the aid of another person, lift the display up to the mount, aligning buttons of mounting brackets with slots in the mount.
5. Lower safety catch on the mount to secure the display, making sure latch is completely engaged.