

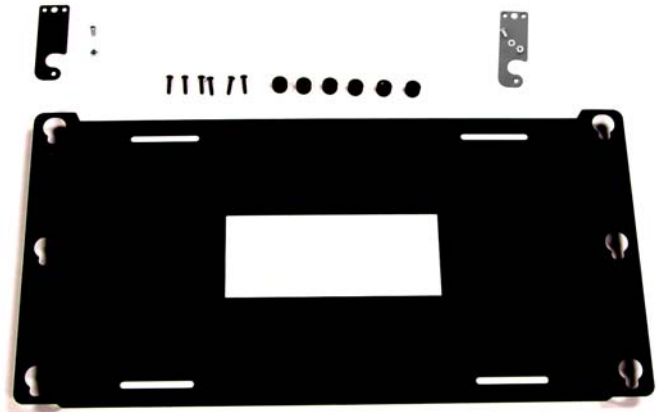
---

# INSTALLATION INSTRUCTIONS

---

## ELEZEN50-SML Static Wall Mount With Lateral Shift

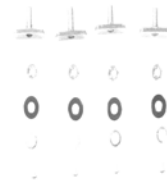
Prior to assembly, unpack carton completely and verify contents. If you are missing any of the following components, please contact Technical Support at 1-800-776-5768.



### Static Wall Mount Components

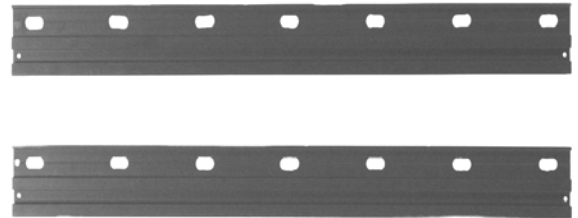
- (1) PLASMA STATIC WALL MOUNT
- (6) MOUNTING BUTTONS-Green
- (6) SCREWS, M8 x 25mm Button Head Cap
- (2) FLAGS, Latching
- (2) WASHERS, Nylon .500" OD x .312" ID x .0312"
- (2) SCREWS, 10-24 x .5 FH Undercut
- (2) NUTS, Nylock 10-24
- (1) KEY, Allen, 3mm

Static Wall Mount  
Components



### Lateral Shift Components

- (2) LATERAL SHIFT EXTRUSIONS
- (4) STUDS, 5/16-18 Threaded
- (4) NUTS, T-slot 5/16-18
- (4) WASHERS, Lock 5/16
- (4) WASHERS, Flat 5/16
- (4) SCREWS, Panhead Self Tapping 8 x .25
- (4) NUTS, Hex 5/16-18



Lateral Shift  
Components

**WARNING: IMPROPER INSTALLATION MAY RESULT IN SERIOUS PERSONAL INJURY!**

**CAUTION: PLASMA DISPLAYS ARE EXTREMELY FRAGILE!**

# INSTALLATION INSTRUCTIONS

## *READ COMPLETELY BEFORE PROCEEDING*

### Assemble Lateral Shift

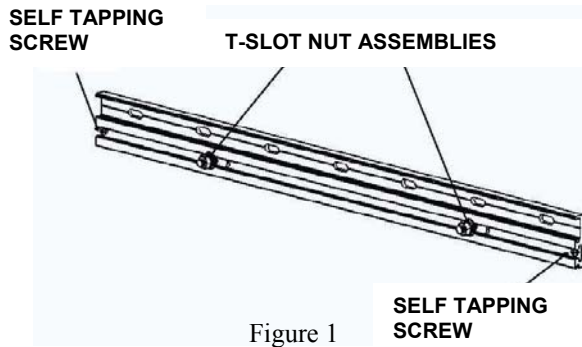


Figure 1

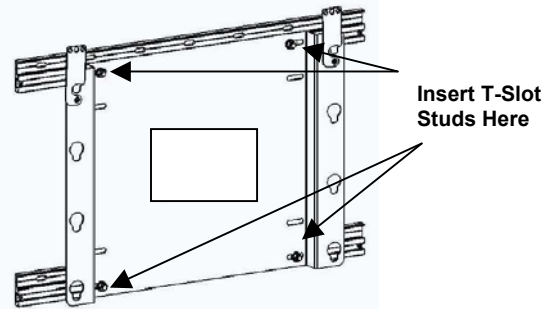


Figure 2

1. Install the four threaded studs into the four T-slot nuts.
2. Insert two T-slot nut assemblies into each of the lateral shift extrusions (Figure 1).
3. Insert one self-tapping screw into each end of the extrusions to trap T-slot nut assemblies in the tracks (Figure 1).
4. Connect lateral shift extrusions to the plasma static wall mount by inserting the T-slot studs into holes and secure using four flat washers, four lock washers, and four hex nuts (Figure 2).

### Mount Lateral Shift

1. Locate and mark stud locations at desired mounting place.
2. Select four mounting holes in the lateral shift extrusions that will align with the stud pattern and mark at least two mounting holes per extrusion at the stud locations.

**WARNING: Your mounting structure must be capable of supporting four times the combined weight of the plasma and the mount.**

3. Mount the extrusions using a minimum of four anchors.

### Mount Plasma

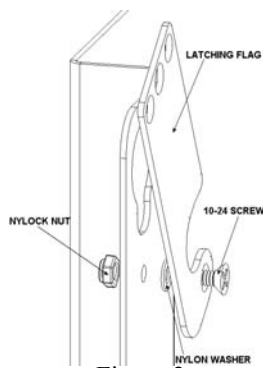


Figure 2

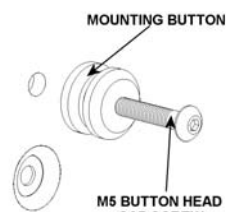


Figure 3

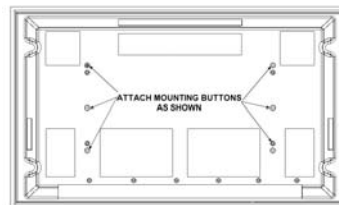


Figure 4

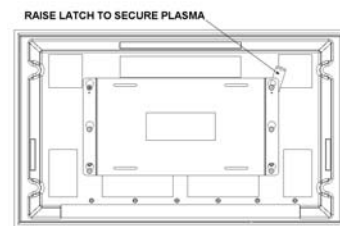


Figure 5

1. Attach latching flags to mount utilizing the two 10-24 Phillips head screw, nylon washers, and the nylock nuts (See Figure 2). Tighten until friction will hold the flag in place.
2. Attach mounting buttons to plasma using four M5 x 25 cap screws provided (See Figures 3 & 4).
3. Mount plasma static mount onto wall utilizing wall studs or supporting framework. The mount, when anchored in place, must be capable of supporting 4 times the weight of the plasma and mount.
4. With the aid of another person, lift plasma display up to the Chief mount, aligning mounting buttons with the teardrop slots and setting into place (See Figure 4).
5. Raise safety latches to secure plasma (See Figure 5).