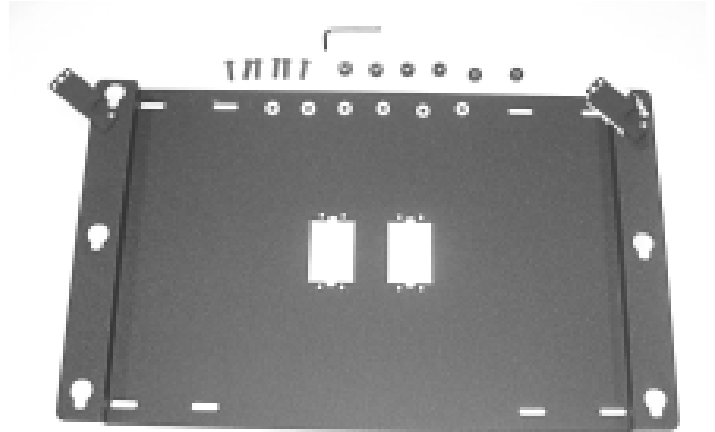

INSTALLATION INSTRUCTIONS

ELEZEN60-SML Static Wall Mount With Lateral Shift

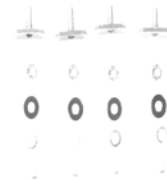
Prior to assembly, unpack carton completely and verify contents. If you are missing any of the following components, please contact Technical Support at 1-800-776-5768.



Static Wall Mount Components

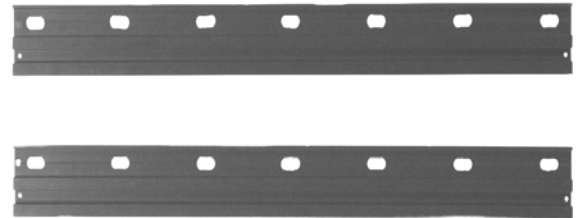
- (1) PLASMA STATIC WALL MOUNT
- (6) MOUNTING BUTTONS-Black Unthreaded
- (6) SCREWS, M8 x 25mm Button Head Cap
- (2) FLAGS, Latching
- (2) WASHERS, Nylon .500" OD x .312" ID x .0312"
- (6) WASHERS, Nylon .75 OD x .323 ID x .125"
- (2) SCREWS, 10-24 x .5 FH Undercut
- (2) NUTS, Nylock 10-24
- (1) KEY, Allen, 5mm

Static Wall Mount
Components



Lateral Shift Components

- (2) LATERAL SHIFT EXTRUSIONS
- (4) STUDS, 5/16-18 Threaded
- (4) NUTS, T-slot 5/16-18
- (4) WASHERS, Lock 5/16
- (4) WASHERS, Flat 5/16
- (4) SCREWS, Panhead Self Tapping 8 x .25
- (4) NUTS, Hex 5/16-18



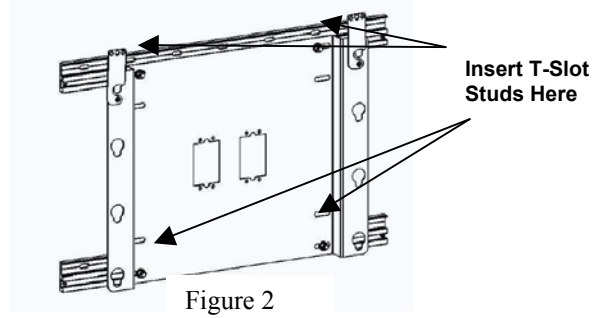
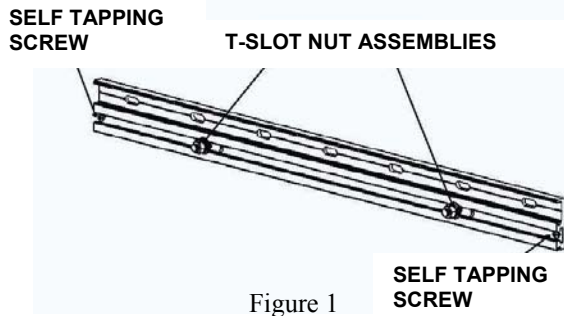
Lateral Shift
Components

WARNING: IMPROPER INSTALLATION MAY RESULT IN SERIOUS PERSONAL INJURY!

CAUTION: PLASMA DISPLAYS ARE EXTREMELY FRAGILE!

INSTALLATION INSTRUCTIONS
READ COMPLETELY BEFORE PROCEEDING

Assemble Lateral Shift



1. Install the four threaded studs into the four T-slot nuts.
2. Insert two T-slot nut assemblies into each of the lateral shift extrusions (see Figure 1).
3. Insert one self-tapping screw into each end of the extrusions to trap T-slot nut assemblies in the tracks (see Figure 1).
4. Connect lateral shift extrusions to the plasma static wall mount by inserting the T-slot studs into holes and secure using four flat washers, four lock washers, and four hex nuts (see Figure 2).

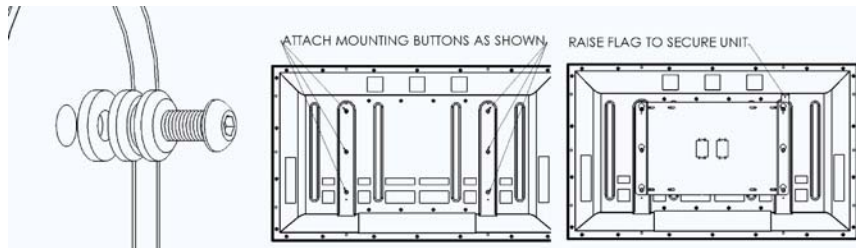
Mount Lateral Shift

1. Locate and mark stud locations at desired mounting place.
2. Select four mounting holes in the lateral shift extrusions that will align with the stud pattern and mark at least two mounting holes per extrusion at the stud locations.

WARNING: Your mounting structure must be capable of supporting four times the combined weight of the plasma and the mount.

3. Mount the extrusions using a minimum of four anchors.

Mount Plasma



1. Place 1 nylon washer under each mounting button, place on mounting holes and attach using M8 x 25 mm BHCS, 6 places (see Figure 3).
2. Using two 10-24 x .5 FH undercut screws, Nylon washers between safety latch and mount, and 10-24 Nylock nuts, install the safety latches loose enough to move but tight enough to remain in place when raised.
3. Mount plasma static mount onto wall utilizing wall studs or supporting framework. The mount, when anchored in place, must be capable of supporting 4 times the weight of the plasma and mount.

CAUTION! **PLASMA DISPLAYS ARE HEAVY AND EXTREMELY FRAGILE.**

4. With the aid of another person, lift plasma display up to the Chief mount, aligning mounting buttons with the teardrop slots and setting into place.
5. Raise safety latch to secure plasma in place.