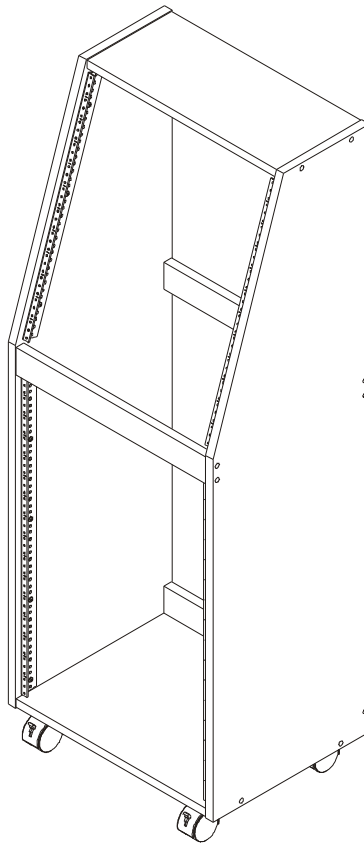

INSTALLATION INSTRUCTIONS




Economy Rack


DISCLAIMER


Milestone AV Technologies and its affiliated corporations and subsidiaries (collectively "Milestone"), intend to make this manual accurate and complete. However, Milestone makes no claim that the information contained herein covers all details, conditions or variations, nor does it provide for every possible contingency in connection with the installation or use of this product. The information contained in this document is subject to change without notice or obligation of any kind. Milestone makes no representation of warranty, expressed or implied, regarding the information contained herein. Milestone assumes no responsibility for accuracy, completeness or sufficiency of the information contained in this document.


Chief® is a registered trademark of Milestone AV Technologies. All rights reserved.


 **IMPORTANT SAFETY INSTRUCTIONS**

 **WARNING:** A WARNING alerts you to the possibility of serious injury or death if you do not follow the instructions.

 **CAUTION:** A CAUTION alerts you to the possibility of damage or destruction of equipment if you do not follow the corresponding instructions.

 **WARNING:** Failure to read, thoroughly understand, and follow all instructions can result in serious personal injury, damage to equipment, or voiding of factory warranty! It is the installer's responsibility to make sure all components are properly assembled and installed using the instructions provided.

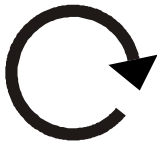

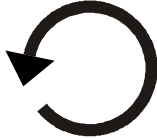

 **WARNING:** Failure to provide adequate structural strength for this component can result in serious personal injury or damage to equipment! It is the installer's responsibility to make sure the structure to which this component is attached can support five times the combined weight of all equipment. Reinforce the structure as required before installing the component.

 **WARNING:** Exceeding the weight capacity can result in serious personal injury or damage to equipment! It is the installer's responsibility to make sure the combined weight of all components located within the rack or on top of the rack does not exceed 150 lbs (68 kg). Use with products heavier than the maximum weight indicated may result in instability or collapse of the rack causing possible injury.

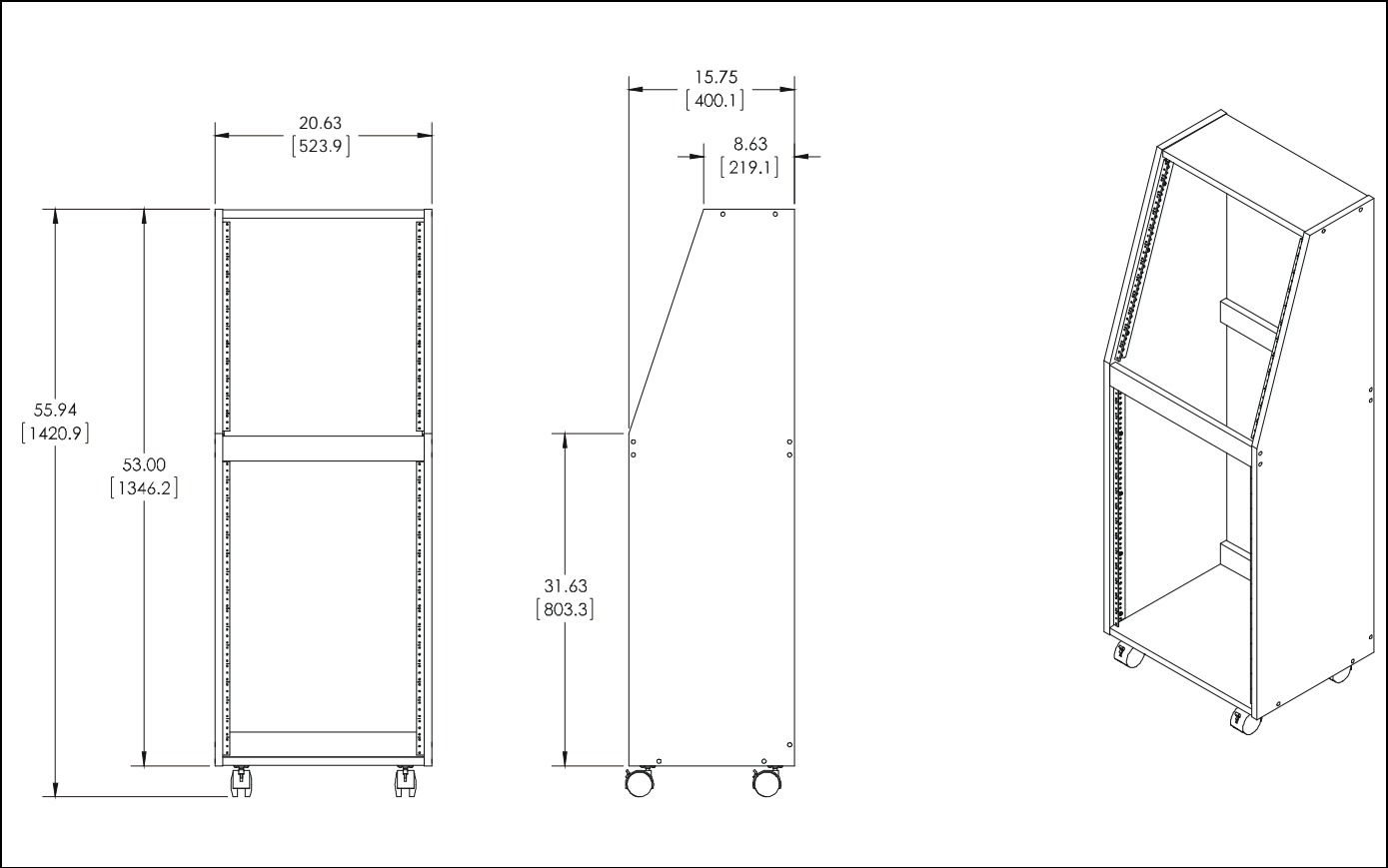
IMPORTANT ! : Minimum spacings between the Accessories and components and the (ITC/AV) Rack Enclosure shall be maintained for safe operation of the equipment when installed in accordance with the National Electric Code, ANSI/NFPA 70-2008. Operating temperature inside rack shall not exceed 104°F.

--SAVE THESE INSTRUCTIONS--

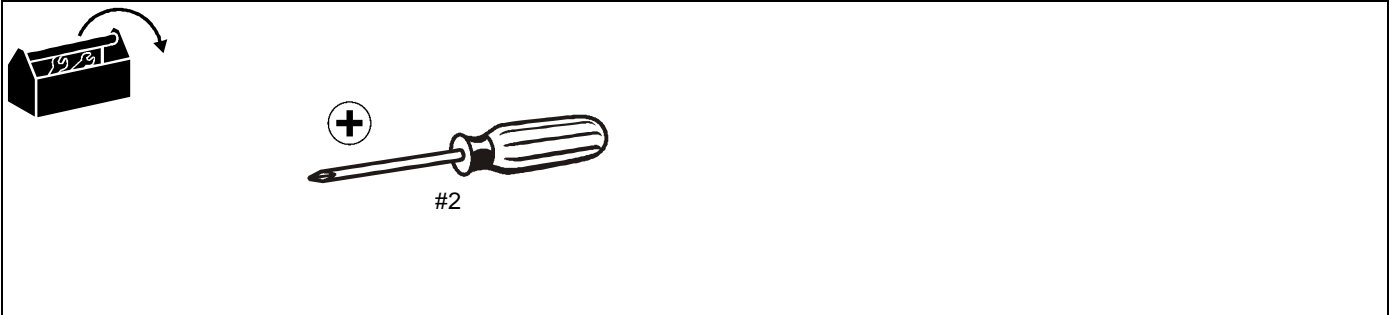
LEGEND

	Tighten Fastener		Phillips Screwdriver
	Apretar elemento de fijación		Destornillador Phillips
	Befestigungsteil festziehen		Kreuzschlitzschraubendreher
	Apertar fixador		Chave de fendas Phillips
	Serrare il fissaggio		Cacciavite a stella
	Bevestiging vastdraaien		Kruiskopschroevendraaier
	Serrez les fixations		Tournevis à pointe cruciforme
	Loosen Fastener		Open-Ended Wrench
	Aflojar elemento de fijación		Llave de boca
	Befestigungsteil lösen		Gabelschlüssel
	Desapertar fixador		Chave de bocas
	Allentare il fissaggio		Chiave a punta aperte
	Bevestiging losdraaien		Steeksleutel
Desserrez les fixations	Clé à fourche		

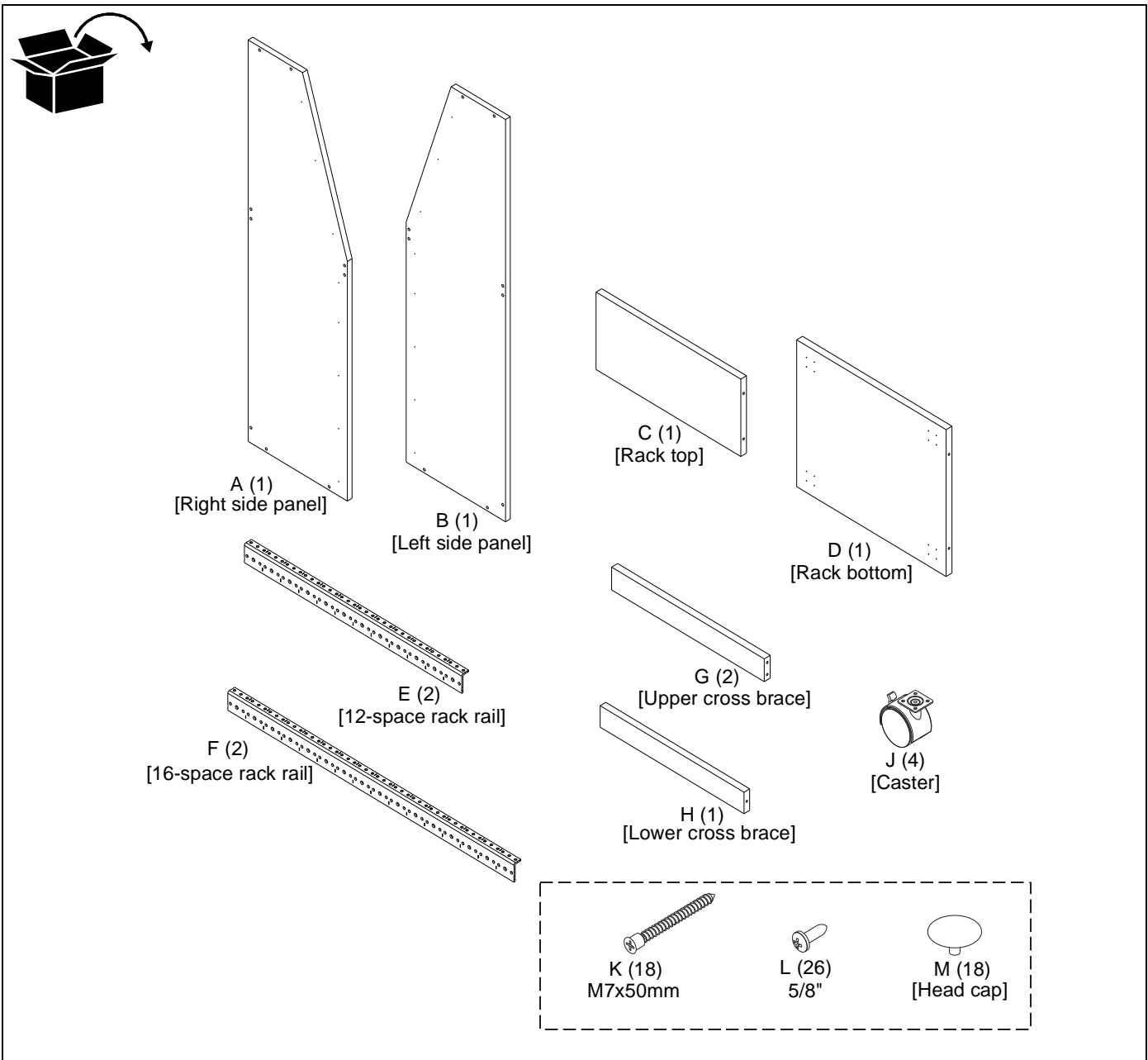
DIMENSIONS



TOOLS REQUIRED FOR INSTALLATION



PARTS



ASSEMBLY

1. Use six #10 x 5/8" wood screws (L) to secure two 12-space rack rails (E) to two side panels (A and B). (See Figure 1)
2. Use ten #10 x 5/8" wood screws (L) to secure two 16-space rack rails (F) to two side panels (A and B). (See Figure 1)
3. Secure rack top (C) to one side panel using two M7x50mm Phillips confirmat screws (K). Do not over tighten! (See Figure 2)
4. Secure the rack bottom (D) using two M7x50mm Phillips confirmat screws (K). Do not over tighten! (See Figure 2)
5. Secure two upper cross braces (G) to the front and back of the side panel using four M7x50 Phillips confirmat screws (K). (See Figure 2)
6. Secure rear cross brace (H) to the bottom of the side panel using one M7x50 Phillips confirmat screws (K). (See Figure 2)
7. Install nine caps (M) to installed confirmat screws (K). (See Figure 2)
8. Install remaining side panel (A) to the other side following Steps 3-7.

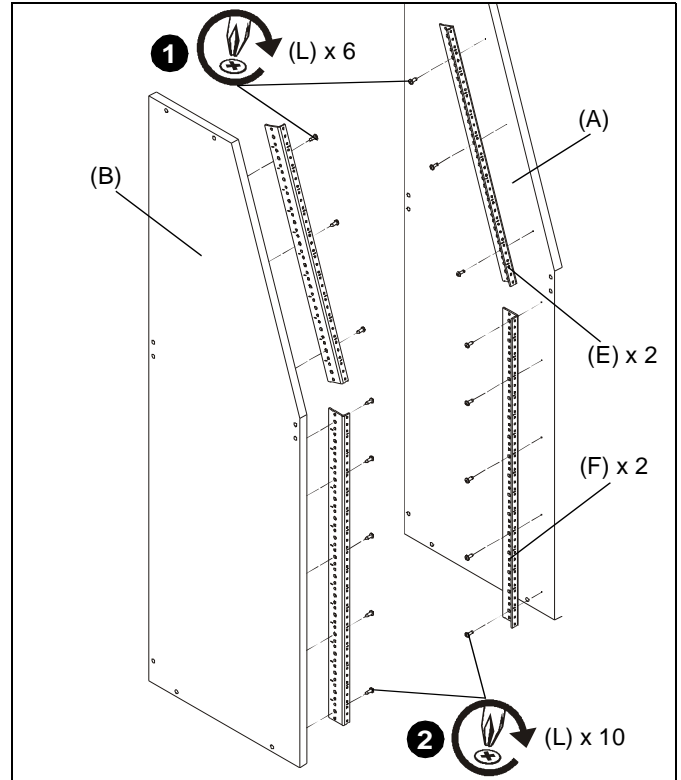


Figure 1

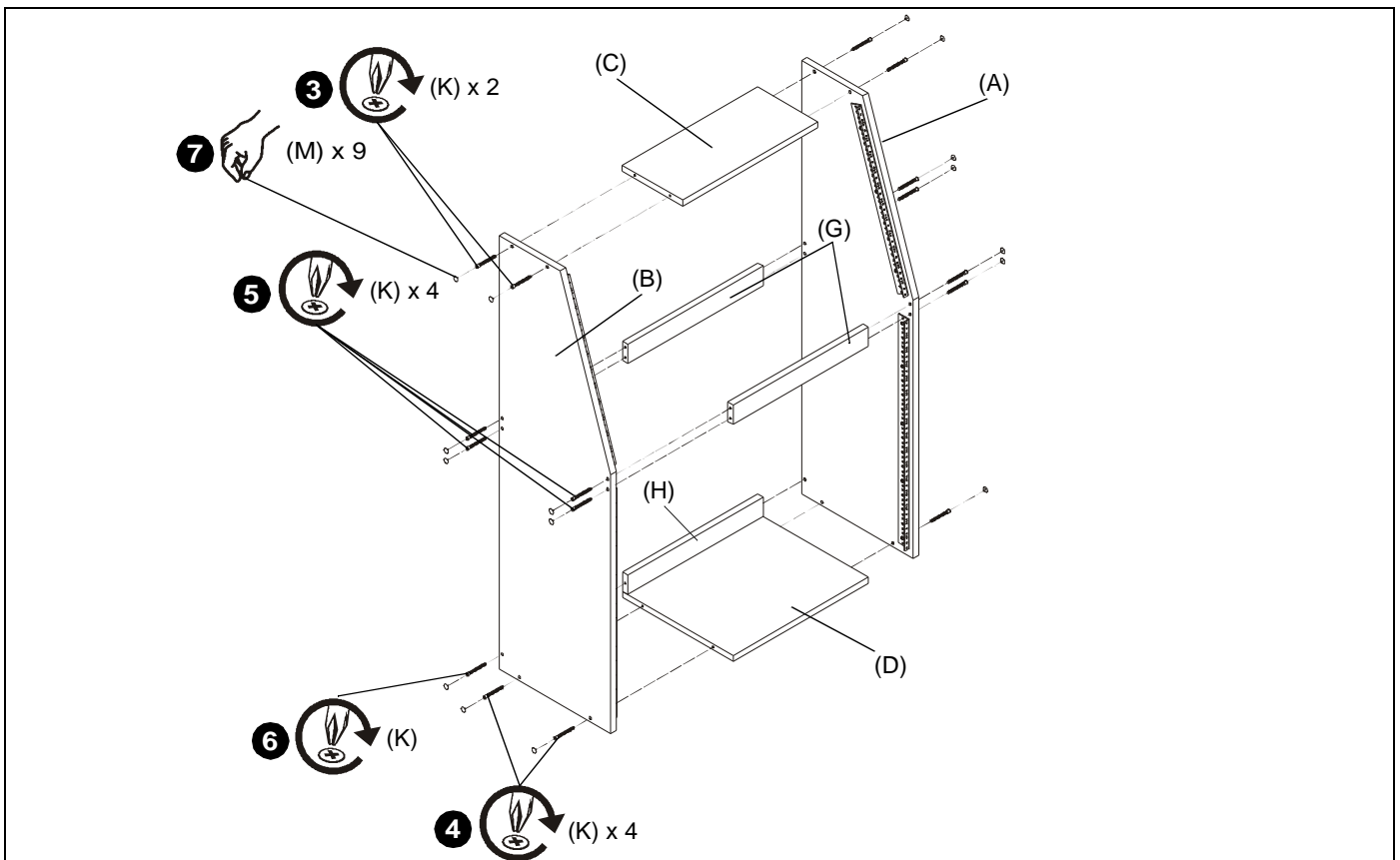


Figure 2

9. Carefully set assembled rack on its side. (See Figure 3)
10. Use remaining sixteen #10 x 5/8" wood screws (L) to secure four casters (J) to rack bottom (D). (See Figure 3)
11. Install components to rack as desired.

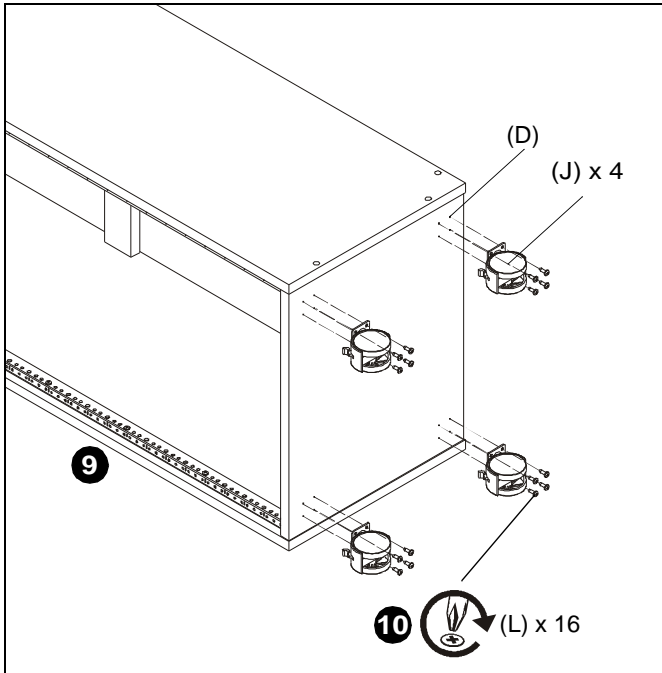


Figure 3



Our Mounts. **Your Vision.**

Chief, a products division of
Milestone AV Technologies

8800-002299 Rev01
©2017 Milestone AV Technologies
www.milestone.com
10/17

USA/International	A 6436 City West Parkway, Eden Prairie, MN 55344 P 800.582.6480 / 952.225.6000 F 877.894.6918 / 952.894.6918
Europe	A Franklinstraat 14, 6003 DK Weert, Netherlands P +31 (0) 495 580 852 F +31 (0) 495 580 845
Asia Pacific	A Office No. 918 on 9/F, Shatin Galleria 18-24 Shan Mei Street Fotan, Shatin, Hong Kong P 852 2145 4099 F 852 2145 4477

