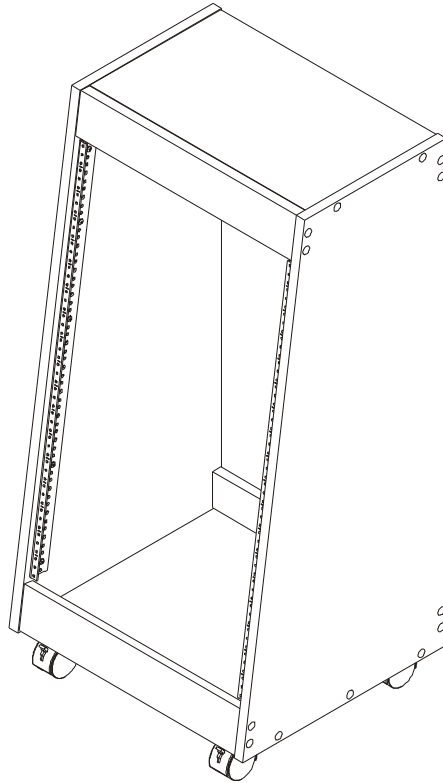


---

# INSTALLATION INSTRUCTIONS

---



---

## Slanted Economy Rack

---

## DISCLAIMER

Milestone AV Technologies and its affiliated corporations and subsidiaries (collectively "Milestone"), intend to make this manual accurate and complete. However, Milestone makes no claim that the information contained herein covers all details, conditions or variations, nor does it provide for every possible contingency in connection with the installation or use of this product. The information contained in this document is subject to change without notice or obligation of any kind. Milestone makes no representation of warranty, expressed or implied, regarding the information contained herein. Milestone assumes no responsibility for accuracy, completeness or sufficiency of the information contained in this document.

Chief® is a registered trademark of Milestone AV Technologies. All rights reserved.

## IMPORTANT SAFETY INSTRUCTIONS

**WARNING:** A WARNING alerts you to the possibility of serious injury or death if you do not follow the instructions.

**CAUTION:** A CAUTION alerts you to the possibility of damage or destruction of equipment if you do not follow the corresponding instructions.

**WARNING:** Failure to read, thoroughly understand, and follow all instructions can result in serious personal injury, damage to equipment, or voiding of factory warranty! It is the installer's responsibility to make sure all components are properly assembled and installed using the instructions provided.




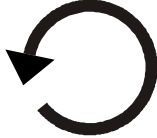
**WARNING:** Failure to provide adequate structural strength for this component can result in serious personal injury or damage to equipment! It is the installer's responsibility to make sure the structure to which this component is attached can support five times the combined weight of all equipment. Reinforce the structure as required before installing the component.

**WARNING:** Exceeding the weight capacity can result in serious personal injury or damage to equipment! It is the installer's responsibility to make sure the combined weight of all components located within the rack or on top of the rack does not exceed 150 lbs (68 kg). Use with products heavier than the maximum weight indicated may result in instability or collapse of the rack causing possible injury.

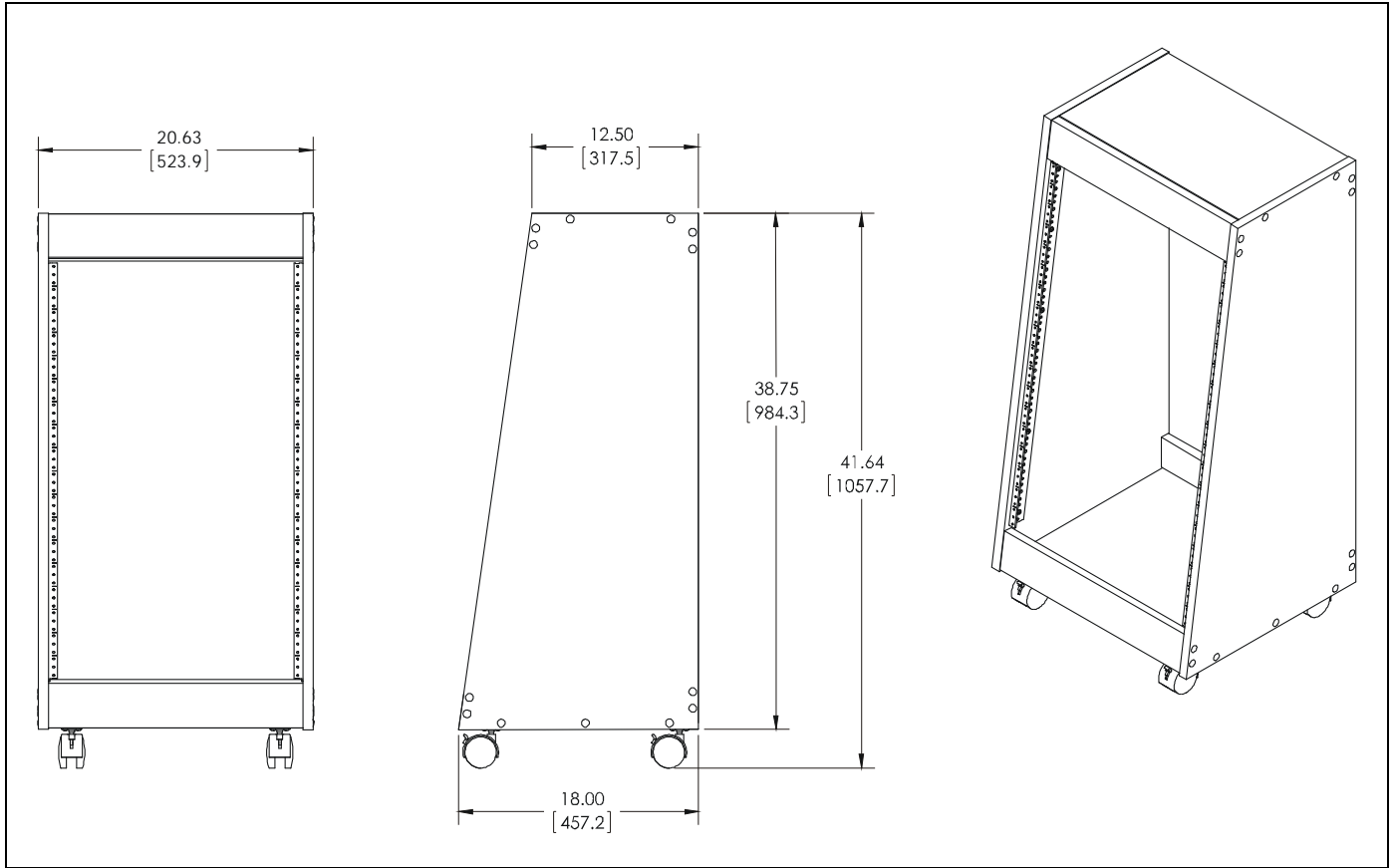
**IMPORTANT ! :** Minimum spacings between the Accessories and components and the (ITC/AV) Rack Enclosure shall be maintained for safe operation of the equipment when installed in accordance with the National Electric Code, ANSI/NFPA 70-2008. Operating temperature inside rack shall not exceed 104°F.

**--SAVE THESE INSTRUCTIONS--**

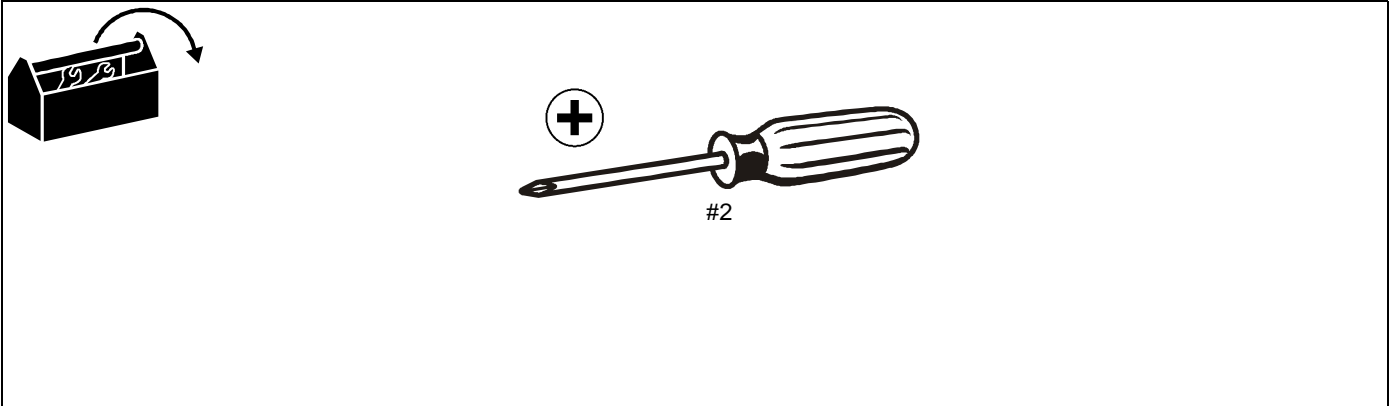
## LEGEND

	<b>Tighten Fastener</b>		<b>Phillips Screwdriver</b>
	Apretar elemento de fijación		Destornillador Phillips
	Befestigungsteil festziehen		Kreuzschlitzschraubendreher
	Apertar fixador		Chave de fendas Phillips
	Serrare il fissaggio		Cacciavite a stella
	Bevestiging vastdraaien		Kruiskopschroevendraaier
Serrez les fixations	Tournevis à pointe cruciforme		<b>Open-Ended Wrench</b>
	<b>Loosen Fastener</b>		Llave de boca
	Aflojar elemento de fijación		Gabelschlüssel
	Befestigungsteil lösen		Chave de bocas
	Desapertar fixador		Chiave a punte aperte
	Allentare il fissaggio		Steeksleutel
	Bevestiging losdraaien	Clé à fourche	
Desserrez les fixations			

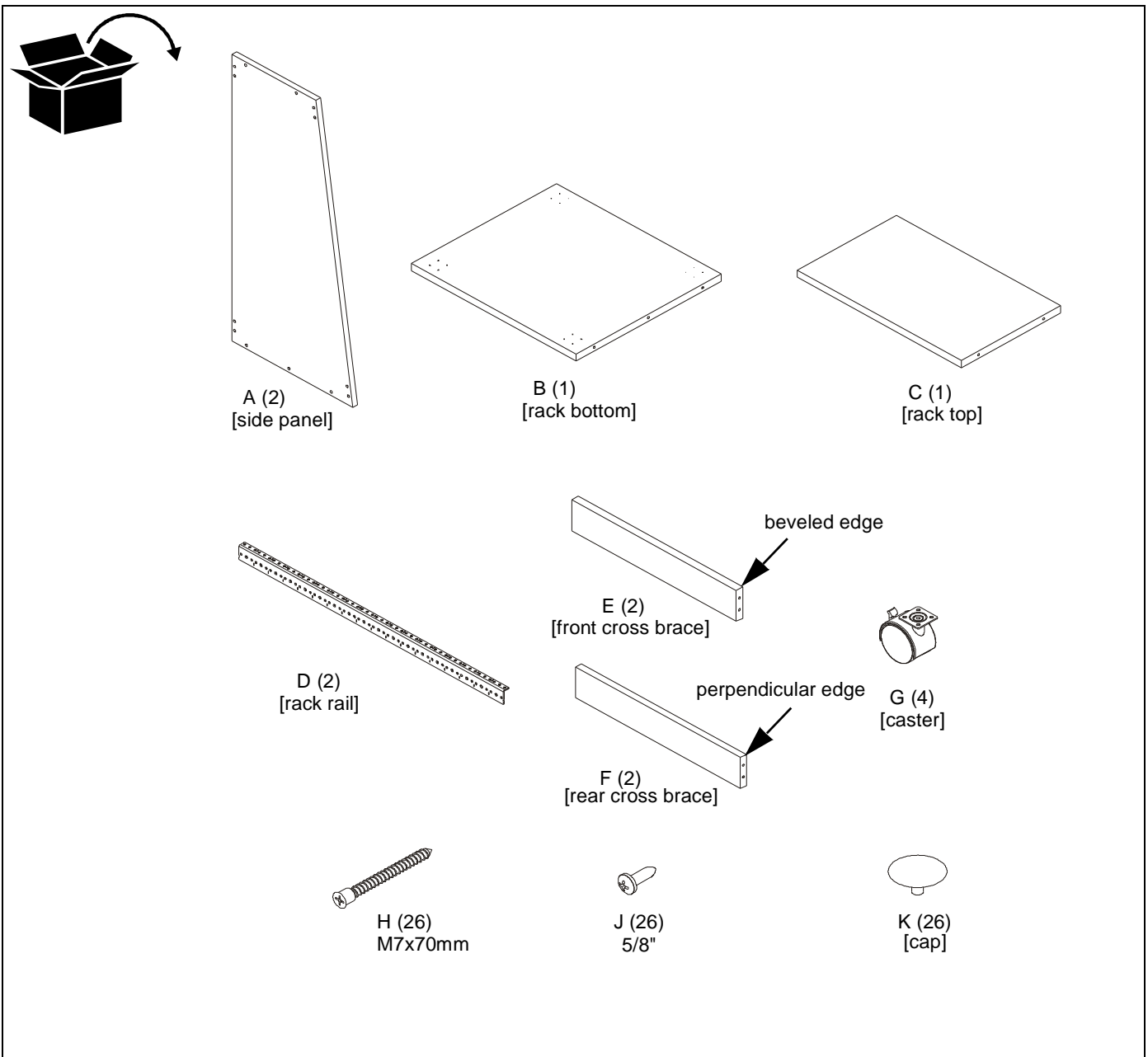
### DIMENSIONS



### TOOLS REQUIRED FOR INSTALLATION

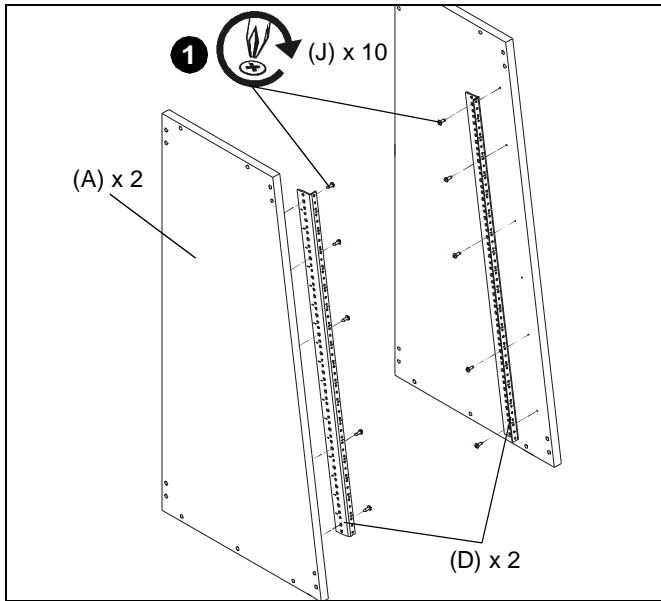


### PARTS



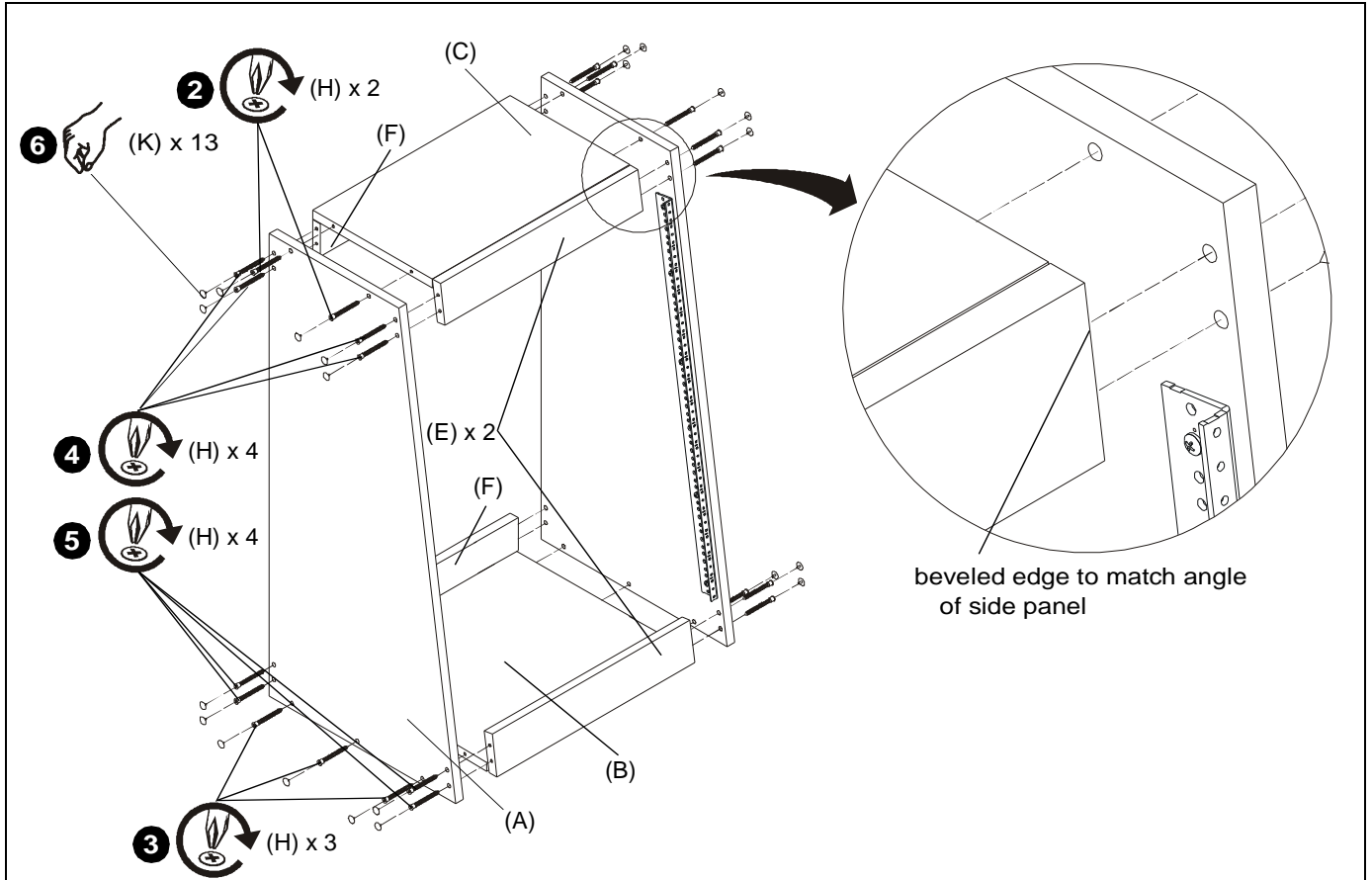
**ASSEMBLY**

1. Use ten #10 x 5/8" wood screws (J) to secure two rack rails (D) to two side panels (A). (See Figure 1)



**Figure 1**

2. Secure rack top (C) to one side panel using two M7x70mm Phillips confirmat screws (H). Do not overtighten! (See Figure 2)
3. Secure the rack bottom (B) using three M7x70mm Phillips confirmat screws (H). Do not overtighten! (See Figure 2)
4. Secure two cross braces (E in front and F in back) to the top of the side panel (A) in the front and back using four M7x70 Phillips confirmat screws (H). Make sure the beveled side of front cross brace (E) lines up with the angled edge of side panel. (See Figure 2)
5. Secure two cross braces (E in front and F in back) to the bottom of the side panel (A) in the front and back using four M7x70 Phillips confirmat screws (H). Make sure the beveled side of front cross brace (E) lines up with the angled edge of side panel. (See Figure 2)
6. Install 13 caps (K) to installed confirmat screws (H). (See Figure 2)
7. Install remaining side panel (A) to the other side following Steps 2-6.



**Figure 2**

8. Carefully set assembled rack on its side. (See Figure 3)
9. Use remaining sixteen #10 x 5/8" wood screws (J) to secure four casters (G) to rack bottom (B). (See Figure 3)
10. Install components to rack as desired.

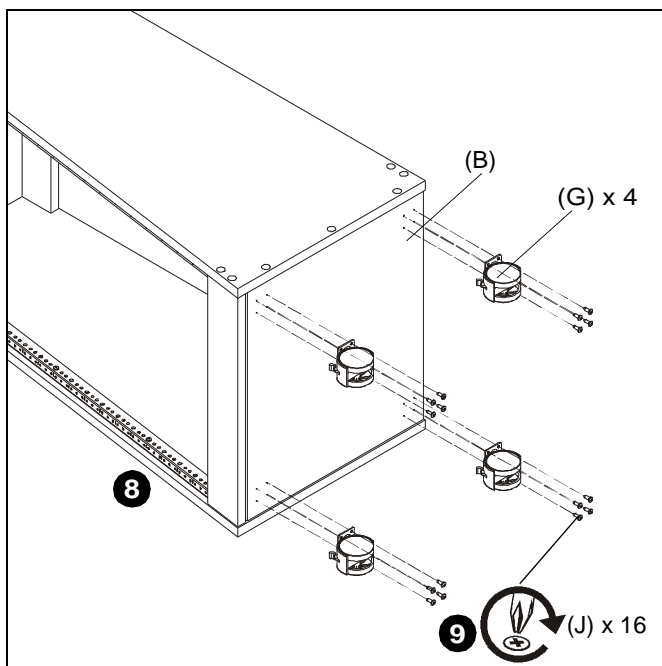


Figure 3





Our Mounts. **Your Vision.**

Chief Manufacturing, a products division  
of Milestone AV Technologies

8800-002284 Rev00  
©2012 Milestone AV Technologies, a  
Duchossois Group Company  
[www.chiefmfg.com](http://www.chiefmfg.com)  
12/12

<b>USA/International</b>	<b>A</b> 6436 City West Parkway, Eden Prairie, MN 55344 <b>P</b> 800.582.6480 / 952.225.6000 <b>F</b> 877.894.6918 / 952.894.6918
<b>Europe</b>	<b>A</b> Franklinstraat 14, 6003 DK Weert, Netherlands <b>P</b> +31 (0) 495 580 852 <b>F</b> +31 (0) 495 580 845
<b>Asia Pacific</b>	<b>A</b> Office No. 1 on 12/F, Shatin Galleria 18-24 Shan Mei Street Fotan, Shatin, Hong Kong <b>P</b> 852 2145 4099 <b>F</b> 852 2145 4477

