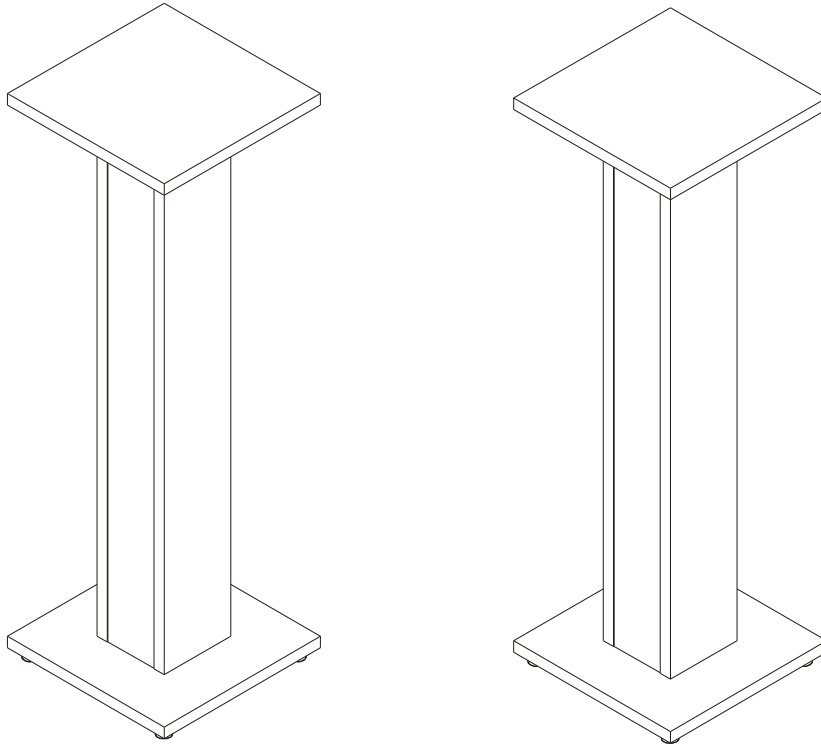

INSTALLATION INSTRUCTIONS



Economy Speaker Stand

DISCLAIMER

Milestone AV Technologies and its affiliated corporations and subsidiaries (collectively "Milestone"), intend to make this manual accurate and complete. However, Milestone makes no claim that the information contained herein covers all details, conditions or variations, nor does it provide for every possible contingency in connection with the installation or use of this product. The information contained in this document is subject to change without notice or obligation of any kind. Milestone makes no representation of warranty, expressed or implied, regarding the information contained herein. Milestone assumes no responsibility for accuracy, completeness or sufficiency of the information contained in this document.

Chief® is a registered trademark of Milestone AV Technologies. All rights reserved.



IMPORTANT SAFETY INSTRUCTIONS



WARNING: A WARNING alerts you to the possibility of serious injury or death if you do not follow the instructions.



CAUTION: A CAUTION alerts you to the possibility of damage or destruction of equipment if you do not follow the corresponding instructions.



WARNING: Failure to read, thoroughly understand, and follow all instructions can result in serious personal injury, damage to equipment, or voiding of factory warranty! It is the installer's responsibility to make sure all components are properly assembled and installed using the instructions provided.



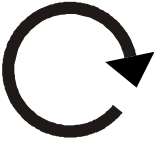

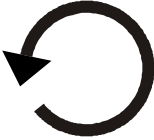









WARNING: Failure to provide adequate structural strength for this component can result in serious personal injury or damage to equipment! It is the installer's responsibility to make sure the structure to which this component is attached can support five times the combined weight of all equipment. Reinforce the structure as required before installing the component.



WARNING: Exceeding the weight capacity can result in serious personal injury or damage to equipment! It is the installer's responsibility to make sure the combined weight of all components located on top of each ERSS stand does not exceed 25 lbs (11.34 kg). Use with products heavier than the maximum weight indicated may result in instability or collapse of the rack causing possible injury.

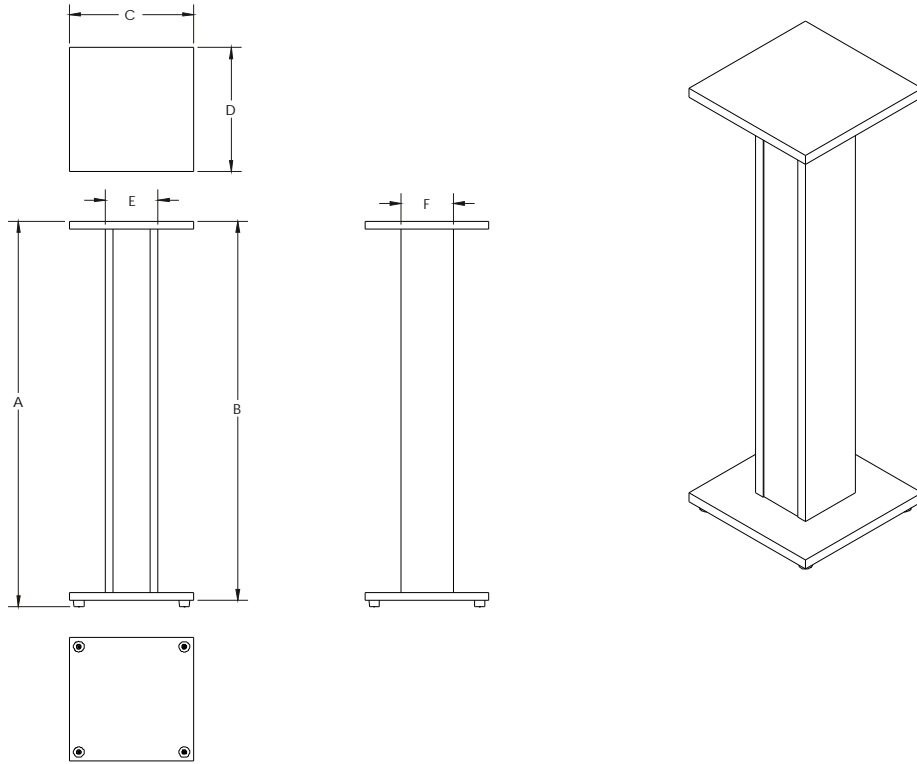
--SAVE THESE INSTRUCTIONS--

LEGEND

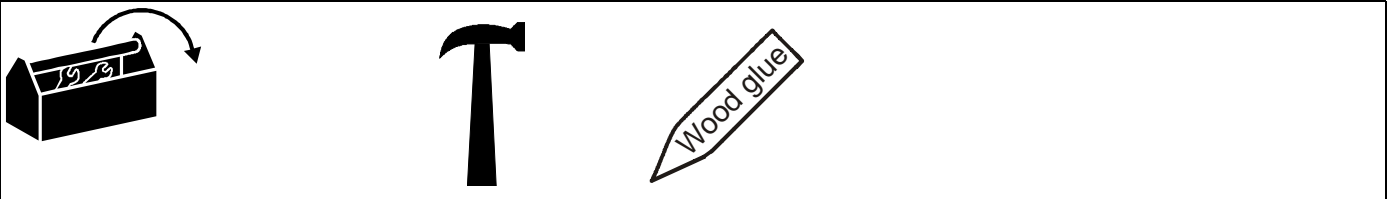
	<p>Tighten Fastener</p> <p>Apretar elemento de fijación</p> <p>Befestigungsteil festziehen</p> <p>Apertar fixador</p> <p>Serrare il fissaggio</p> <p>Bevestiging vastdraaien</p> <p>Serrez les fixations</p>		<p>Pencil Mark</p> <p>Marcar con lápiz</p> <p>Stiftmarkierung</p> <p>Marcar com lápis</p> <p>Segno a matita</p> <p>Potloodmerkten</p> <p>Marquage au crayon</p>
	<p>Loosen Fastener</p> <p>Aflojar elemento de fijación</p> <p>Befestigungsteil lösen</p> <p>Desapertar fixador</p> <p>Allentare il fissaggio</p> <p>Bevestiging losdraaien</p> <p>Desserrez les fixations</p>		<p>Drill Hole</p> <p>Perforar</p> <p>Bohrloch</p> <p>Fazer furo</p> <p>Praticare un foro</p> <p>Gat boren</p> <p>Percez un trou</p>
	<p>Phillips Screwdriver</p> <p>Destornillador Phillips</p> <p>Kreuzschlitzschraubendreher</p> <p>Chave de fendas Phillips</p> <p>Cacciavite a stella</p> <p>Kruiskopschroevendraaier</p> <p>Tournevis à pointe cruciforme</p>		<p>Adjust</p> <p>Ajustar</p> <p>Einstellen</p> <p>Ajustar</p> <p>Regolare</p> <p>Afstellen</p> <p>Ajuster</p>
	<p>Open-Ended Wrench</p> <p>Llave de boca</p> <p>Gabelschlüssel</p> <p>Chave de bocas</p> <p>Chiave a punte aperte</p> <p>Steeksleutel</p> <p>Clé à fourche</p>		<p>Remove</p> <p>Quitar</p> <p>Entfernen</p> <p>Remover</p> <p>Rimuovere</p> <p>Verwijderen</p> <p>Retirez</p>
	<p>By Hand</p> <p>A mano</p> <p>Von Hand</p> <p>Com a mão</p> <p>A mano</p> <p>Met de hand</p> <p>À la main</p>		<p>Optional</p> <p>Opcional</p> <p>Optional</p> <p>Opcional</p> <p>Opzionale</p> <p>Optie</p> <p>En option</p>
	<p>Hex-Head Wrench</p> <p>Llave de cabeza hexagonal</p> <p>Sechskantschlüssel</p> <p>Chave de cabeça sextavada</p> <p>Chiave esagonale</p> <p>Zeskantsleutel</p> <p>Clé à tête hexagonale</p>		<p>Security Wrench</p> <p>Llave de seguridad</p> <p>Sicherheitsschlüssel</p> <p>Chave de segurança</p> <p>Chiave di sicurezza</p> <p>Veiligheidsleutel</p> <p>Clé de sécurité</p>

DIMENSIONS

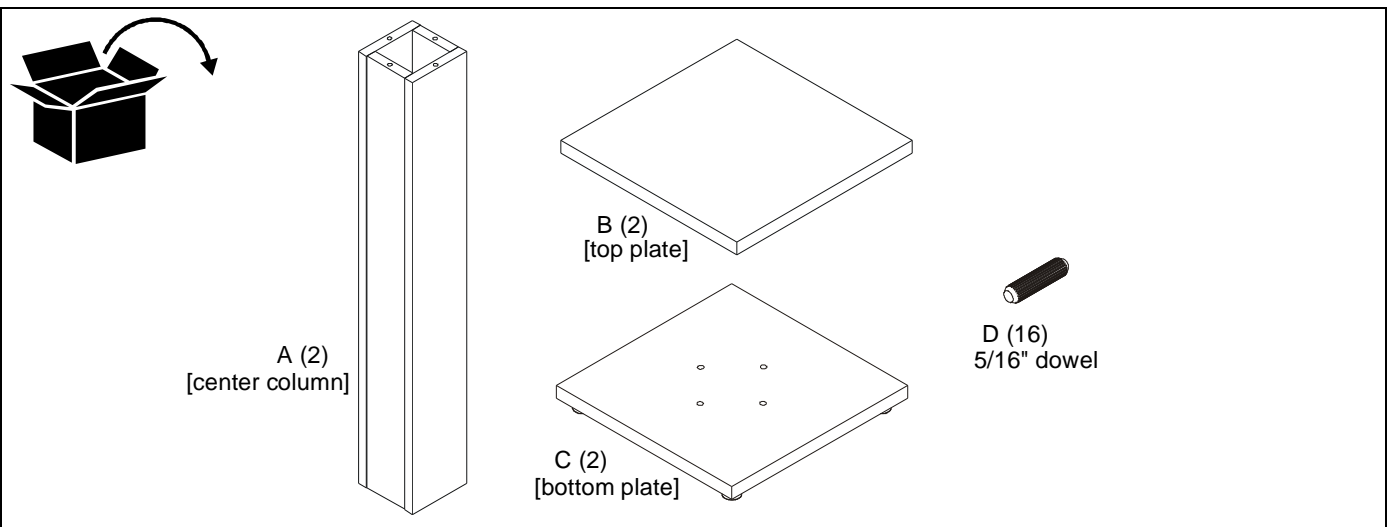
MODEL#	DIM (A)	DIM (B)	DIM (C)	DIM (D)	DIM (E)	DIM (F)
ERSS-36	36.6" [931]	36.0" [915]	11.75" [299]	11.75" [299]	5.0" [127]	5.0" [127]
ERSS-42	42.6" [1082]	42.0" [1067]	11.75" [299]	11.75" [299]	5.0" [127]	5.0" [127]



TOOLS REQUIRED FOR INSTALLATION



PARTS



ASSEMBLY

NOTE: Have a damp rag or cloth on hand to wipe off any excess glue during the following installation steps.

1. Fill the four holes on bottom plate (C) about half full of wood glue. (See Figure 1)
2. Insert a dowel (D) into each of four holes using a hammer to tap gently until the dowel reaches the bottom of the hole. (See Figure 1)

NOTE: To check if all dowels are fully installed, make sure each one is sticking out the same length from the hole.

3. Use the damp rag or cloth to wipe off any excess glue.

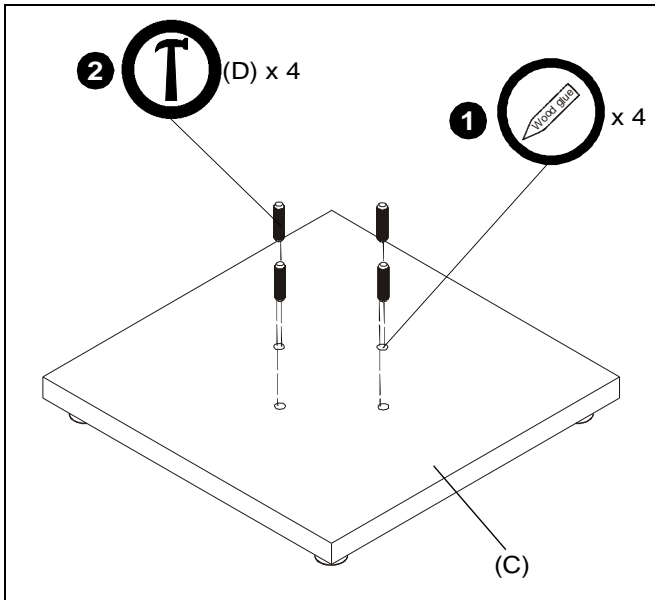


Figure 1

4. Fill the four holes on either end of the center column half full of wood glue. (See Figure 2)

IMPORTANT ! : Holes are not symmetrical! Bottom plate must be installed with the wood grain finish in the direction as shown in Figure 2!

5. Line up dowels (D) installed on bottom plate (C) with holes on center column (A) and insert dowels into holes. (See Figure 2)
6. Use a hammer to gently tap dowels into holes. Place another piece of wood on top of bottom plate to prevent hammer marks. (See Figure 2)
7. Use the damp rag or cloth to wipe off any excess glue.

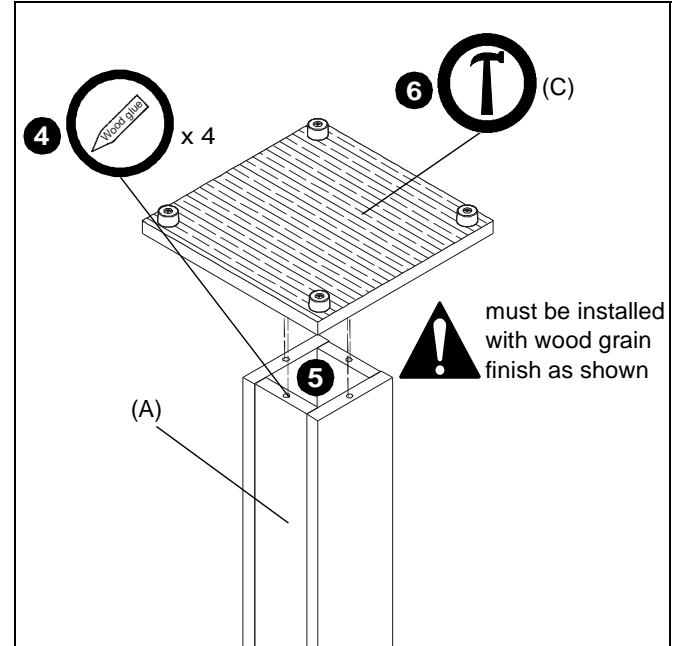


Figure 2

8. Fill the four holes on top plate (B) about half full of wood glue. (See Figure 3)
9. Insert a dowel (D) into each of four holes using a hammer to tap gently until the dowel reaches the bottom of the hole. (See Figure 3)

NOTE: To check if all dowels are fully installed, make sure each one is sticking out the same length from the hole.

10. Use the damp rag or cloth to wipe off any excess glue.

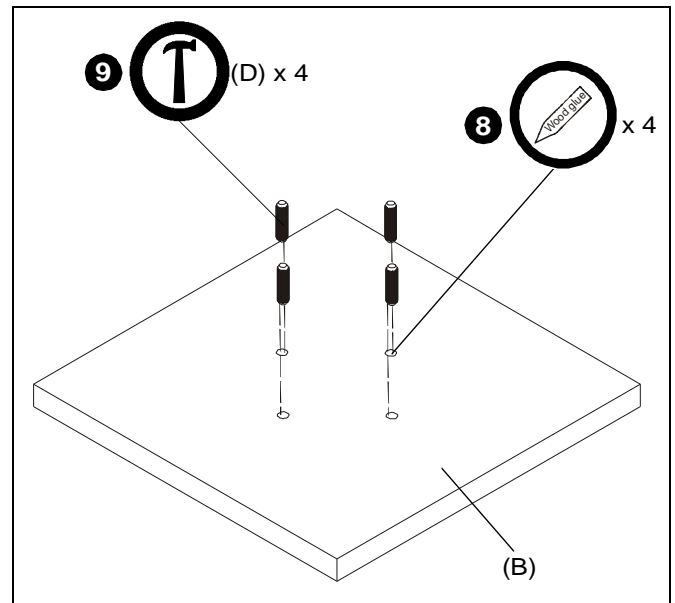


Figure 3

IMPORTANT ! : Depending on the mounting surface, speaker size and mounting location, it may be advisable to add sand to the center column to ensure a more stable mount. Sand may also be added for acoustic decoupling to reduce vibration noise. If neither of these are a concern, proceed ahead to Step 13.

11. (Optional) Insert a large plastic bag into the open end of the center column to line the interior.
12. (Optional) Pour sand or rock salt into the bag as desired or until the bag is full. Leave enough room to tie a knot at the top of the bag to keep sand from leaking. (See Figure 4)

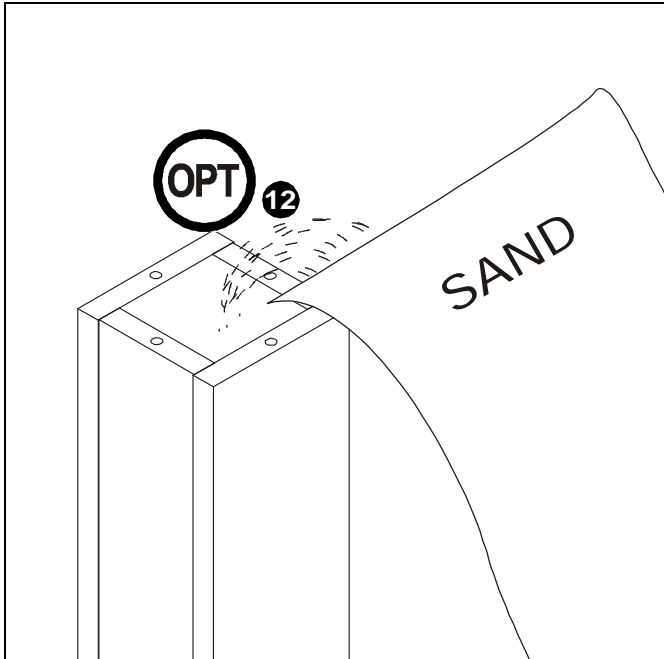


Figure 4

13. Fill the four holes on either end of the center column (A) half full of wood glue. (See Figure 5)

IMPORTANT ! : Holes are not symmetrical! Bottom plate must be installed with the wood grain finish in the direction as shown in Figure 5!

14. Line up dowels (D) installed on top plate (B) with holes on center column (A) and insert dowels into holes. (See Figure 5)
15. Use a hammer to gently tap dowels into holes. Place another piece of wood on top of top plate to prevent hammer marks. (See Figure 5)
16. Use the damp rag or cloth to wipe off any excess glue.

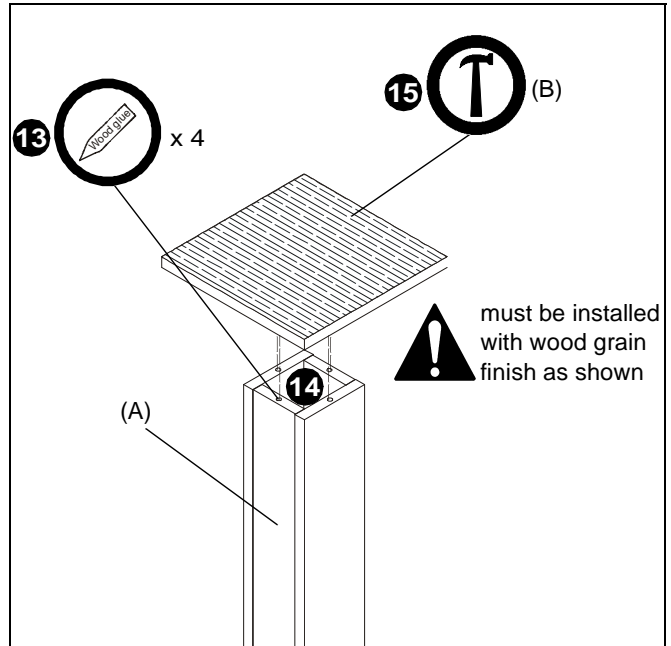


Figure 5

IMPORTANT ! : Wait at least one hour for the glue to settle prior to applying any pressure to the unit.

17. Repeat steps for the other speaker stand.



WARNING: Exceeding the weight capacity can result in serious personal injury or damage to equipment! It is the installer's responsibility to make sure the combined weight of all components located on top of each ERSS stand does not exceed 25 lbs (11.34 kg). Use with products heavier than the maximum weight indicated may result in instability or collapse of the rack causing possible injury.

18. Install speakers to stands.



Our Mounts. **Your Vision.**

Chief Manufacturing, a products division
of Milestone AV Technologies

8800-002290 Rev00
©2013 Milestone AV Technologies, a
Duchossois Group Company
www.chiefmfg.com
01/13

USA/International	A 6436 City West Parkway, Eden Prairie, MN 55344 P 800.582.6480 / 952.225.6000 F 877.894.6918 / 952.894.6918
Europe	A Franklinstraat 14, 6003 DK Weert, Netherlands P +31 (0) 495 580 852 F +31 (0) 495 580 845
Asia Pacific	A Office No. 1 on 12/F, Shatin Galleria 18-24 Shan Mei Street Fotan, Shatin, Hong Kong P 852 2145 4099 F 852 2145 4477

