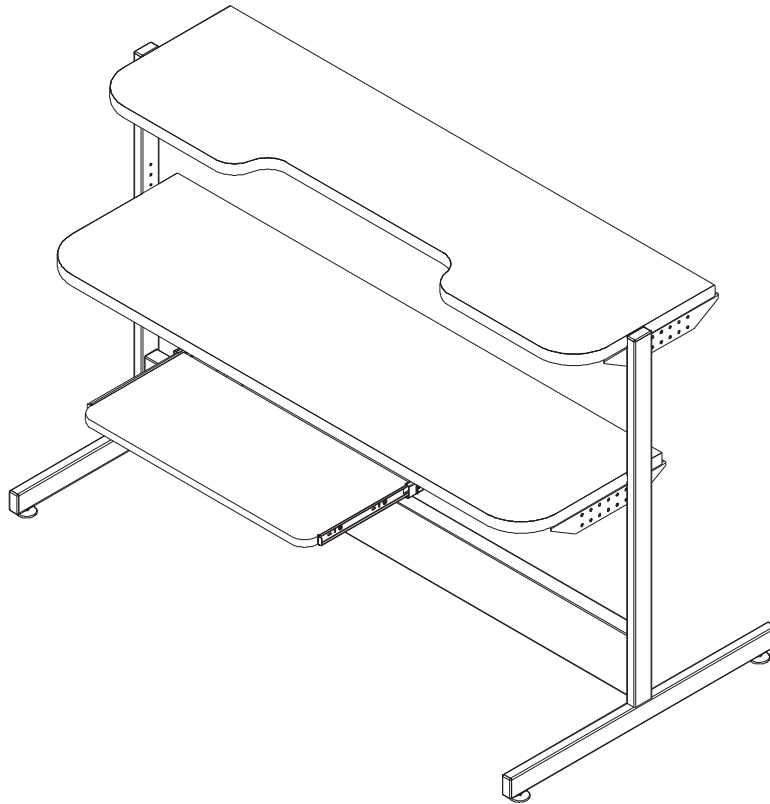


---

# INSTALLATION INSTRUCTIONS

---



---

## Keyboard Workstation

---

**DISCLAIMER**

Milestone AV Technologies and its affiliated corporations and subsidiaries (collectively "Milestone"), intend to make this manual accurate and complete. However, Milestone makes no claim that the information contained herein covers all details, conditions or variations, nor does it provide for every possible contingency in connection with the installation or use of this product. The information contained in this document is subject to change without notice or obligation of any kind. Milestone makes no representation of warranty, expressed or implied, regarding the information contained herein. Milestone assumes no responsibility for accuracy, completeness or sufficiency of the information contained in this document.

Chief® is a registered trademark of Milestone AV Technologies. All rights reserved.

**! IMPORTANT SAFETY INSTRUCTIONS**

**! WARNING:** A WARNING alerts you to the possibility of serious injury or death if you do not follow the instructions.

**! CAUTION:** A CAUTION alerts you to the possibility of damage or destruction of equipment if you do not follow the corresponding instructions.

**! WARNING:** Failure to read, thoroughly understand, and follow all instructions can result in serious personal injury, damage to equipment, or voiding of factory warranty! It is the installer's responsibility to make sure all components are properly assembled and installed using the instructions provided.

**! WARNING:** Failure to provide adequate structural strength for this component can result in serious personal injury or damage to equipment! It is the installer's responsibility to make sure the structure to which this component is attached can support five times the combined weight of all equipment. Reinforce the structure as required before installing the component.

**! WARNING:** Exceeding the weight capacity can result in serious personal injury or damage to equipment! It is the installer's responsibility to make sure the combined weight of all components located on top of the ETUDE workstation does not exceed 150 lbs (68 kg). Use with products heavier than the maximum weight indicated may result in instability or collapse of the rack causing possible injury.

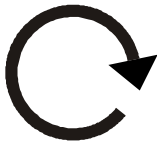


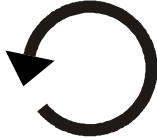
**! WARNING:** Use this mounting system only for its intended use as described in these instructions. Do not use attachments not recommended by the manufacturer.

**! WARNING:** Never operate this mounting system if it is damaged. Return the mounting system to a service center for examination and repair.

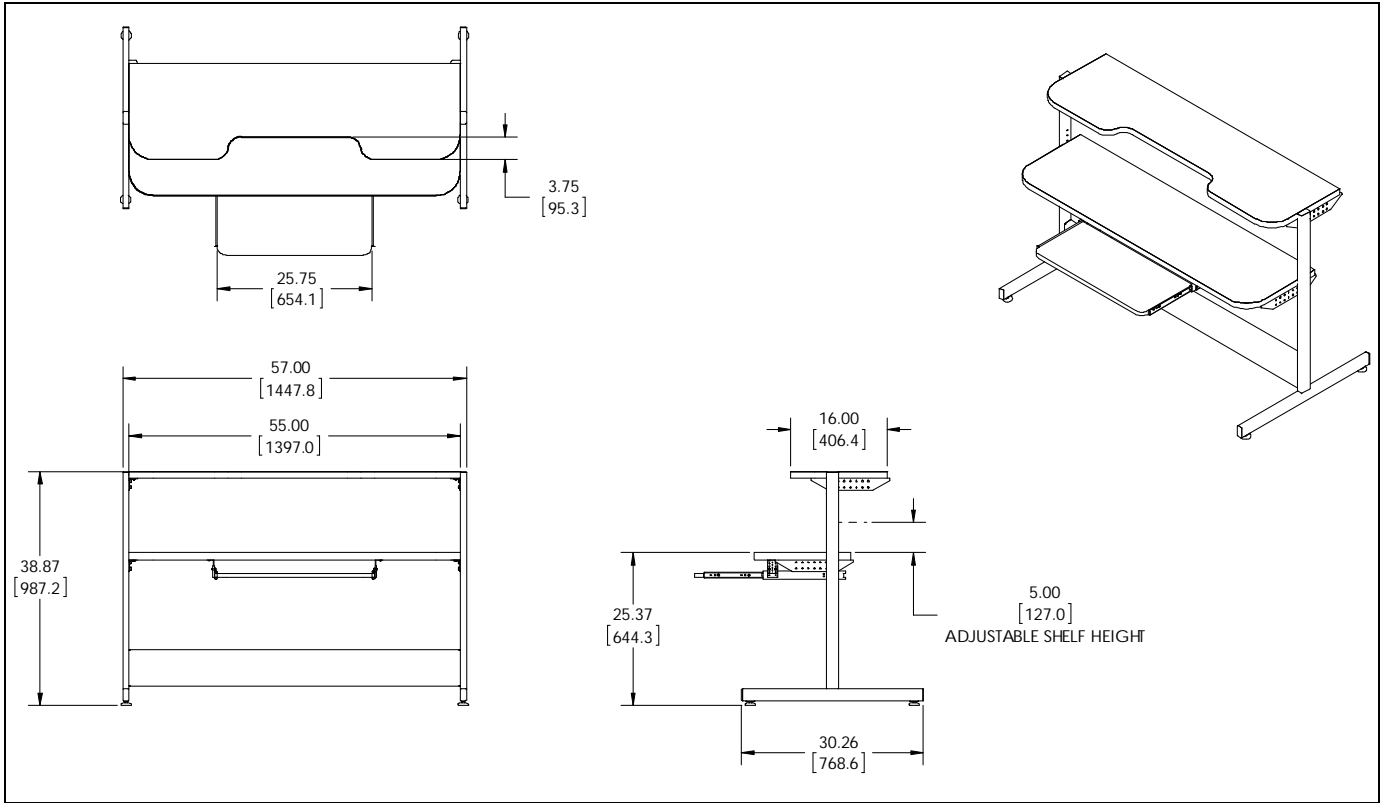
**! WARNING:** Do not use this product outdoors.

**--SAVE THESE INSTRUCTIONS--**

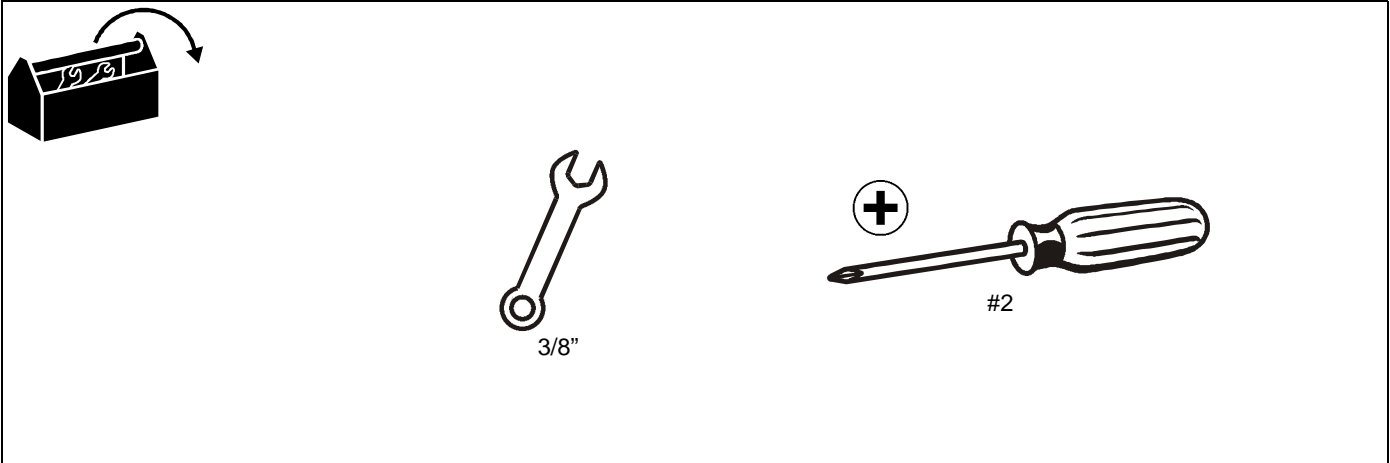
**LEGEND**

	<b>Tighten Fastener</b>		<b>Phillips Screwdriver</b>
	Apretar elemento de fijación		Destornillador Phillips
	Befestigungsteil festziehen		Kreuzschlitzschraubendreher
	Apertar fixador		Chave de fendas Phillips
	Serrare il fissaggio		Cacciavite a stella
	Bevestiging vastdraaien		Kruiskopschroevendraaier
Serrez les fixations	Tournevis à pointe cruciforme		<b>Open-Ended Wrench</b>
	<b>Loosen Fastener</b>		Llave de boca
	Aflojar elemento de fijación		Gabelschlüssel
	Befestigungsteil lösen		Chave de bocas
	Desapertar fixador		Chiave a punte aperte
	Allentare il fissaggio		Steeksleutel
	Bevestiging losdraaien	Clé à fourche	
Desserrez les fixations			

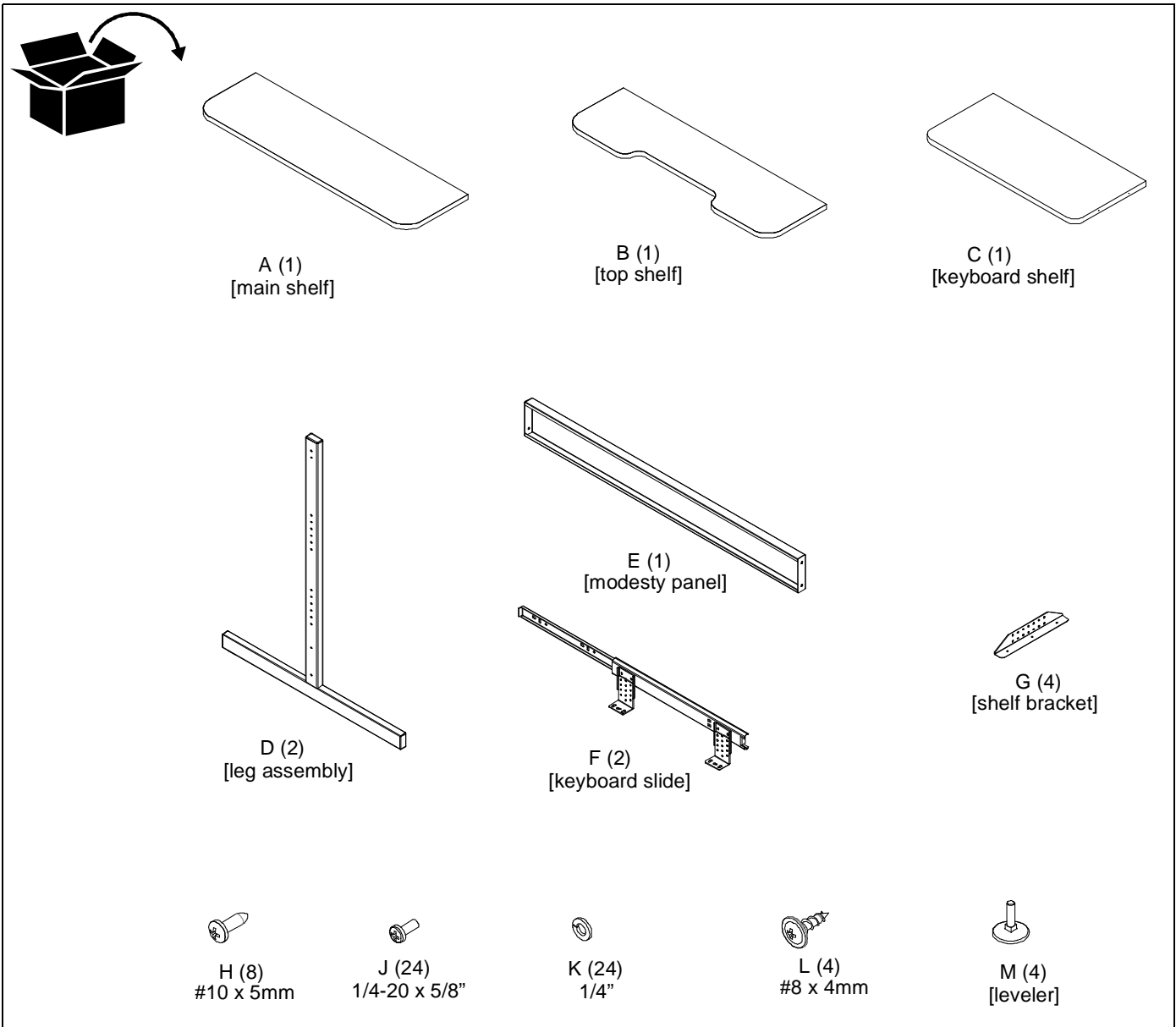
### DIMENSIONS



**TOOLS REQUIRED FOR INSTALLATION**

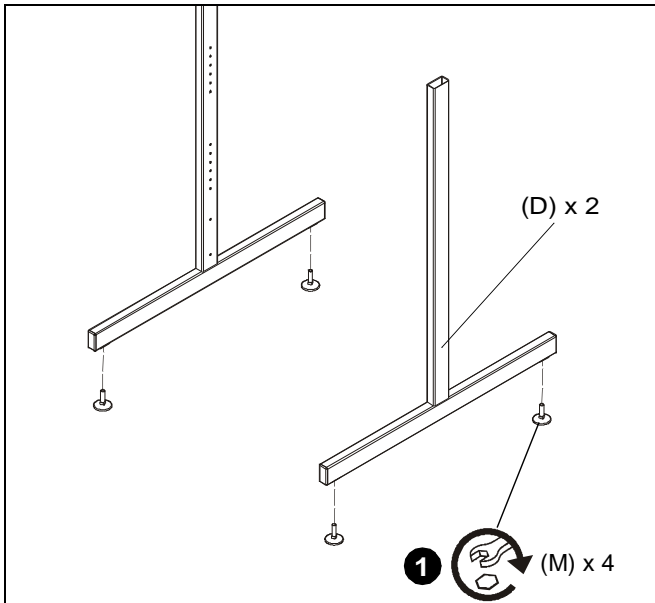


**PARTS**



**ASSEMBLY**

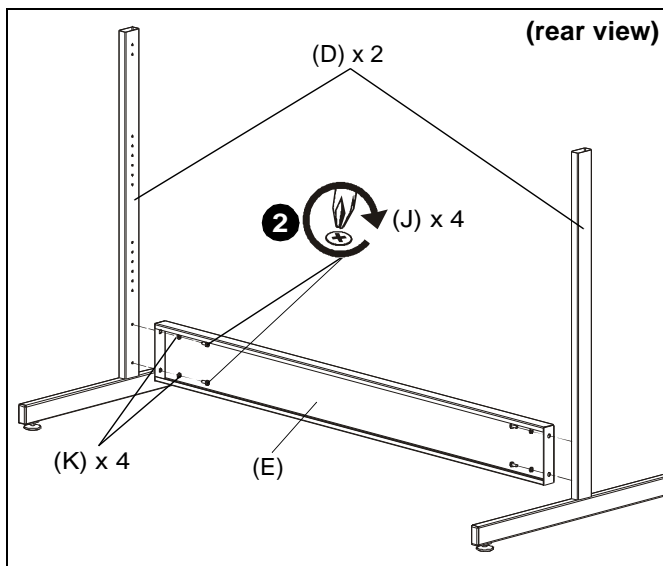
1. Install two levelers (M) onto each leg assembly (D). (See Figure 1)



**Figure 1**

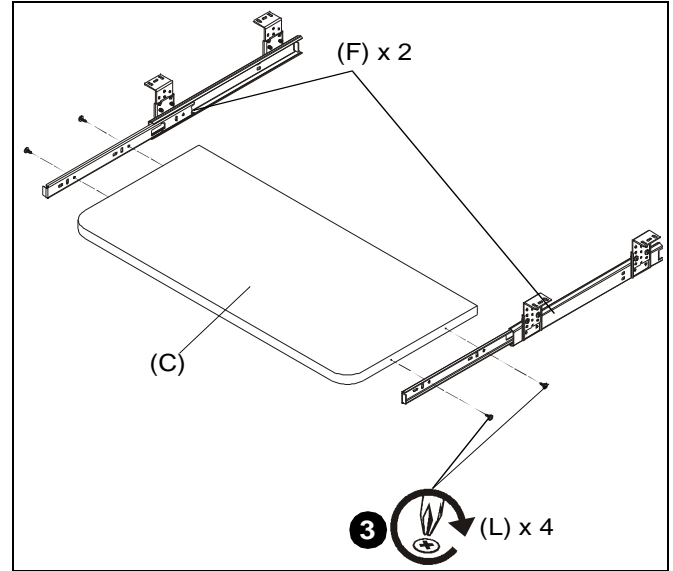
2. Use four 1/4-20 X 5/8" Phillips pan machine screws (J) and four 1/4" lock nuts (K) to loosely attach modesty panel (E) to leg assemblies (D). (See Figure 2)

**IMPORTANT !** : Do NOT tighten screws at this point or it will be difficult to install upper shelves in future steps!



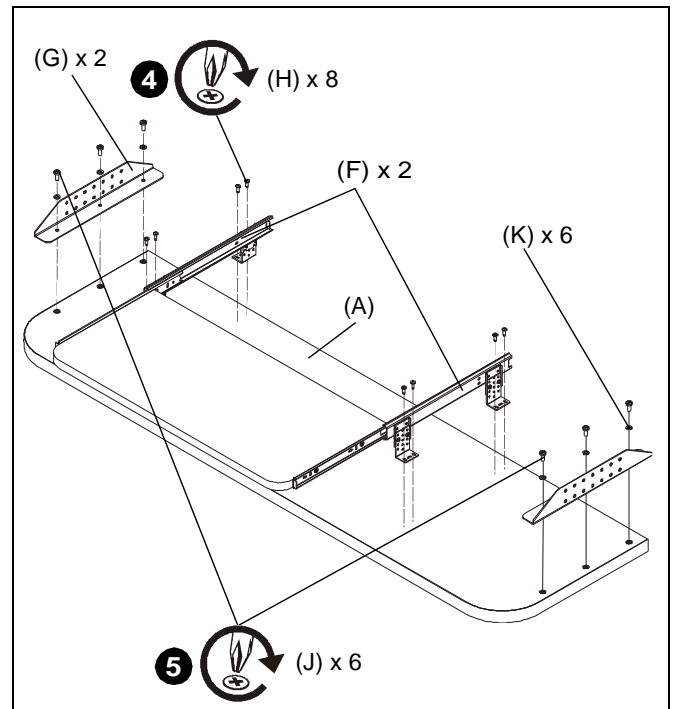
**Figure 2**

3. Use four #8 x 4mm Phillips wood screws (L) to secure two keyboard slides (F) to keyboard shelf (C). (See Figure 3)



**Figure 3**

4. Use eight #10 x 5mm Phillips wood screws (H) to secure keyboard slides (F) to underside of main shelf (A). (See Figure 4)
5. Use six 1/4-20 x 5/8" Phillips head machine screws (J) and six lock washers (K) to secure two shelf brackets (G) to main shelf (A). (See Figure 4)



**Figure 4**

- Use six 1/4-20 x 5/8" Phillips head machine screws (J) and six 1/4" lock washers (K) to secure two shelf brackets (G) to top shelf (B). (See Figure 5)

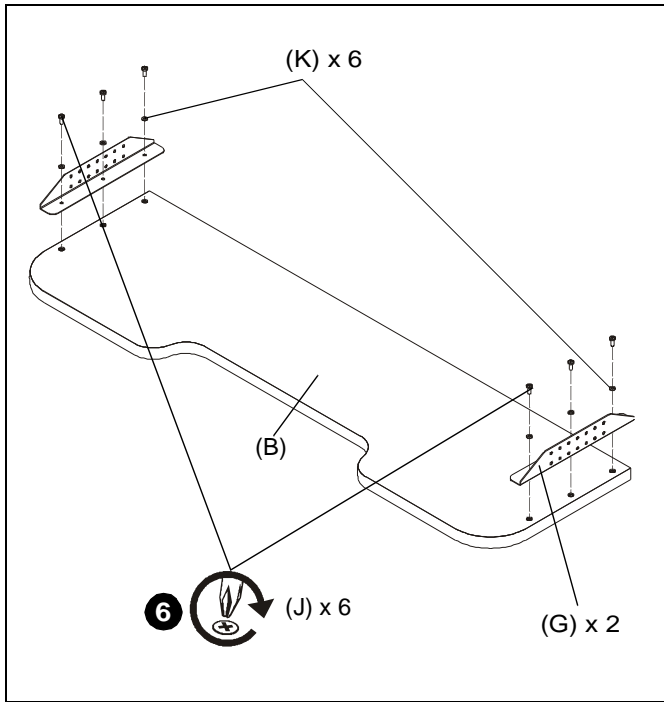


Figure 5

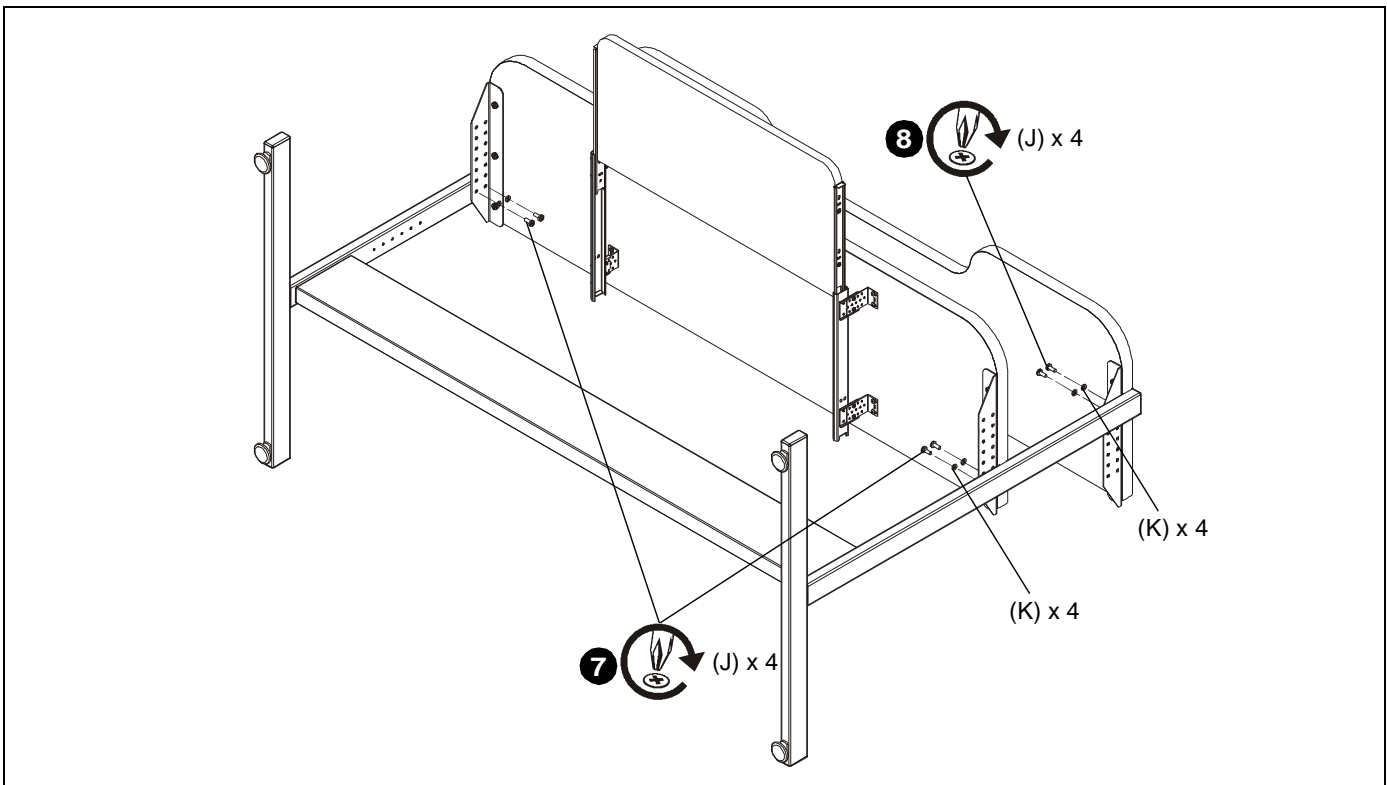
- Use four 1/4-20 x 5/8" Phillips machine screws (J) and four 1/4" lock washers (K) to secure main shelf (A) to leg assemblies (D) at desired shelf height. (See Figure 6)
- Use four 1/4-20 x 5/8" Phillips machine screws (J) and four 1/4" lock washers (K) to secure top shelf (B) to leg assemblies (D). (See Figure 6)

**NOTE:** Any of the holes in shelf brackets (G) may be used to install shelves depending on desired shelf position.

- Tighten all screws to ensure the desk is securely assembled.
- Adjust levelers, if necessary, until desk is level.
- Install components to shelves as desired.



**WARNING:** Exceeding the weight capacity can result in serious personal injury or damage to equipment! It is the installer's responsibility to make sure the combined weight of all components located on top of the ETUDE workstation does not exceed 150 lbs (68 kg). Use with products heavier than the maximum weight indicated may result in instability or collapse of the rack causing possible injury.







Our Mounts. **Your Vision.**

Chief Manufacturing, a products division  
of Milestone AV Technologies

8800-002331 Rev00  
©2013 Milestone AV Technologies, a  
Duchossois Group Company  
[www.chiefmfg.com](http://www.chiefmfg.com)  
06/13

<b>USA/International</b>	<b>A</b> 6436 City West Parkway, Eden Prairie, MN 55344 <b>P</b> 800.582.6480 / 952.225.6000 <b>F</b> 877.894.6918 / 952.894.6918
<b>Europe</b>	<b>A</b> Franklinstraat 14, 6003 DK Weert, Netherlands <b>P</b> +31 (0) 495 580 852 <b>F</b> +31 (0) 495 580 845
<b>Asia Pacific</b>	<b>A</b> Office No. 1 on 12/F, Shatin Galleria 18-24 Shan Mei Street Fotan, Shatin, Hong Kong <b>P</b> 852 2145 4099 <b>F</b> 852 2145 4477

