



MAGNA-LIFT™ ELECTRIC CEILING MOUNT

MODEL EVCM 100D

INSTALLATION INSTRUCTIONS

WARNING: IMPROPER INSTALLATION MAY RESULT IN SERIOUS PERSONAL INJURY!
All components must be securely fastened to each other and to the ceiling, **AND** the ceiling **MUST** be capable of supporting 5 times the suspended load of EVCM, projector and all additional mounting hardware. If it cannot, the ceiling **MUST** be reinforced.

UNIT SPECIFICATIONS - MODEL EVCM-100D

Motor Operation Limits

Run Time - 12 Minutes*
Cool Time - 25 Minutes
Run Time - 12 Minutes

Do not exceed two cycles without an extended cooling period of 45 minutes.

**It will take approximately 11 minutes to fully lower and raise 20 feet of cable under maximum load.*

Maximum Weight Capacity	250 lbs. (113.5)
Maximum Travel	20 Feet (609.6 cm)
Unit Weight	48 lbs. (21.6 kg)
Electrical Requirements	115 Volts, 60 Hz, 1.6 amps continuous

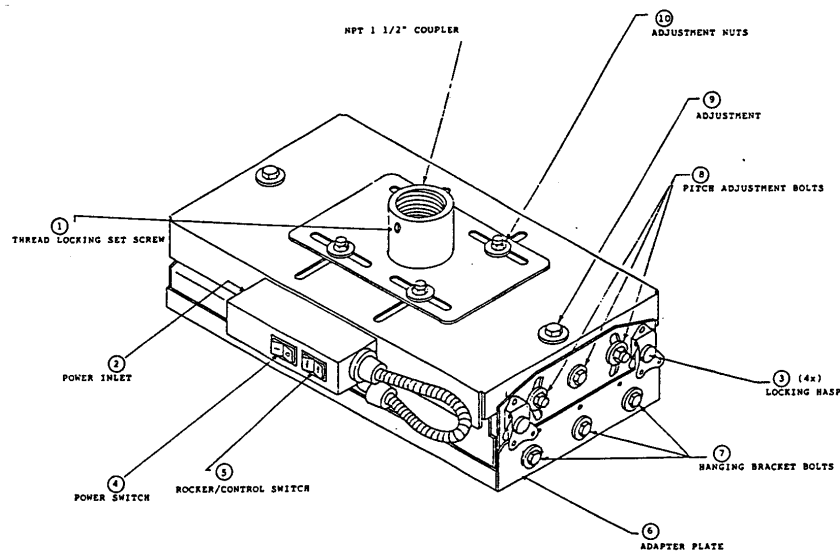
Read instructions completely before installing unit and connecting power.

1. The location of installation must be equipped with 150 volt (EVCM-100D) electrical power, if not electrical power must be installed to site, and easily accessible.
2. The method of support you are using for the MAGNA-LIFT™ ceiling mount must be securely installed to the ceiling; if not the ceiling must be reinforced. **Improper installation may result in serious personal injury.**
3. The EVCM-100 MAGNA-LIFT™ attaches directly to the NPT 1 1/2" column that you have installed in your ceiling.
 - A. Thread the unit on and tighten securely with pipe wrench.
 - B. After unit is tightened securely, install the thread locking set screw (1) into the coupler and tighten against threads on column.
4. In order to provide power to the MAGNA-LIFT™ you will need the appropriate power cord. The power inlet is a general purpose IEC-320 power inlet for Class 1 applications rated at 10A international, 15A North America. The main plug to the appliance inlet shall be used as the primary disconnect device. Plug proper cord into power inlet plug (2).
5. After you have securely attached the MAGNA-LIFT™ to the ceiling and provide power to the unit you can lower it to floor/service level. **Make sure the area directly below unit is clear of all individuals and obstructions.**
 - A. Unlock the four locking hasps (3) on fig. 1 (2 on each side of housing), by turning them counter clockwise 180°. Be sure the locking hasps are clear of the keeper plates.
 - B. Turn power switch on (-) fig. 1 (4).
 - C. Depress and hold the down arrow side of rocker/control switch (5) fig. 1 until the adapter plate (6) is to floor/service level.

- D. Once unit is resting on the floor or service platform depress the down arrow side for approximately four seconds. This will provide slack in the cable for easy movement of adapter plate.
6. Attach hanging bracket to the projector. See the enclosed HB instructions (Model of projector determines which hanging bracket is required for your EVCM-100).
 7. After attaching the hanging bracket to the projector, install the adapter plate to the hanging bracket by installing the six hanging bracket bolts (7) (three on each side) through the holes in the hanging bracket and tighten securely into the adapter plate.
 8. Before raising projector to ceiling make sure that all fasteners are securely tightened to projector and adapter plate.
 9. To raise unit to ceiling:
 - A. Depress and hold the up arrow side of rocker/control switch (5) fig. 1 until the adapter plate is seated to the ceiling mount housing.
 - B. When adapter plate is properly seated the unit will turn off.
 - C. After the adapter plate is seated to ceiling housing, lock the four locking hasps, making sure hasps connect with keeper plates.
 - D. Turn clockwise to lock adapter plate to ceiling mount housing and turn the power switch to off (o). You can now attach power and cables to projector.

See projector alignment sheet for projector alignment.

10. To lower projector for servicing, disconnect all power cables and signal cables from projector. Repeat step 5 to lower.



CHIEF MANUFACTURING, INC.

14310 Ewing Avenue South, Burnsville, MN 55306 USA Phone: (612) 894-6280 or FAX (612) 894-6918

Rev. 12/95



CHIEF MANUFACTURING INC.
1-800-582-6480 952-894-6280 FAX 952-894-6918
12800 HIGHWAY 13 SOUTH, SUITE 500
SAVAGE, MINNESOTA 55378 USA

PROJECTOR ALIGNMENT INSTRUCTIONS

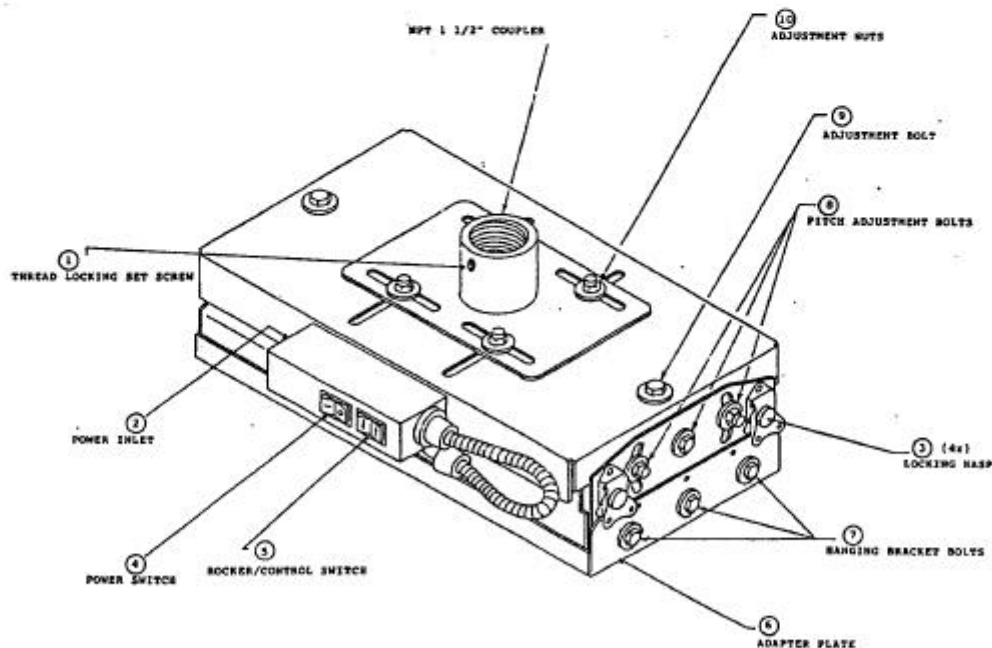
CAUTION: For projection alignment, mounting hardware is to be loosened only to allow for necessary movement. Over loosening or removal of mounting hardware may result in serious damage to equipment or personal injury.

Vertical Elevation (pitch) is adjusted by loosening the six-pitch adjustment bolts. (See Diagram 1, 8). Loosen both sides and adjust pitch by tilting projector in the direction you need. When desired pitch is obtained, securely tighten the bolts on both sides.

Horizontal Tilt (roll) is adjusted by turning the adjustment bolt (See Diagram 1, 9). Before adjusting the adjustment bolt, the six-pitch adjustment bolts (8) must be loosened. To adjust roll, turn the bolt clockwise to raise and counter clockwise to lower. Roll adjustment can be done on both sides of unit. When desired roll is obtained, securely tighten the six pitch adjustment bolts.

Positive Registration Lock is accomplished by tightened the pitch adjustment bolts. You can then remove the projector, without losing projector registration, by removing the six bolts (7) that held the HB hanging bracket to the EVCM.

Horizontal Adjustments loosen, but do not remove the nuts that hold the top slide bracket (10). When nuts are loosened, you can then adjust unit 1 1/2" in any direction.



CHIEF MANUFACTURING INC.
14310 Ewing Ave S. Burnsville, MN 55306 1-800-582-6480, Fax: 877-894-6918,
Email: chief@chiefmfg.com, www.chiefmfg.com