

---

# INSTRUCTION MANUAL

---



The Christie Vivid extension is an easy to install option designed to provide quick height adjustment for your installation needs. This extension can be secured to ceilings or joists.



## BEFORE YOU BEGIN

- **CAUTION:** To prevent damage to your equipment, thoroughly study all instructions and illustrations before you begin to install the extension.
- If you have any questions about this installation, see the back page of this manual for contact information.



## IMPORTANT WARNINGS AND CAUTIONS!

- WARNING:** A **WARNING** alerts you to the possibility of serious injury or death if you do not follow the instructions.
- CAUTION:** A **CAUTION** alerts you to the possibility of damage or destruction of equipment if you do not follow the corresponding instructions.
- **WARNING: Improper installation can result in serious personal injury! Make sure that the ceiling structural members can support a redundant weight factor *five times* the total weight of the equipment. If the ceiling can not support this weight, reinforce the ceiling before installing the mount.**
  - **WARNING: Be aware also of the potential for personal injury or damage to the unit if it is not adequately mounted.**
  - **WARNING: The installer is responsible for verifying that the ceiling to which the mount is anchored will safely support the combined load of all attached components or other equipment.**
  - **WARNING: The weight of the projector must not exceed the maximum load capacity of the mount.**
  - **CAUTION:** To avoid personal injury or damage to the mount, be sure that it is installed square and parallel in all dimensions.
  - **CAUTION:** Check the unit for shipping damage before you begin the installation.

## CONTENTS

TOOLS REQUIRED FOR INSTALLATION ....	1
INSTALLATION PROCEDURES .....	2
PARTS .....	3
DEALER INFORMATION .....	4
DIMENSIONAL DRAWING .....	4

## TOOLS REQUIRED FOR INSTALLATION

- Phillips screwdrivers, No. 1 and No. 2 TIP
- Drill and bit set
- 3/8” Wrench

**NOTE:** Other tools may be required depending on the method of installation.

## INSTALLATION PROCEDURES

Install the extension as follows:

**WARNING: Improper installation can cause serious personal injury! Make sure that the ceiling structural members can support a redundant weight factor *five times* the total weight of the equipment you intend to support overhead. The ceiling must be reinforced before you install the mount if the ceiling cannot support a redundant weight factor *five times* the total weight of the equipment.**

1. Determine the exact mounting location and, using the bolt holes provided in the ceiling plate, secure the plate to the ceiling or ceiling joist.
2. Slide the column tube over the ceiling plate tube to the desired height and bolt tubes together using two 1/4" bolts, nuts, and washers provided (see Figure 1). Make sure nuts and screws are tightened firmly.
3. Install four 5/16"-18 set screws into the holes offset from the cross bolts (see Figure 2). These screws are to secure the Ceiling Plate Tube from shifting within the column.



Figure 1. Bolt Column Tube to Ceiling Plate Tube

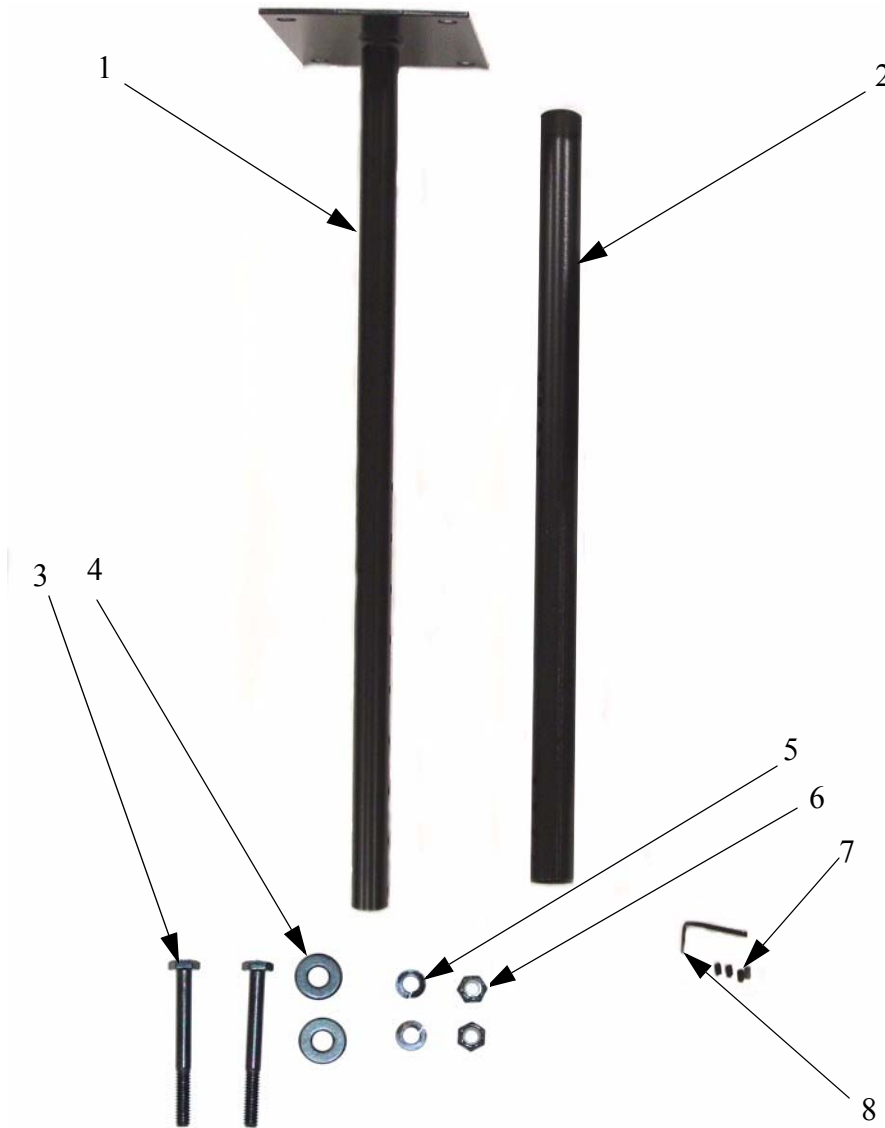


Figure 2. Secure Columns Using Set Screws

# PARTS

**Table 1: Parts**

No.	Nomenclature	Qty.	No.	Nomenclature	Qty.
1	Plate, ceiling	1	5	Washer, lock	2
2	Tube, ceiling	1	6	Nut	2
3	Bolt	2	7	Screw, Allen, 5/16"	4
4	Washer, flat	2	8	Wrench, Allen, 5/32"	1



# CHRISTIE Technical Support

## NORTH AMERICA

**CHRISTIE Digital Systems, Inc.**

809 Wellington St. North  
Kitchener, Ontario, Canada N2G 4Y7  
Tel. 519-744-8005 (*General*)  
Toll Free 1-800-221-8025  
(*Technical Support*)  
Fax 519-749-3302 (*Service*)

**CHRISTIE Digital Systems, Inc.**

10550 Camden Drive  
Cypress, CA 90630USA  
Tel. 714-236-8610 (*General*)  
Toll Free 1-800-221-8025  
(*Technical Support*)  
Fax 519-749-3302 (*Service*)

## EUROPE

**CHRISTIE Digital Systems, Inc.**

Image Point  
58 Suttons Park Ave.  
Reading, Berkshire RG6 1AZ  
United Kingdom  
Tel. +44-118-926-6300  
Fax +44-118-926-6322

**CHRISTIE Digital Systems, Inc.**

Hohenzollernstraße 124-126  
41061 Mönchengladbach  
Germany  
Tel. +49-2161-664540  
Fax +49-2161-664546

## ASIA-PACIFIC

**CHRISTIE Digital Systems, Inc.**

37 Tannery Lane  
# 03-05 Tannery House  
Singapore 347790  
Tel. 65-749-5525  
Fax 65-744-2900

**CHRISTIE Sales (Canada)**

Tel. 1-800-265-2171  
Fax 519-749-3136

**CHRISTIE Sales (U.S.)**

Tel. 1-800-407-7727 or 1-800-333-3816  
Fax 714-503-3375

# VIVID LINE DRAWING

