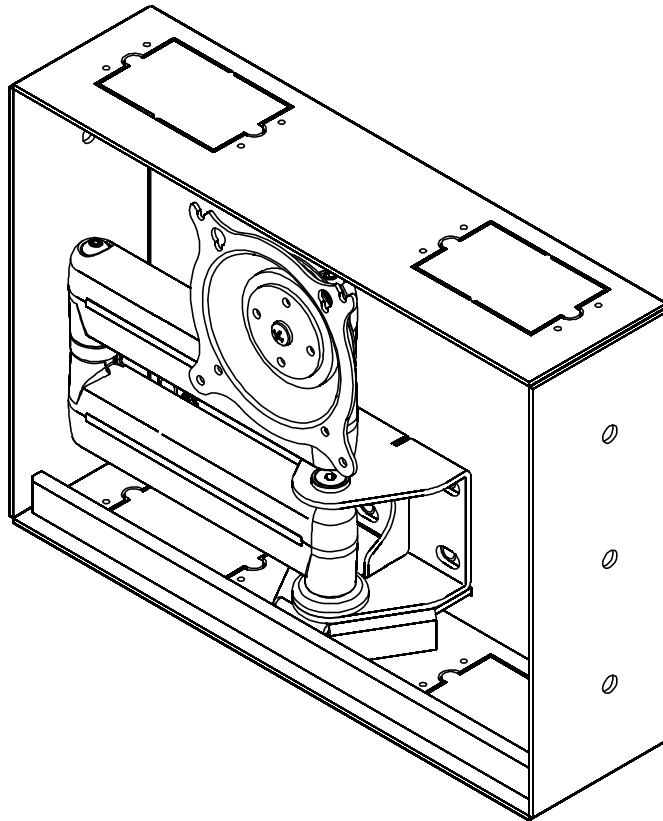


---

# INSTALLATION INSTRUCTIONS

---



---

## IN-WALL ENCLOSURE

---

## DISCLAIMER

Milestone AV Technologies, and its affiliated corporations and subsidiaries (collectively, "Milestone"), intend to make this manual accurate and complete. However, Milestone makes no claim that the information contained herein covers all details, conditions or variations, nor does it provide for every possible contingency in connection with the installation or use of this product. The information contained in this document is subject to change without notice or obligation of any kind. Milestone makes no representation of warranty, expressed or implied, regarding the information contained herein. Milestone assumes no responsibility for accuracy, completeness or sufficiency of the information contained in this document.

Chief® is a registered trademark of Milestone AV Technologies. All rights reserved.



## IMPORTANT WARNINGS AND CAUTIONS!



**WARNING:** A WARNING alerts you to the possibility of serious injury or death if you do not follow the instructions.



**CAUTION:** A CAUTION alerts you to the possibility of damage or destruction of equipment if you do not follow the corresponding instructions.



**WARNING:** Failure to read, thoroughly understand, and follow all instructions can result in serious personal injury, damage to equipment, or voiding of factory warranty! It is the installer's responsibility to make sure all components are properly assembled and installed using the instructions provided.



**CAUTION:** This equipment must be installed and assembled by qualified service personnel in accordance with local building codes.

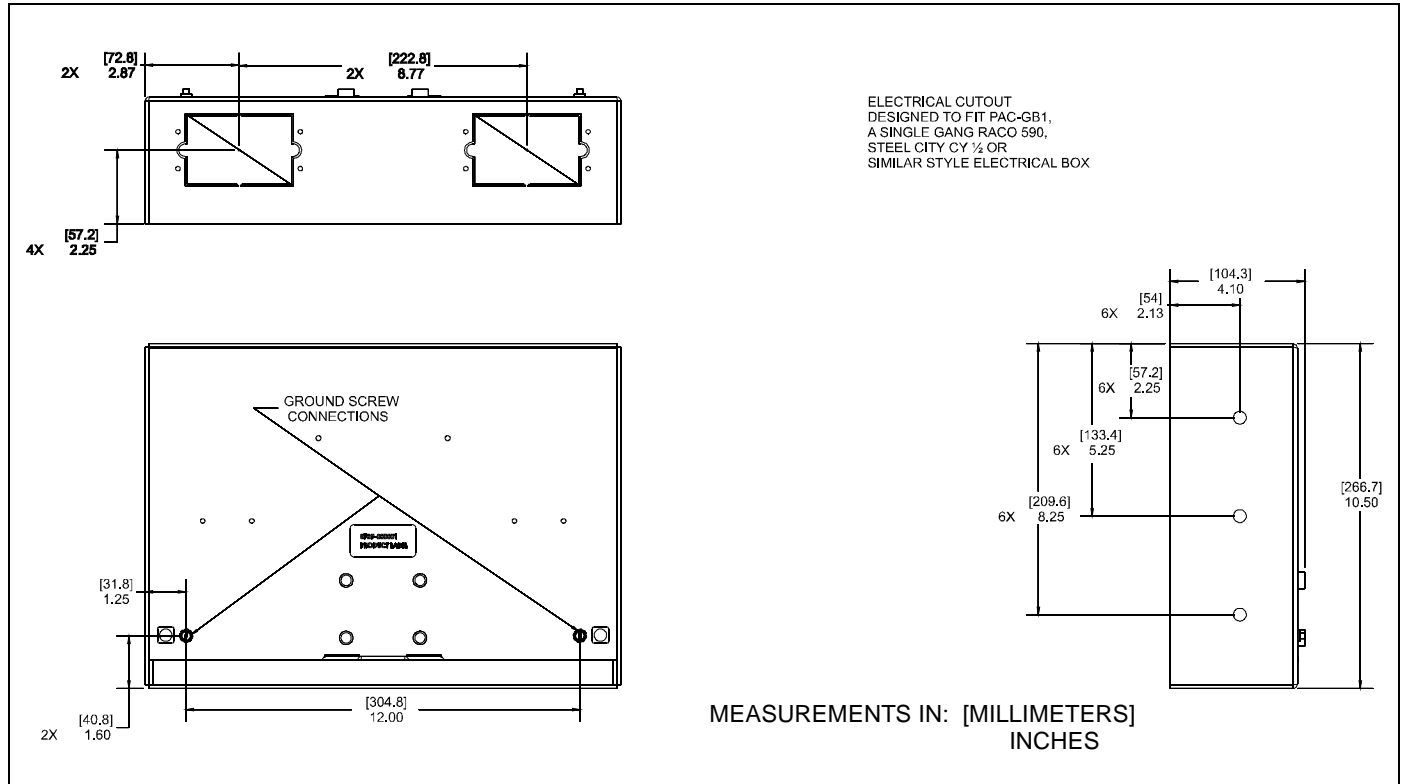


**WARNING:** Failure to provide adequate structural strength for this accessory can result in serious personal injury or damage to equipment! It is the installer's responsibility to make sure the structure to which this accessory is attached can support the combined weight of the box and all equipment not to exceed 40 lbs (18.14 kg).

## NOTES:

- **SUITABLE FOR USE IN OTHER ENVIRONMENTAL AIR SPACE IN ACCORDANCE WITH SECTION 300.22, (C) OF THE NATIONAL ELECTRICAL CODE.**
- The maximum specified ambient temperature of the cabinet system is 40° - 120°F (4° - 49°).
- Minimum spacings between the accessories and components and the housing for Information Technology Communication Equipment shall be maintained for safe operation of the equipment when installed in accordance with the National Electric Code, ANSI/NFPA 70-1999. Refer to communication equipment manufacturer's specifications for minimum spacings.
- This Cabinet System is for use with ITE or Audio/Video equipment only.

**DIMENSIONS**



**LEGEND**

|  |                              |
|--|------------------------------|
|  | <b>Tighten Fastener</b>      |
|  | Apretar elemento de fijación |
|  | Befestigungsteil festziehen  |
|  | Apertar fixador              |
|  | Serrare il fissaggio         |
|  | Bevestiging vastdraaien      |
|  | Serrez les fixations         |

|  |                    |
|--|--------------------|
|  | <b>Pencil Mark</b> |
|  | Marcar con lápiz   |
|  | Stiftmarkierung    |
|  | Marcar com lápis   |
|  | Segno a matita     |
|  | Potloodmerkteken   |
|  | Marquage au crayon |

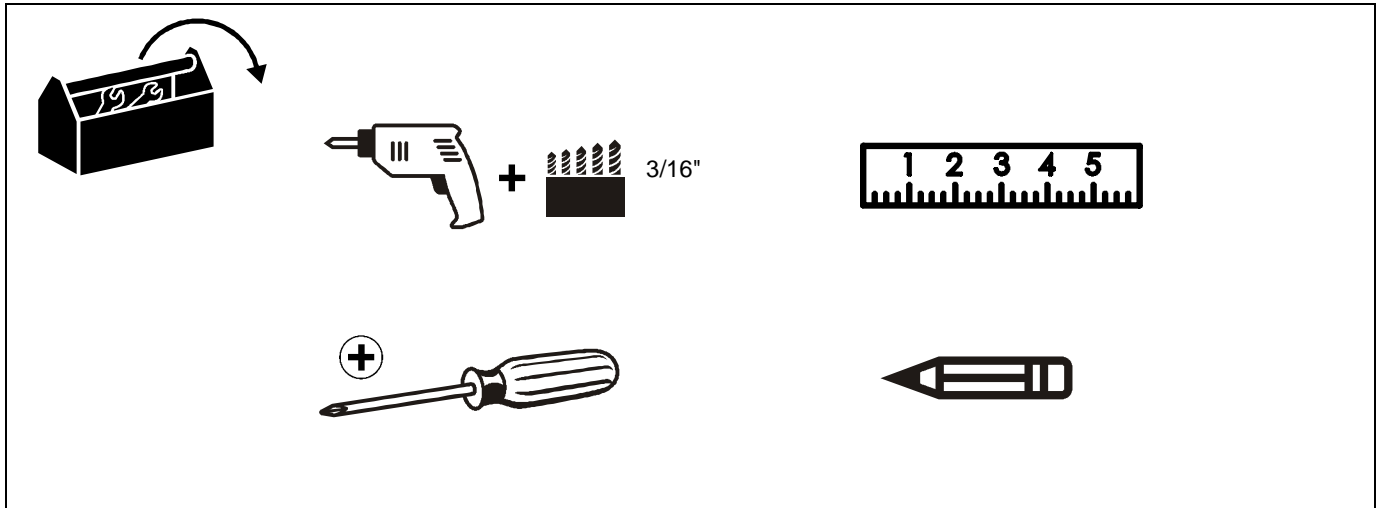
|  |                              |
|--|------------------------------|
|  | <b>Loosen Fastener</b>       |
|  | Aflojar elemento de fijación |
|  | Befestigungsteil lösen       |
|  | Desapertar fixador           |
|  | Allentare il fissaggio       |
|  | Bevestiging losdraaien       |
|  | Desserrez les fixations      |

|  |                   |
|--|-------------------|
|  | <b>Drill Hole</b> |
|  | Perforar          |
|  | Bohrloch          |
|  | Fazer furo        |
|  | Praticare un foro |
|  | Gat boren         |
|  | Percez un trou    |

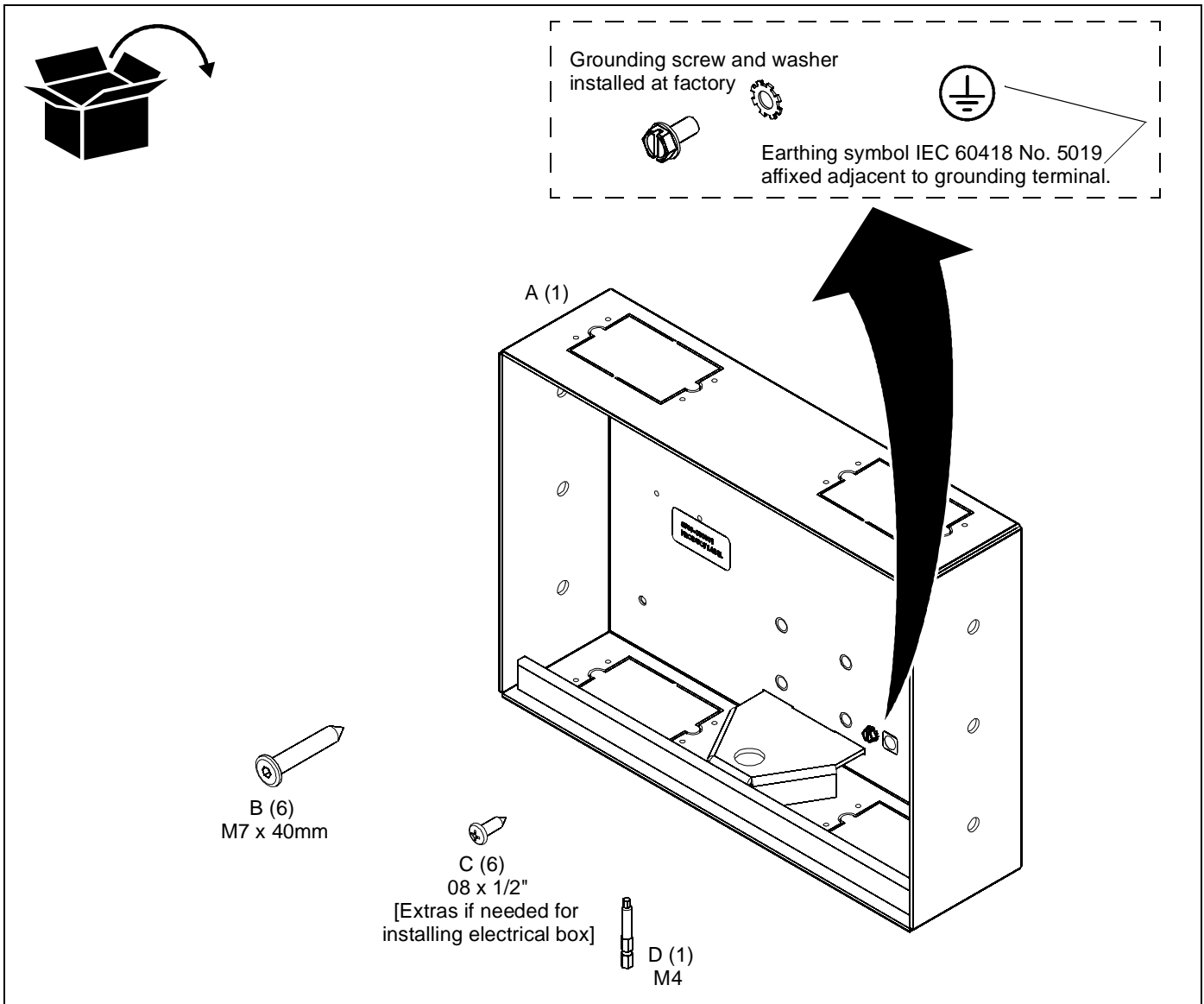
|  |                               |
|--|-------------------------------|
|  | <b>Phillips Screwdriver</b>   |
|  | Destornillador Phillips       |
|  | Kreuzschlitzschraubendreher   |
|  | Chave de fendas Phillips      |
|  | Cacciavite a stella           |
|  | Kruiskopschroevendraaier      |
|  | Tournevis à pointe cruciforme |

|  |                           |
|--|---------------------------|
|  | <b>Hex-Head Wrench</b>    |
|  | Llave de cabeza hexagonal |
|  | Sechskantschlüssel        |
|  | Chave de cabeça sextavada |
|  | Chiave esagonale          |
|  | Zeskantsleutel            |
|  | Clé à tête hexagonale     |

### TOOLS REQUIRED FOR INSTALLATION



### PARTS



## INSTALLATION



**WARNING:** IMPROPER INSTALLATION CAN RESULT DEATH OR SERIOUS PERSONAL INJURY! This accessory should be installed by qualified personnel.

### Site Preparation

#### Locate and Prepare Mounting Site

1. Identify a suitable wall location for the in-wall enclosure.

**IMPORTANT ! :** The FAC-501 is designed for in-wall installation between two wood studs, 16" on center. Inadequate space will remain on each side between studs for electrical wires/cables, plumbing, ductwork, or insulation. Locate accordingly!



**WARNING:** ELECTRICAL SHOCK HAZARD! CUTTING OR DRILLING INTO ELECTRICAL WIRES OR CABLES CAN CAUSE DEATH OR SERIOUS PERSONAL INJURY! ALWAYS make certain area behind mounting surfaces is free of electrical wires and cables before cutting, drilling, or installing fasteners.



**WARNING:** EXPLOSION AND FIRE HAZARD! CUTTING OR DRILLING INTO GAS PLUMBING CAN CAUSE DEATH OR SERIOUS PERSONAL INJURY! ALWAYS make certain area behind mounting surfaces is free of gas, water, waste, or any other plumbing before cutting, drilling, or installing fasteners.

2. Using a stud sensor, locate and mark studs.
3. Center and level housing between marked studs.
4. Using housing as a template, draw pencil line completely around housing.

**NOTE:** Housing is designed to fit between and directly against two adjacent wall studs.

5. Cut drywall on *outside* edge of line and remove.

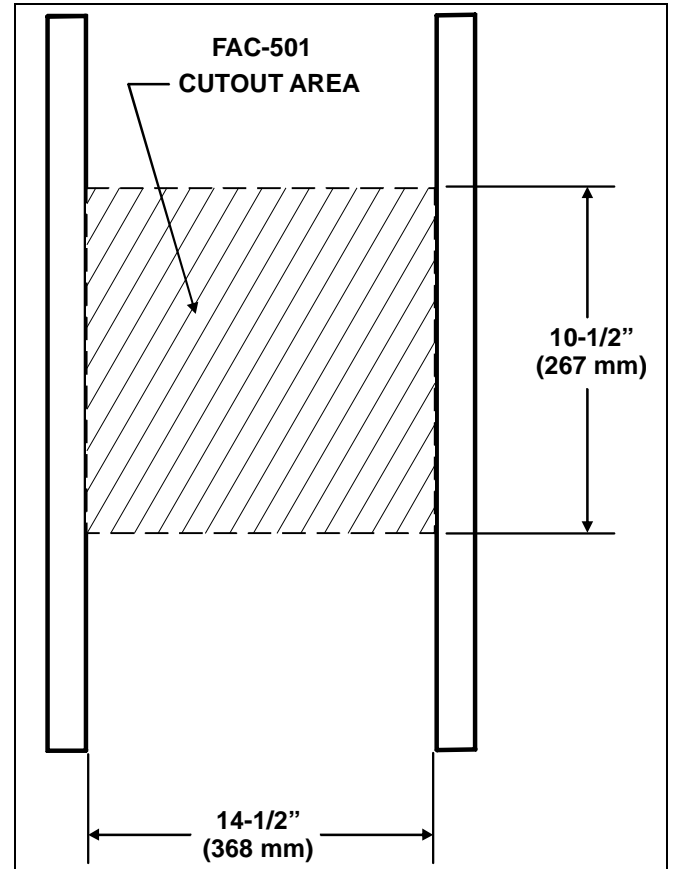


Figure 1

### In-Wall Enclosure Installation

1. Install PAC-GB1 electrical box accessory into the FAC-501 (A) following instructions included with the PAC-GB1.
2. Connect electrical wiring.
3. Route audio/visual cables into housing.
4. Center FAC-501 (A) in opening and insert into opening. Align front of box with front face of wall. (See Figure 2)

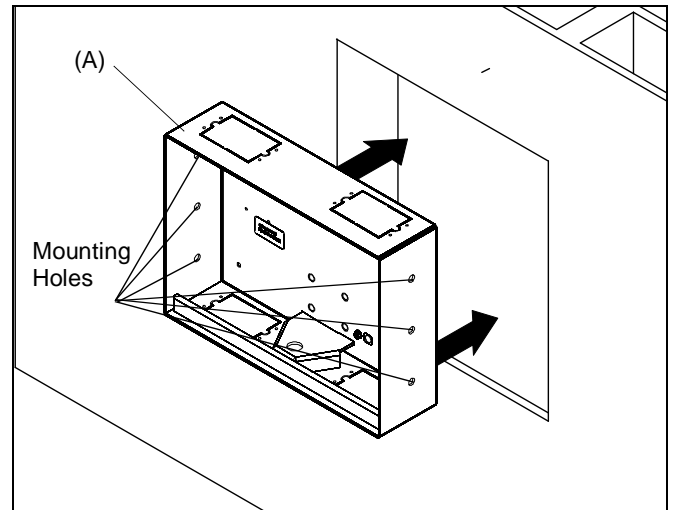


Figure 2

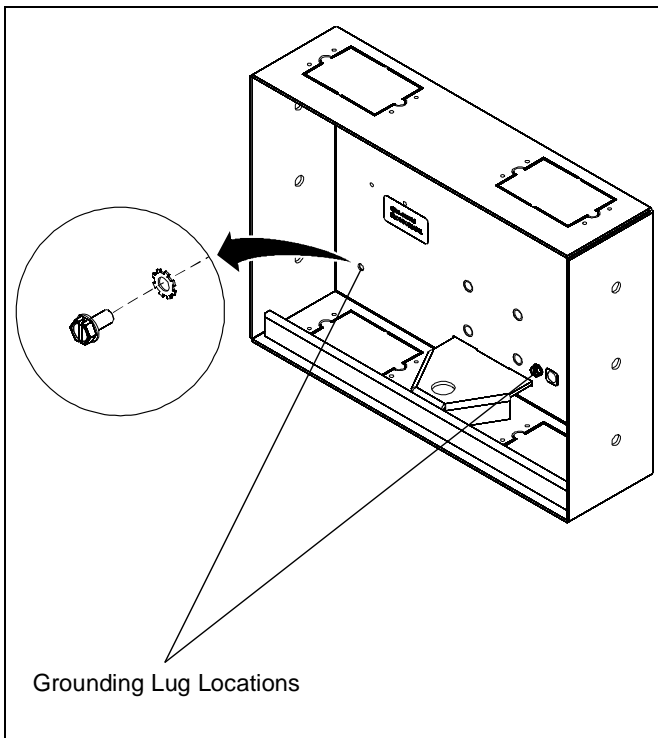


**WARNING:** ELECTRICAL SHOCK HAZARD! CUTTING OR DRILLING INTO ELECTRICAL WIRES OR CABLES CAN CAUSE DEATH OR SERIOUS PERSONAL INJURY! ALWAYS make certain area behind mounting surfaces is free of electrical wires and cables before cutting, drilling, or installing fasteners.

5. Drill six 3/16" diameter pilot holes in studs at mounting holes.
6. Attach the FAC-501 (A) using six M7 x 40mm Allen head connector screws (B) into pilot holes using an M4 Allen head drill bit (D).



**DANGER:** IMPROPER WIRING CAN LEAD TO DEATH OR SEVERE PERSONAL INJURY! Grounding must be installed by qualified personnel using a UL Recognized No. 12AWG Green and Yellow grounding wire connected to grounding lug on mount.



**Figure 3**

### Installing Arm Kit

Install arm kit following instructions included with the kit.





Our Mounts. **Your Vision.**

Chief Manufacturing, a products division  
of Milestone AV Technologies

8807-000071 RevB

©2009 Milestone AV Technologies, a

Duchossois Group Company

[www.chiefmfg.com](http://www.chiefmfg.com)

06/09

**USA/International** A 8401 Eagle Creek Parkway, Savage, MN 55378  
P 800.582.6480 / 952.894.6280  
F 877.894.6918 / 952.894.6918

**Europe** A Fellenoord 130 5611 ZB EINDHOVEN, The Netherlands  
P +31 (0)40 2668620  
F +31 (0)40 2668615

**Asia Pacific** A Room 24F, Block D, Lily YinDu International Building  
LuoGang, BuJi Town, Shenzhen, CHINA.  
深圳市布吉罗岗村百合银都国际大厦D栋24F  
P +86-755-8996 9226  
F +86-755-8996 9217

