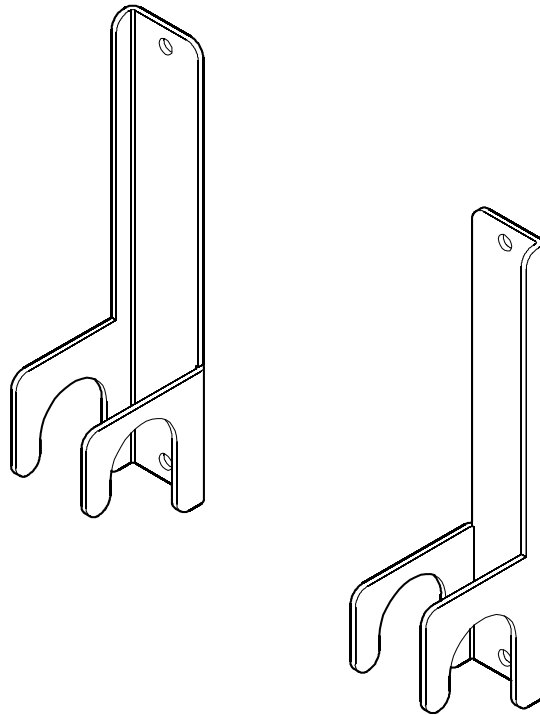

INSTALLATION INSTRUCTIONS




FUSION™ CAT 5 Surge Adapter Bracket


DISCLAIMER


Milestone AV Technologies and its affiliated corporations and subsidiaries (collectively "Milestone"), intend to make this manual accurate and complete. However, Milestone makes no claim that the information contained herein covers all details, conditions or variations, nor does it provide for every possible contingency in connection with the installation or use of this product. The information contained in this document is subject to change without notice or obligation of any kind. Milestone makes no representation of warranty, expressed or implied, regarding the information contained herein. Milestone assumes no responsibility for accuracy, completeness or sufficiency of the information contained in this document.


Chief® is a registered trademark of Milestone AV Technologies. All rights reserved.


IMPORTANT WARNINGS AND CAUTIONS!

 **WARNING:** A WARNING alerts you to the possibility of serious injury or death if you do not follow the instructions.

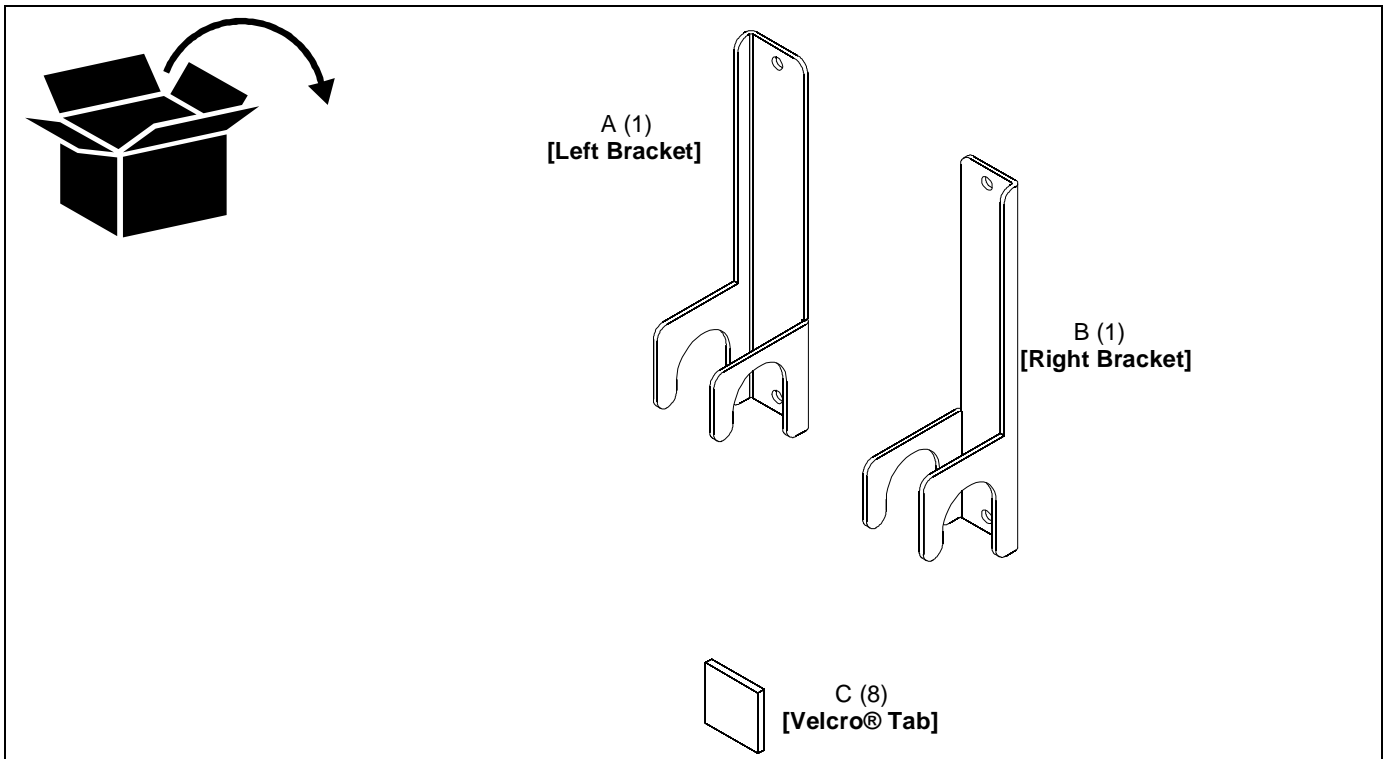
 **CAUTION:** A CAUTION alerts you to the possibility of damage or destruction of equipment if you do not follow the corresponding instructions.

 **WARNING:** Failure to read, thoroughly understand, and follow all instructions can result in serious personal injury, damage to equipment, or voiding of factory warranty! It is the installer's responsibility to make sure all components are properly assembled and installed using the instructions provided.

 **WARNING:** Failure to provide adequate structural strength for this component can result in serious personal injury or damage to equipment! It is the installer's responsibility to make sure the structure to which this component is attached can support five times the combined weight of all equipment. Reinforce the structure as required before installing the component.

 **WARNING:** Exceeding the weight capacity can result in serious personal injury or damage to equipment! It is the installer's responsibility to make sure the combined weight of all components located on the FCA100 does not exceed 10 lbs (4.5 kg).

PARTS



INSTALLATION

NOTE: The FCA100 may be used to support a surge adapter or other components that don't exceed the weight capacity of the FCA100.

1. Put Velcro tabs (C) together so there are 4 squares of Velcro.
2. Remove paper from one side of each of the four Velcro squares.
3. Attach Velcro squares to the left and right brackets (A and B). (See Figure 1)

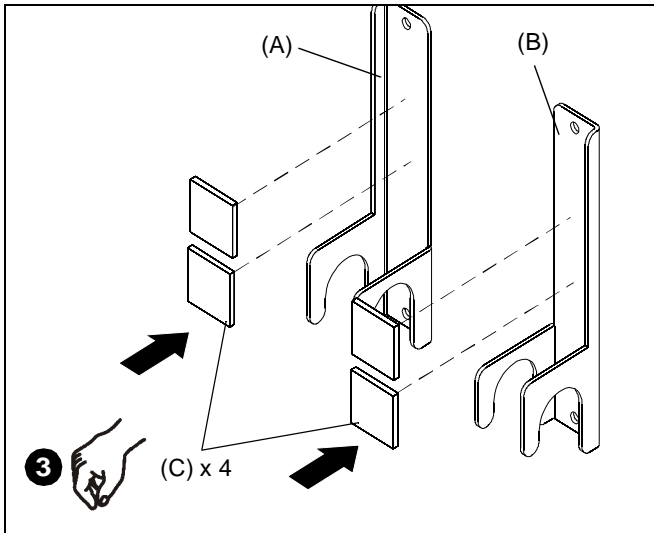


Figure 1

4. Remove paper from Velcro squares and press the surge adapter, or other component, against the left and right brackets.

NOTE: Rest the surge adapter on the inside legs of the brackets. (See Figure 2)

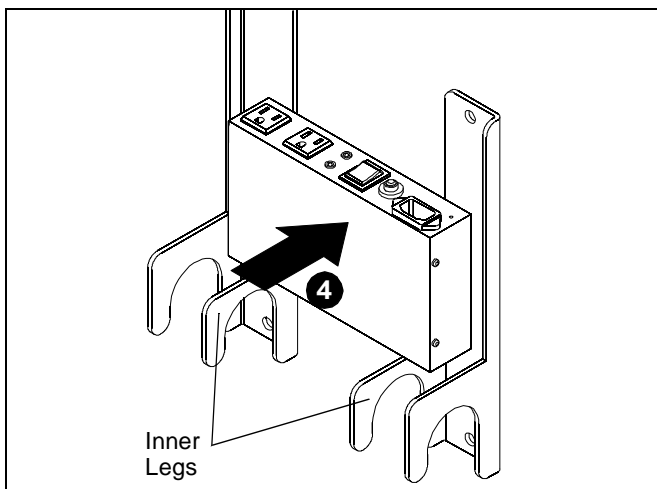


Figure 2

5. Place the left and right brackets with the surge adapter onto the wall mount. (See Figure 3)

NOTE: The brackets may be placed on either the upper or lower wall mount rail.

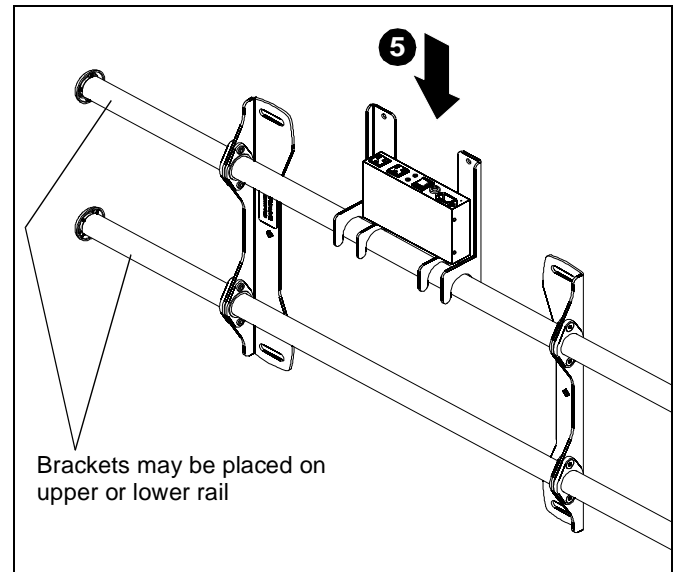


Figure 3



Our Mounts. **Your Vision.**

Chief Manufacturing, a products division
of Milestone AV Technologies

8805-000260 Rev00
©2009 Milestone AV Technologies, a
Duchossois Group Company
www.chiefmfg.com
02/09

USA/International A 8401 Eagle Creek Parkway, Savage, MN 55378
P 800.582.6480 / 952.894.6280
F 877.894.6918 / 952.894.6918

Europe A Fellenoord 130 5611 ZB EINDHOVEN, The Netherlands
P +31 (0)40 2668620
F +31 (0)40 2668615

Asia Pacific A Room 24F, Block D, Lily YinDu International Building
LuoGang, BuJi Town, Shenzhen, CHINA.
深圳市布吉罗岗村百合银都国际大厦D栋24F
P +86-755-8996 9226
F +86-755-8996 9217

