

INSTALLATION INSTRUCTIONS

FCA101 Fusion™ Security Collar Kit

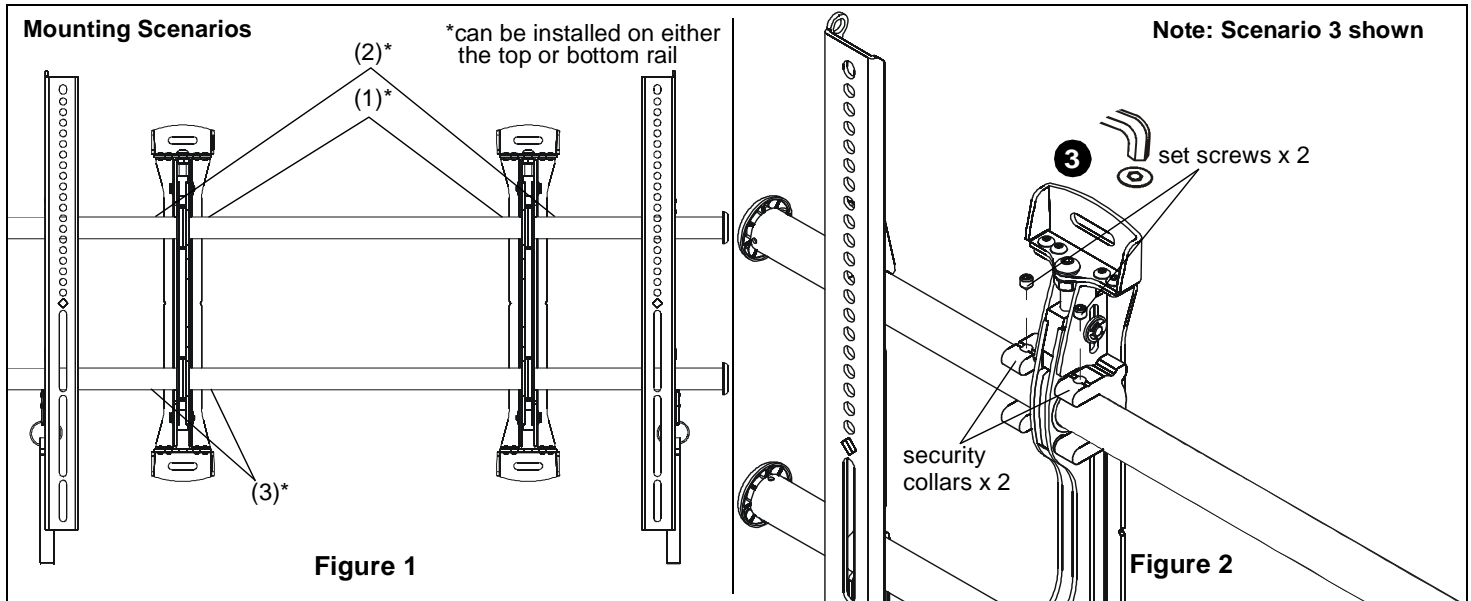
The FCA101 security collars are designed to fit all Fusion™ series mounts. They provide additional security by preventing the mounted screen from sliding laterally and being completely removed from the uprights.

Unpack carton and verify kit contents. If any listed parts are missing, immediately contact a Chief Customer Service representative.



WARNING: IMPROPER INSTALLATION CAN LEAD TO EQUIPMENT FALLING CAUSING SERIOUS PERSONAL INJURY AND DAMAGE TO EQUIPMENT! DO NOT substitute hardware. Use only hardware supplied by manufacturer!

- | | |
|--|-------------------------------------|
| (2) FCA101 Security Collars | (2) 5/16-18 x 3/8" Set Screws |
| (2) 5/16-18 x 3/8" Security Set Screws | (1) 5/32 x 6" Security Allen Wrench |



Installation Instructions

1. Position uprights on rails at desired viewing position.

NOTE: Collars should be installed as close to the uprights as possible in order to prevent any sliding. They can be installed either just inside each upright (1), just outside each upright (2) or on either side of a single upright (3) in order to be effective. (See Figure 1)

2. Slide FCA101 security collars onto rails at desired locking locations.

NOTE: Collars can be installed on either the top or bottom rail.

NOTE: Additional collars (sold as separate kits) may be used for increased security.

NOTE: If some lateral shift is desired, collars can be installed further from the uprights in order to allow for limited lateral shift capability.

3. Secure collars to rails using either security or non-security set screws. (See Figure 2)

Chief® and Fusion™ are registered trademarks of Milestone AV Technologies. All rights reserved.



Milestone AV Technologies, and its affiliated corporations and subsidiaries (collectively, "Milestone"), intend to make this manual accurate and complete. However, Milestone makes no claim that the information contained herein covers all details, conditions or variations, nor does it provide for every possible contingency in connection with the installation or use of this product. The information contained in this document is subject to change without notice or obligation of any kind. Milestone makes no representation of warranty, expressed or implied, regarding the information contained herein. Milestone assumes no responsibility for accuracy, completeness or sufficiency of the information contained in this document.