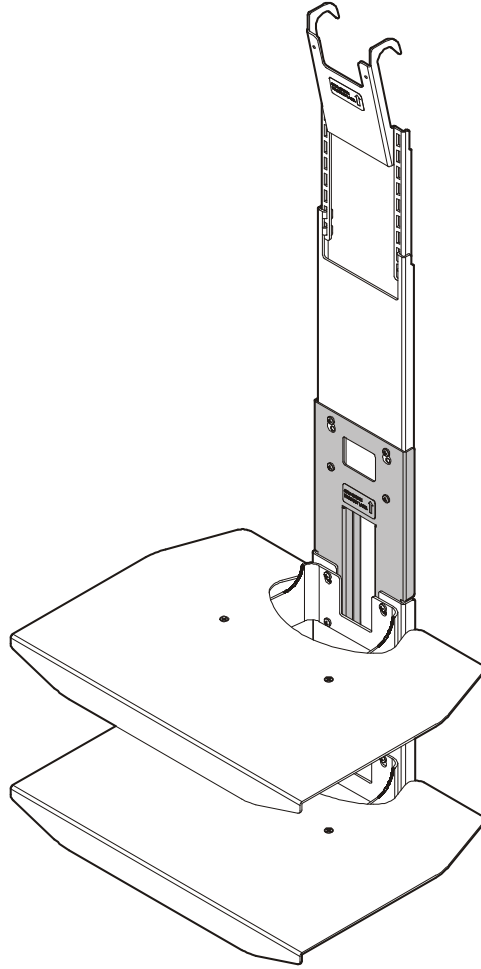


INSTALLATION INSTRUCTIONS



Shelf Extender

DISCLAIMER

Milestone AV Technologies and its affiliated corporations and subsidiaries (collectively "Milestone"), intend to make this manual accurate and complete. However, Milestone makes no claim that the information contained herein covers all details, conditions or variations, nor does it provide for every possible contingency in connection with the installation or use of this product. The information contained in this document is subject to change without notice or obligation of any kind. Milestone makes no representation of warranty, expressed or implied, regarding the information contained herein. Milestone assumes no responsibility for accuracy, completeness or sufficiency of the information contained in this document.

Chief® is a registered trademark of Milestone AV Technologies. All rights reserved.

! IMPORTANT SAFETY INSTRUCTIONS!

! WARNING: A WARNING alerts you to the possibility of serious injury or death if you do not follow the instructions.

! CAUTION: A CAUTION alerts you to the possibility of damage or destruction of equipment if you do not follow the corresponding instructions.

! WARNING: Failure to read, thoroughly understand, and follow all instructions can result in serious personal injury,

damage to equipment, or voiding of factory warranty! It is the installer's responsibility to make sure all components are properly assembled and installed using the instructions provided.

! WARNING: Failure to provide adequate structural strength for this component can result in serious personal injury or damage to equipment! It is the installer's responsibility to make sure the structure to which this component is attached can support five times the combined weight of all equipment. Reinforce the structure as required before installing the component.

! WARNING: Exceeding the weight capacity can result in serious personal injury or damage to equipment! It is the installer's responsibility to make sure the combined weight of all components located on the FCA104 does not exceed 20 lbs (9.1 kg).

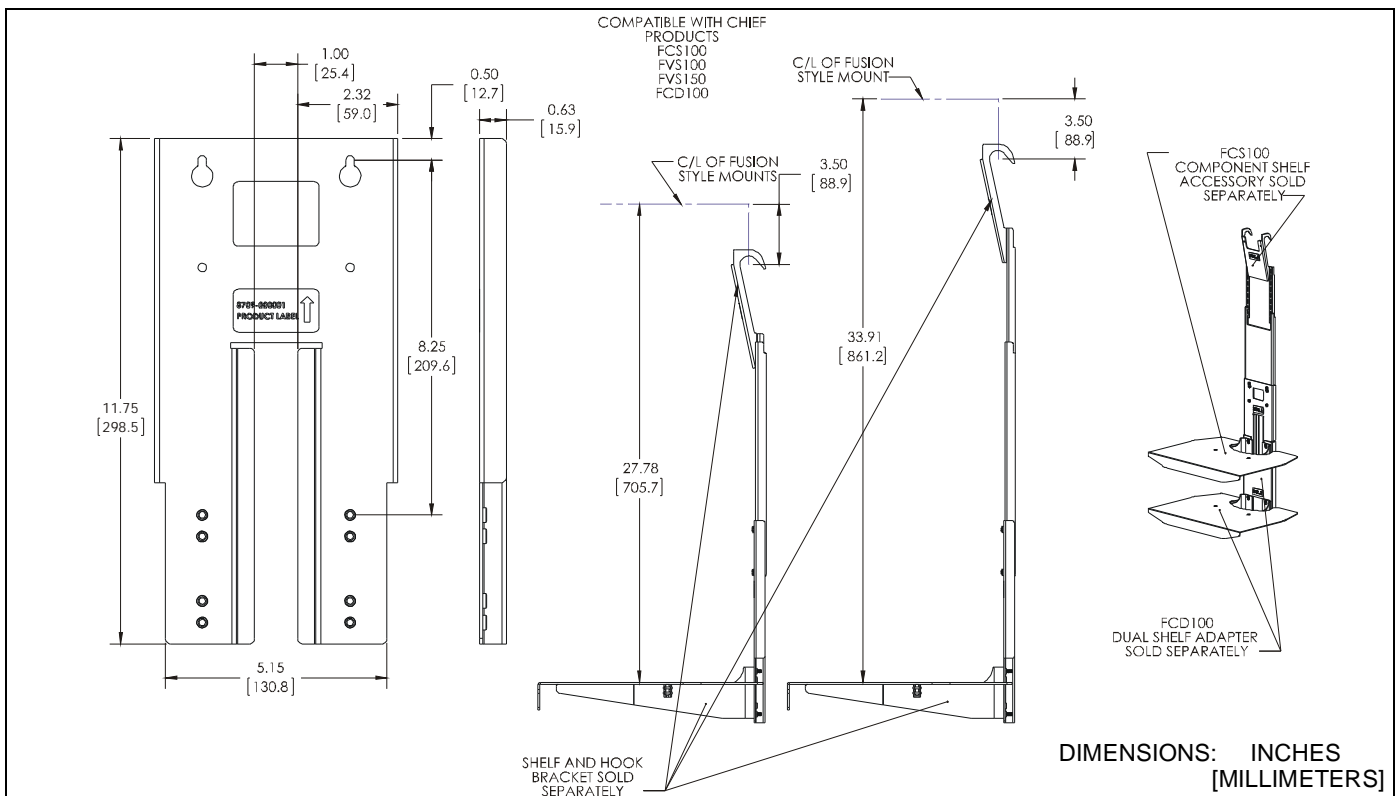
! WARNING: RISK OF INJURY TO PERSONS! Do not use this mounting system to support video equipment such as televisions or computer monitors.

! WARNING: Do not use this product outdoors.

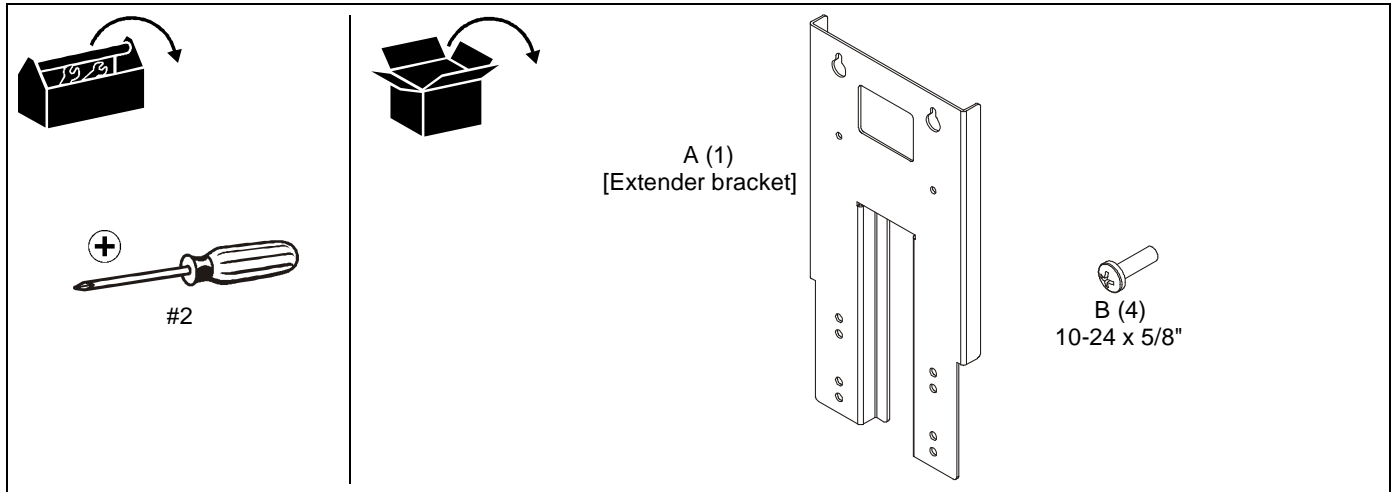
--SAVE THESE INSTRUCTIONS--

IMPORTANT ! : The FCA104 is designed to be used with Fusion™ component shelves (FCS100, FVS100, FVS150, FCD100).

DIMENSIONS



TOOLS REQUIRED FOR INSTALLATION / PARTS



INSTALLATION

NOTE: The FCA104 is designed to be used with Fusion™ component shelves (FCS100, FVS100, FVS150, FCD100).

1. Install two 10-24 x 5/8" Phillips pan head screws (B) into component shelf hanger bracket (not included). (See Figure 1)
2. Hang extender bracket (A) onto screws installed in Step 1.
3. Tighten screws installed in Step 1.
4. Install and tighten two 10-24 x 5/8" Phillips pan head screws (B) through two lower holes on extender bracket (A) into component shelf hanger bracket.
5. Complete installation of component shelf following instructions included with shelf.

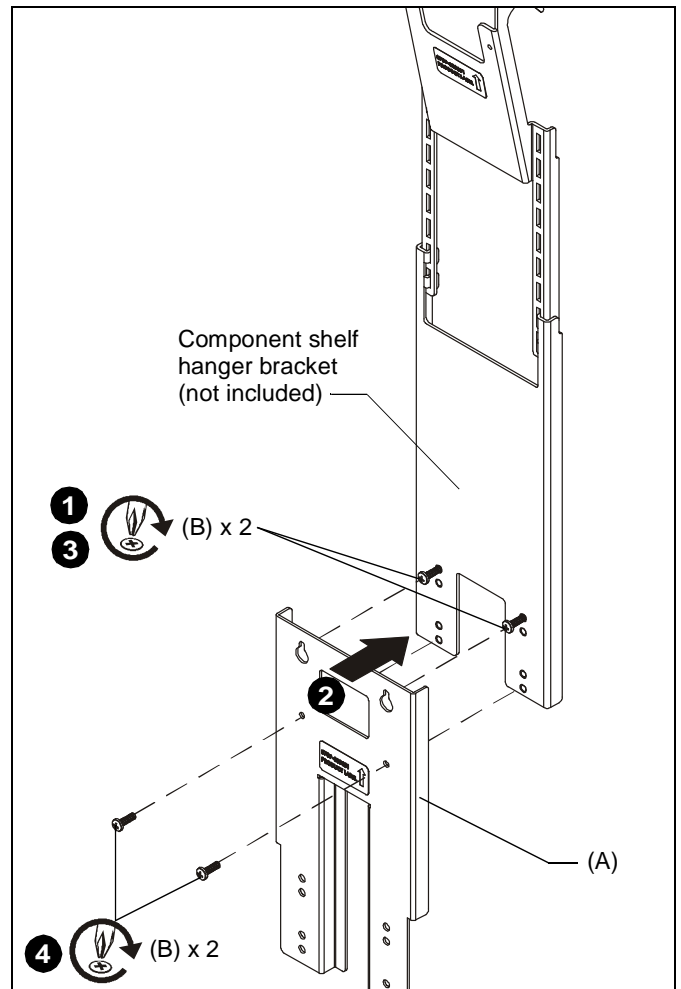


Figure 1



Our Mounts. **Your Vision.**

Chief Manufacturing, a products division
of Milestone AV Technologies

8800-002256 Rev00
©2012 Milestone AV Technologies, a
Duchossois Group Company
www.chiefmfg.com
10/12

USA/International	A 6436 City West Parkway, Eden Prairie, MN 55344 P 800.582.6480 / 952.225.6000 F 877.894.6918 / 952.894.6918
Europe	A Franklinstraat 14, 6003 DK Weert, Netherlands P +31 (0) 495 580 852 F +31 (0) 495 580 845
Asia Pacific	A Office No. 1 on 12/F, Shatin Galleria 18-24 Shan Mei Street Fotan, Shatin, Hong Kong P 852 2145 4099 F 852 2145 4477

