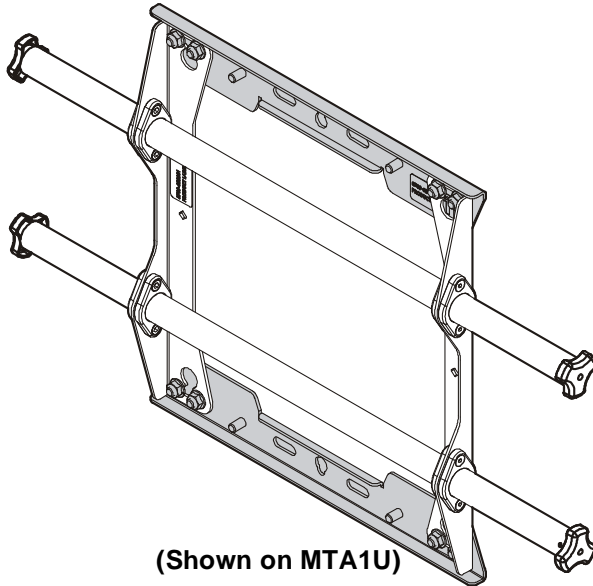
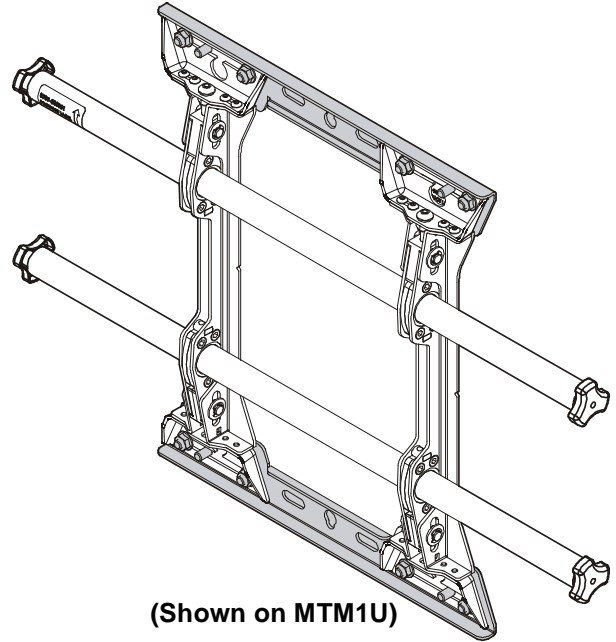

INSTALLATION INSTRUCTIONS



(Shown on MTA1U)



(Shown on MTM1U)

Fusion Single Stud Accessory

DISCLAIMER

Milestone AV Technologies and its affiliated corporations and subsidiaries (collectively "Milestone"), intend to make this manual accurate and complete. However, Milestone makes no claim that the information contained herein covers all details, conditions or variations, nor does it provide for every possible contingency in connection with the installation or use of this product. The information contained in this document is subject to change without notice or obligation of any kind. Milestone makes no representation of warranty, expressed or implied, regarding the information contained herein. Milestone assumes no responsibility for accuracy, completeness or sufficiency of the information contained in this document.

Chief® is a registered trademark of Milestone AV Technologies. All rights reserved.



IMPORTANT SAFETY INSTRUCTIONS



WARNING: A WARNING alerts you to the possibility of serious injury or death if you do not follow the instructions.



CAUTION: A CAUTION alerts you to the possibility of damage or destruction of equipment if you do not follow the corresponding instructions.



WARNING: Failure to read, thoroughly understand, and follow all instructions can result in serious personal injury, damage to equipment, or voiding of factory warranty! It is the installer's responsibility to make sure all components are properly assembled and installed using the instructions provided.



WARNING: Exceeding the weight capacity can result in serious personal injury or damage to equipment! Adding the FCA1S accessory does NOT change the weight capacity listed for the mount. Consult (Table 1) for mounting system's weight capacity details.



WARNING: Use this accessory only for its intended use as described in these instructions. Do not use attachments not recommended by the manufacturer.



WARNING: Never operate this accessory if it is damaged. Return the accessory to a service center for examination and repair.



WARNING: Do not use this product outdoors.

Table 1: Weight Capacities

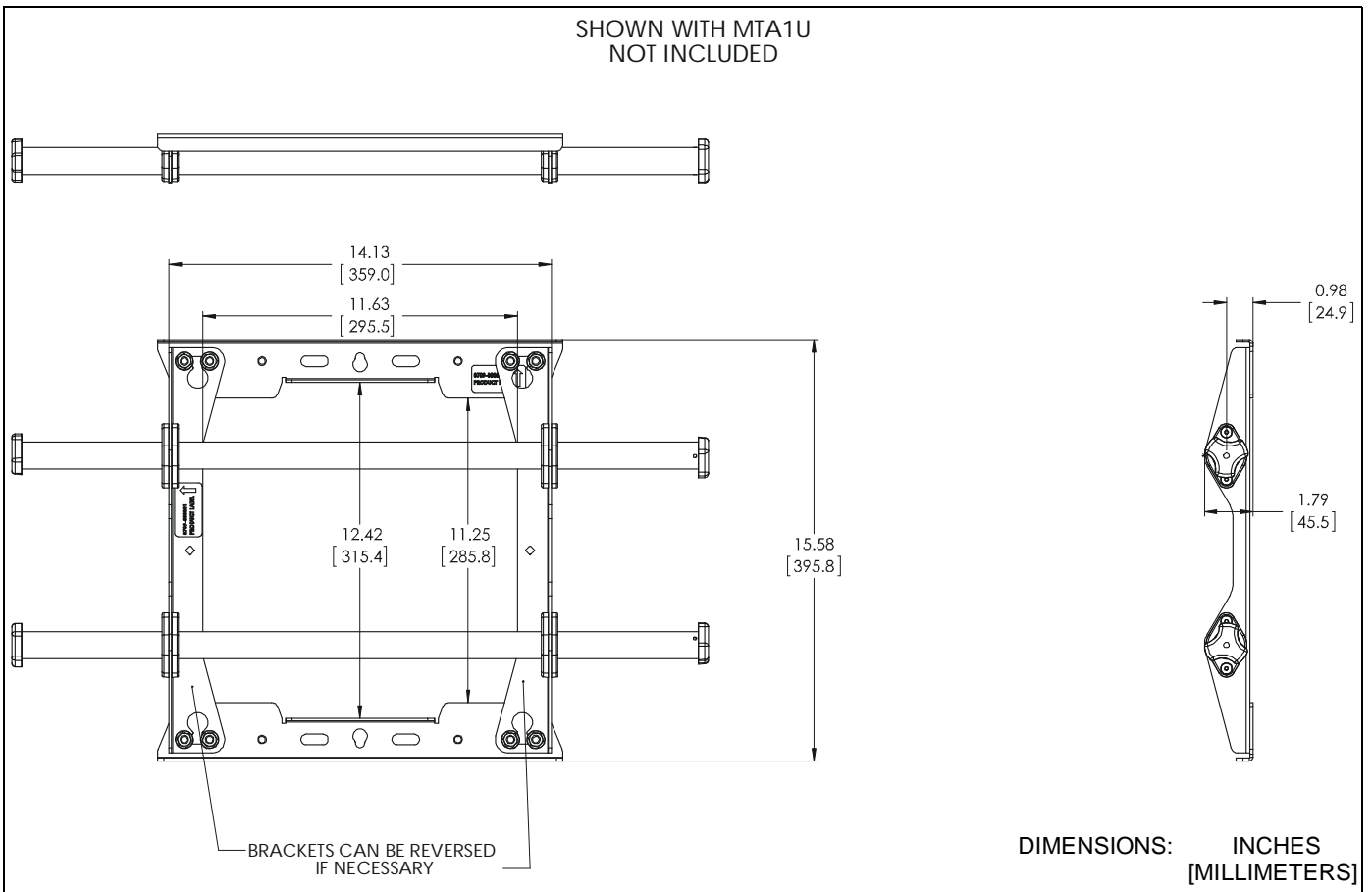
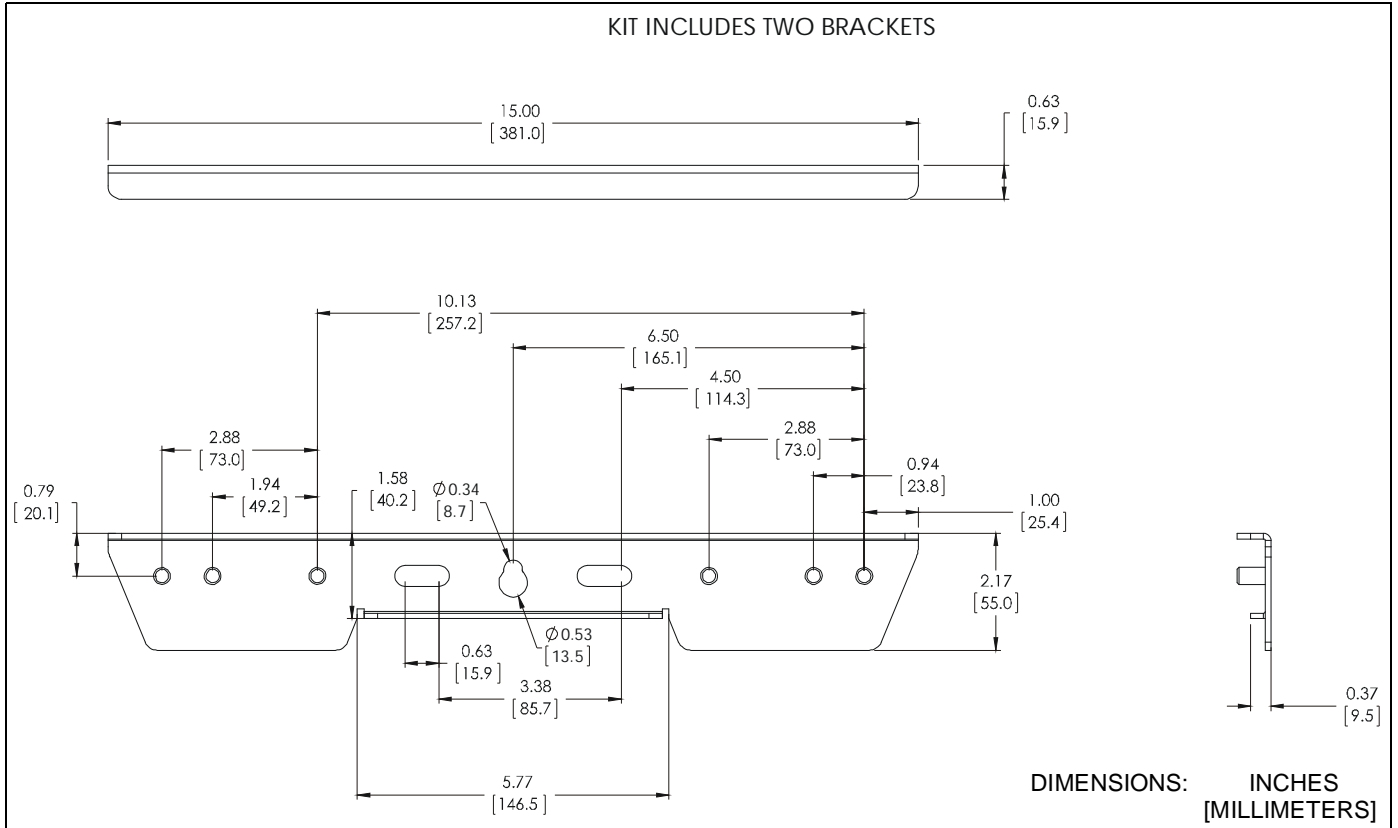
MODEL	Max Weight Capacity of Mounting System
MTM1U	125 lbs (56.7 kg)
MSM1U	125 lbs (56.7 kg)
MTA1U	125 lbs (56.7 kg)
MSA1U	125 lbs (56.7 kg)

NOTE: The FCA1S is intended to be used with:

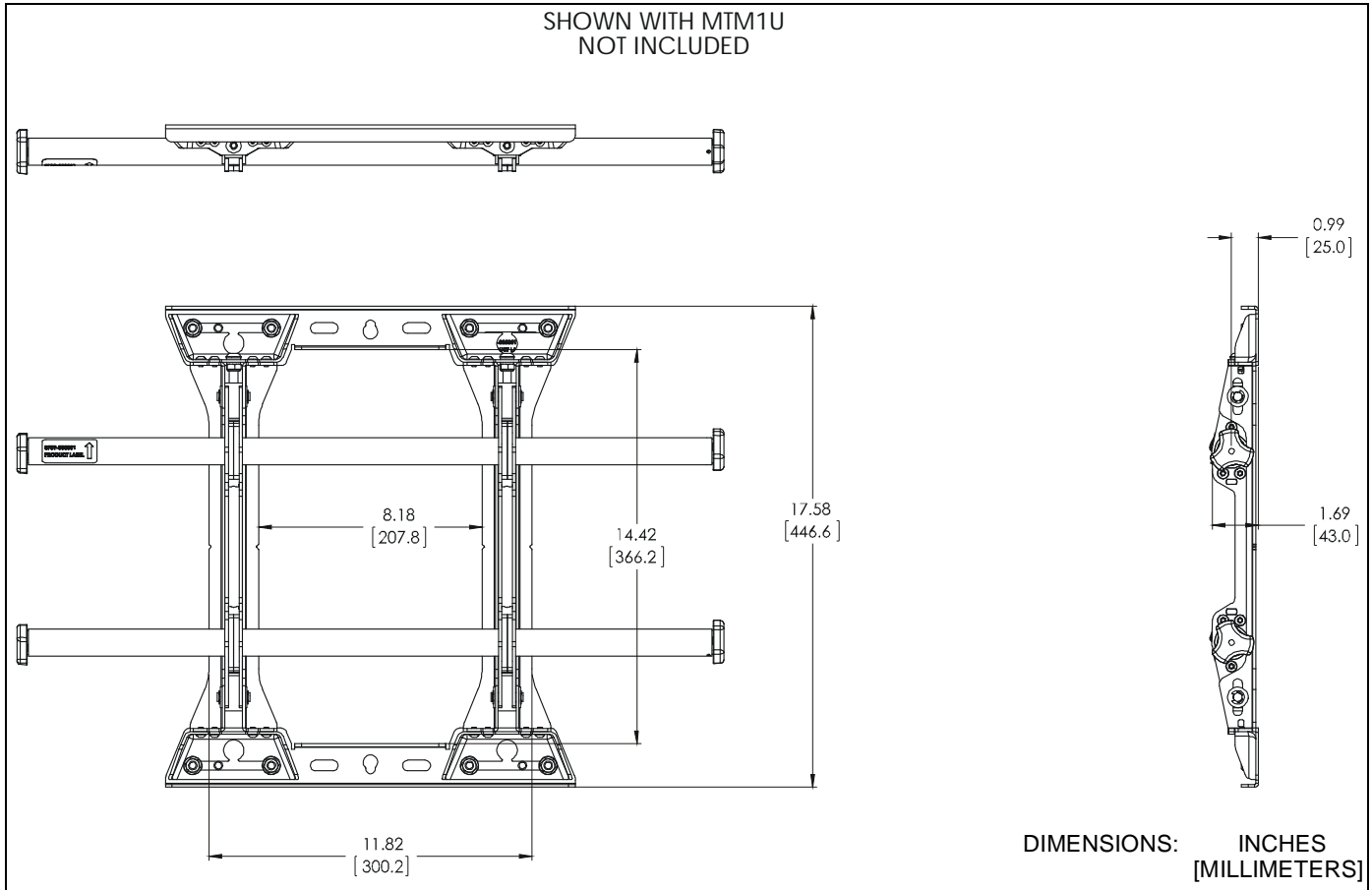
- MTM1/MSM1 Series
- MTA1/MSA1 Series

--SAVE THESE INSTRUCTIONS--

DIMENSIONS



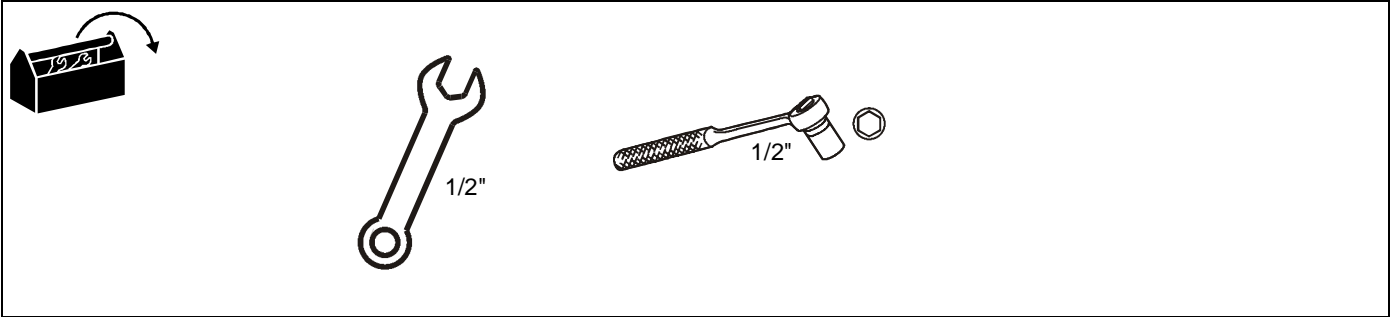
DIMENSIONS -- continued



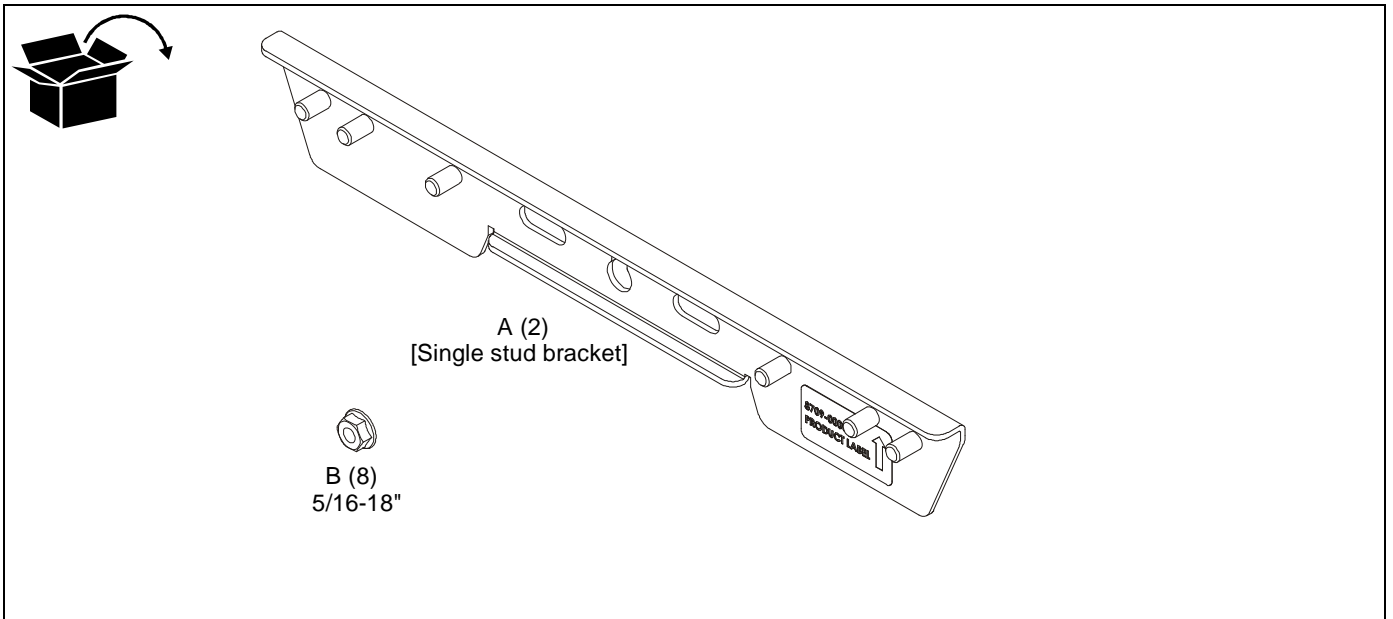
LEGEND

	Tighten Fastener
	Apretar elemento de fijación
	Befestigungsteil festziehen
	Apertar fixador
	Serrare il fissaggio
	Bevestiging vastdraaien
Serrez les fixations	
	Loosen Fastener
	Aflojar elemento de fijación
	Befestigungsteil lösen
	Desapertar fixador
	Allentare il fissaggio
	Bevestiging losdraaien
Desserrez les fixations	
	Open-Ended Wrench
	Llave de boca
	Gabelschlüssel
	Chave de bocas
	Chiave a punte aperte
	Steeksleutel
Clé à fourche	

TOOLS REQUIRED FOR INSTALLATION



PARTS



INSTALLATION

NOTE: The FCA1S enables the mount to be attached to a single stud, rather than to dual studs.

1. Assemble the single stud brackets-upper and lower-(B) to the MSM1/MTM1 (See Figure 1) or MSA1/MTA1 mount (See Figure 2) using eight 5/16" hex nuts (C).

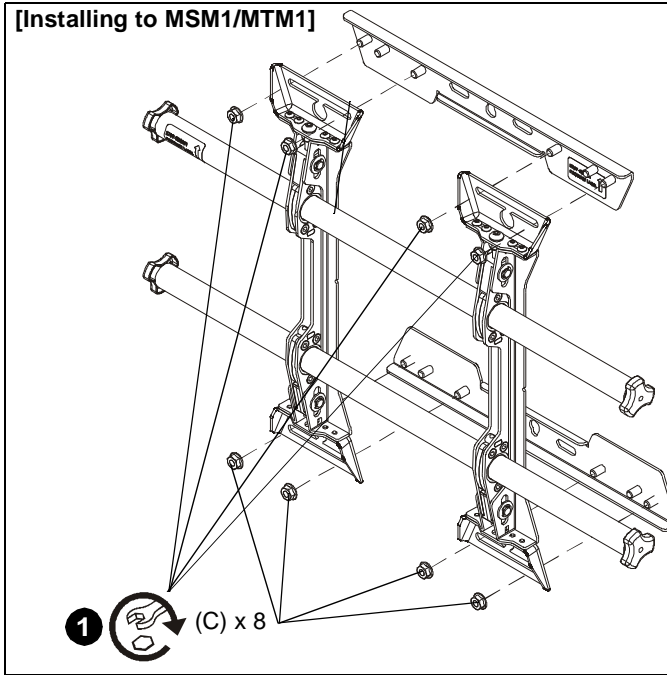


Figure 1

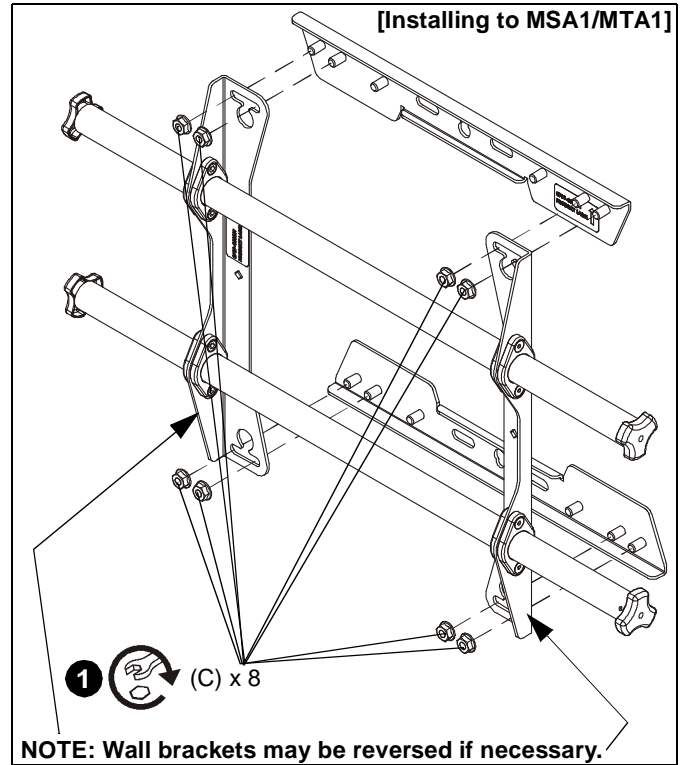


Figure 2

IMPORTANT ! : When installing to a single stud, ONLY the center teardrop slots may be used for attachment. (See Figure 3)

2. The mount may now be installed on a single stud following installation instructions included with the mount.

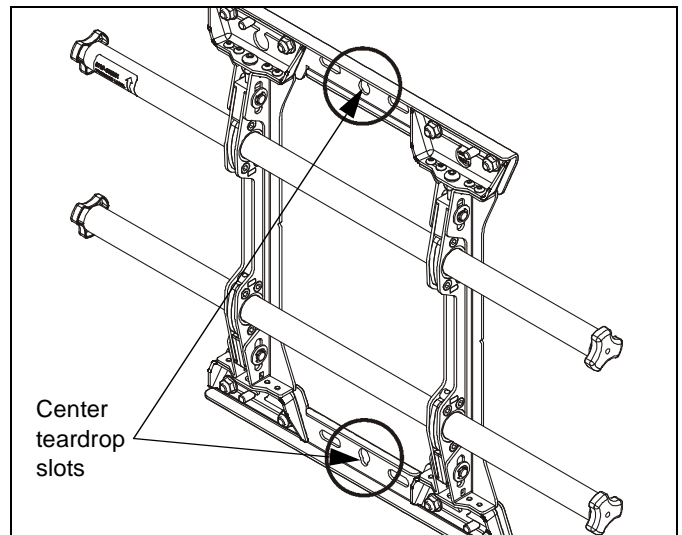


Figure 3



Our Mounts. **Your Vision.**

Chief, a products division of
Milestone AV Technologies

8800-002672 Rev00
©2015 Milestone AV Technologies
www.chiefmfg.com
01/15

USA/International	A 6436 City West Parkway, Eden Prairie, MN 55344 P 800.582.6480 / 952.225.6000 F 877.894.6918 / 952.894.6918
Europe	A Franklinstraat 14, 6003 DK Weert, Netherlands P +31 (0) 495 580 852 F +31 (0) 495 580 845
Asia Pacific	A Office No. 918 on 9/F, Shatin Galleria 18-24 Shan Mei Street Fotan, Shatin, Hong Kong P 852 2145 4099 F 852 2145 4477

