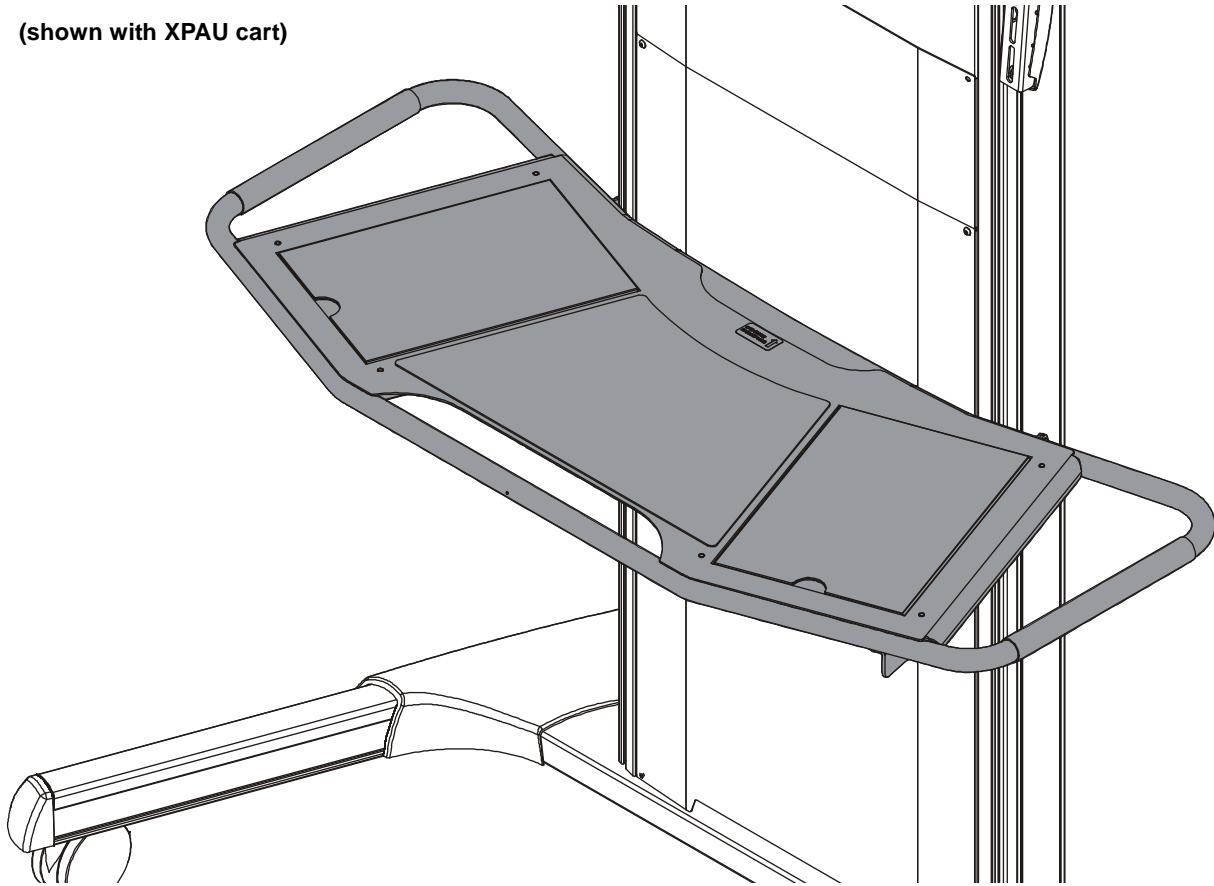


---

# INSTALLATION INSTRUCTIONS

---

(shown with XPAU cart)



---

## Large Shelf for Fusion™ Cart

---

## DISCLAIMER

Milestone AV Technologies and its affiliated corporations and subsidiaries (collectively "Milestone"), intend to make this manual accurate and complete. However, Milestone makes no claim that the information contained herein covers all details, conditions or variations, nor does it provide for every possible contingency in connection with the installation or use of this product. The information contained in this document is subject to change without notice or obligation of any kind. Milestone makes no representation of warranty, expressed or implied, regarding the information contained herein. Milestone assumes no responsibility for accuracy, completeness or sufficiency of the information contained in this document.

Chief® is a registered trademark of Milestone AV Technologies. All rights reserved.

## DEFINITIONS

**MOUNTING SYSTEM:** A MOUNTING SYSTEM is the primary Chief product to which an accessory and/or component is attached.

**ACCESSORY:** AN ACCESSORY is the secondary Chief product which is attached to a primary Chief product, and may have a component attached or setting on it.

**COMPONENT:** A COMPONENT is an audiovisual item designed to be attached or resting on an accessory or mounting system such as a video camera, CPU, screen, display, projector, etc.



**WARNING:** A WARNING alerts you to the possibility of serious injury or death if you do not follow the instructions.



**CAUTION:** A CAUTION alerts you to the possibility of damage or destruction of equipment if you do not follow the corresponding instructions.



## IMPORTANT SAFETY INSTRUCTIONS



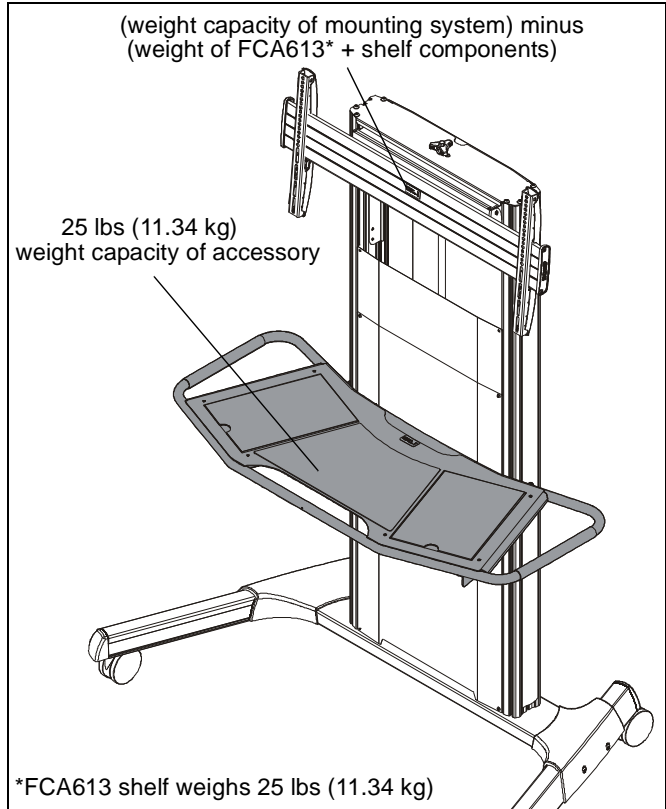
**WARNING:** Failure to read, thoroughly understand, and follow all instructions can result in serious personal injury, damage to equipment, or voiding of factory warranty! It is the installer's responsibility to make sure all accessories are properly assembled and installed using the instructions provided.



**WARNING:** Exceeding the weight capacity can result in serious personal injury or damage to equipment! It is the installer's responsibility to make sure the combined weight of all components located on the FCA613 does not exceed 25 lbs (11.34 kg).



**WARNING:** Use of this accessory will decrease the weight capacity of the mounting system to which it is attached by the combined weight of the accessory and all components supported by this accessory. See Figure below for reference.



**WARNING:** Use this accessory only for its intended use as described in these instructions. Do not use attachments not recommended by the manufacturer.



**WARNING:** Never operate this accessory if it is damaged. Return the accessory to a service center for examination and repair.



**WARNING:** Do not use this product outdoors.



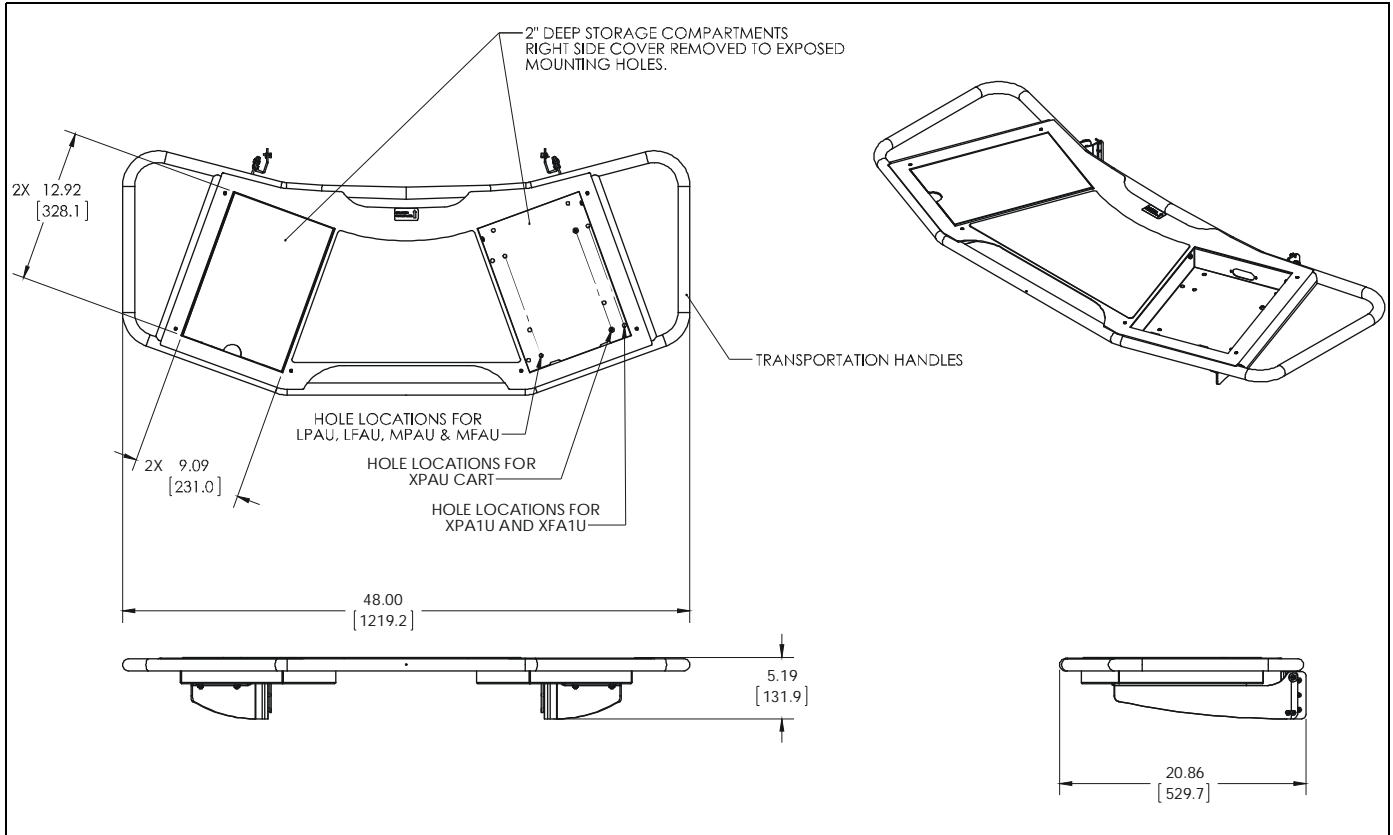
**WARNING:** RISK OF INJURY TO PERSONS! Do not place video equipment such as televisions or computer monitors on shelf.

**NOTE:** The FCA613 shelf is compatible with the following models:

- MPAU
- MFAU
- LFAU
- LPAU
- XFA1U
- XPA1U
- XPAU

**--SAVE THESE INSTRUCTIONS--**

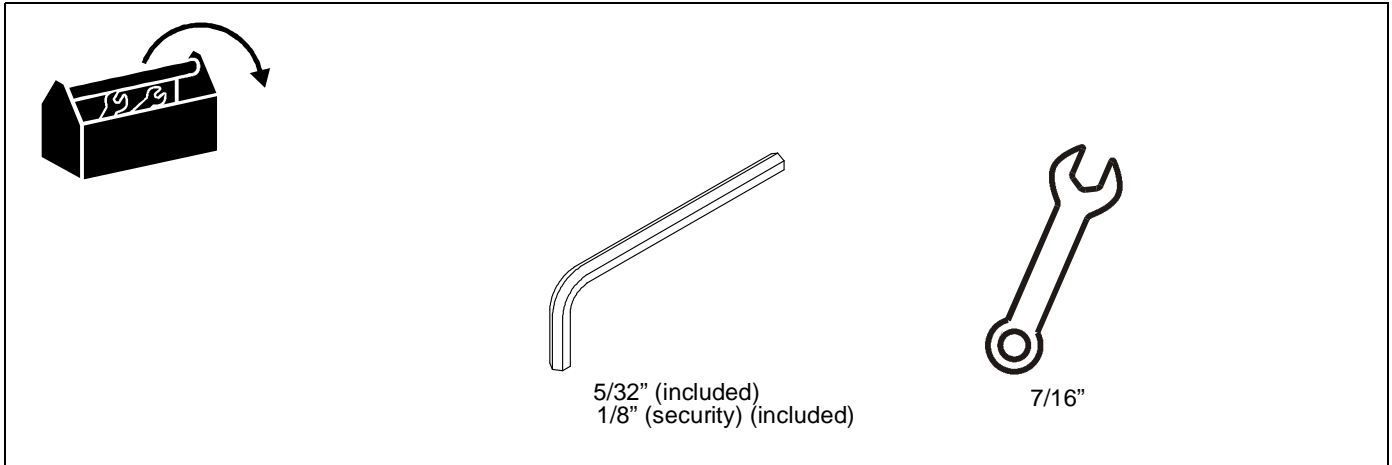
### DIMENSIONS



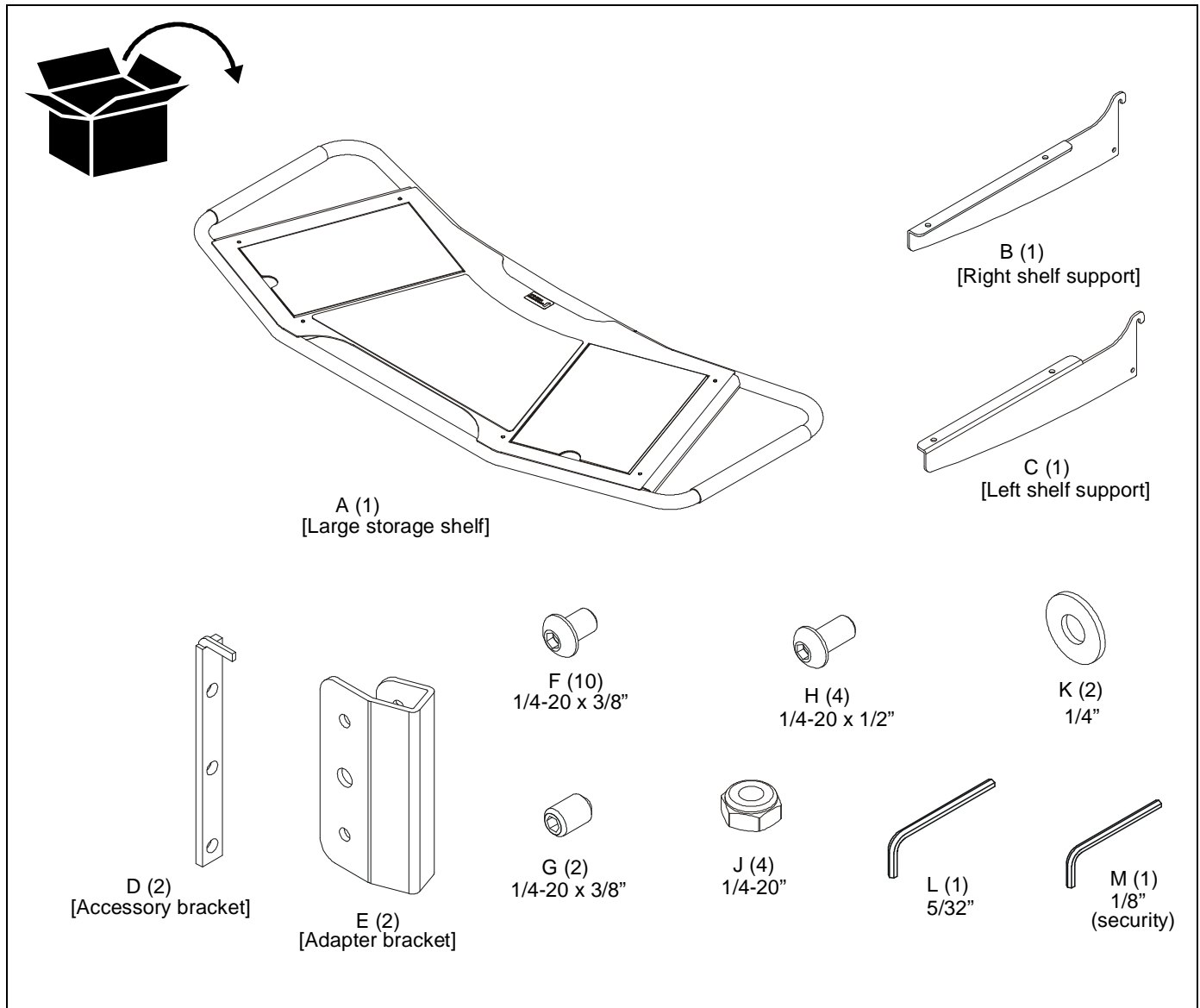
## LEGEND

	<b>Tighten Fastener</b> Apretar elemento de fijación Befestigungsteil festziehen Apertar fixador Serrare il fissaggio Bevestiging vastdraaien Serrez les fixations		<b>Pencil Mark</b> Marcar con lápiz Stiftmarkierung Marcar com lápis Segno a matita Potloodmerkteken Marquage au crayon
	<b>Loosen Fastener</b> Aflojar elemento de fijación Befestigungsteil lösen Desapertar fixador Allentare il fissaggio Bevestiging losdraaien Desserrez les fixations		<b>Drill Hole</b> Perforar Bohrloch Fazer furo Praticare un foro Gat boren Percez un trou
	<b>Phillips Screwdriver</b> Destornillador Phillips Kreuzschlitzschraubendreher Chave de fendas Phillips Cacciavite a stella Kruiskopschroevendraaier Tournevis à pointe cruciforme		<b>Adjust</b> Ajustar Einstellen Ajustar Regolare Afstellen Ajuster
	<b>Open-Ended Wrench</b> Llave de boca Gabelschlüssel Chave de bocas Chiave a punte aperte Steeksleutel Clé à fourche		<b>Remove</b> Quitar Entfernen Remover Rimuovere Verwijderen Retirez
	<b>By Hand</b> A mano Von Hand Com a mão A mano Met de hand À la main		<b>Optional</b> Opcional Optional Opcional Opzionale Optie En option
	<b>Hex-Head Wrench</b> Llave de cabeza hexagonal Sechskantschlüssel Chave de cabeça sextavada Chiave esagonale Zeskantsleutel Clé à tête hexagonale		<b>Security Wrench</b> Llave de seguridad Sicherheitsschlüssel Chave de segurança Chiave di sicurezza Veiligheidsleutel Clé de sécurité

**TOOLS REQUIRED FOR INSTALLATION**



**PARTS**



### Assembly And Installation

**NOTE:** The following procedure assumes the Fusion™ Cart/Stand has already been completely assembled with the display attached.

**IMPORTANT ! :** The FCA613 shelf has been designed specifically for Chief's Fusion™ Series Carts and Stands. DO NOT attempt to install this shelf onto any other cart or stand!

1. Remove side covers from cart/stand by sliding them up the channel. (See Figure 1)

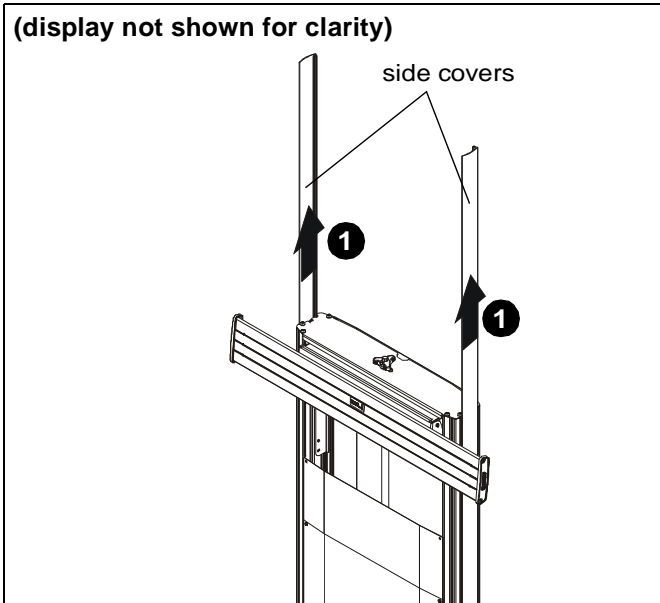


Figure 1

2. Slide accessory bracket (D) down side channel of cart. (See Figure 2)

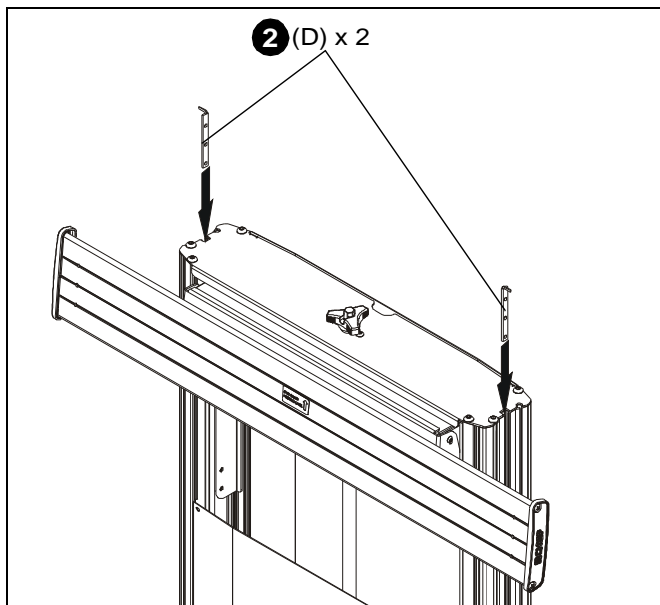


Figure 2

3. Install 1/4-20 x 3/8" set screw (G) into middle hole of accessory bracket (D). (See Figure 3)
4. Install two 1/4-20 x 3/8" button head cap screws (F) through upper and lower holes on adapter bracket (E) and accessory bracket (D). (See Figure 3)

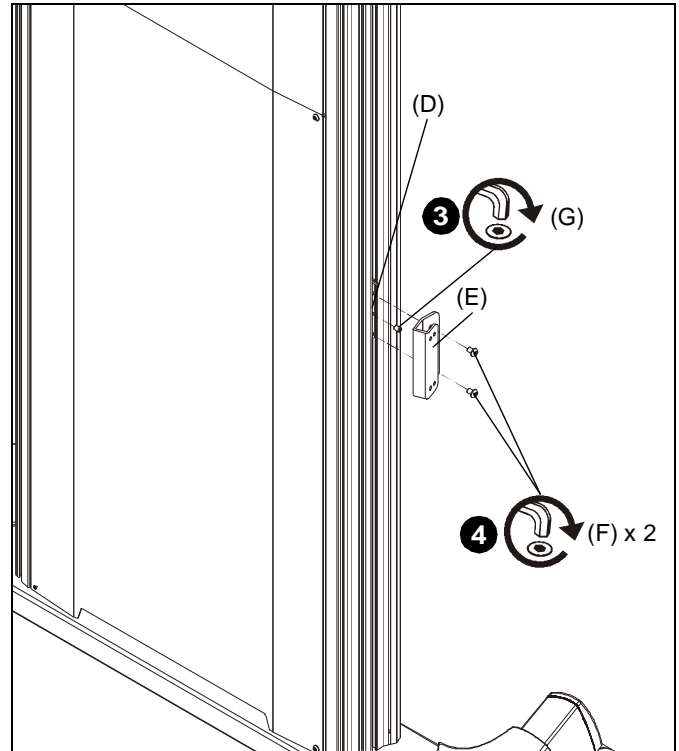


Figure 3

5. Loosely install 1/4-20 x 3/8" button head cap screw (F) into lower back hole on adapter bracket (E). (See Figure 4)
6. Loosely install 1/4-20 x 3/8" button head cap screw (F) through 1/4" washer (K) and into upper back hole on adapter bracket (E). (See Figure 4)

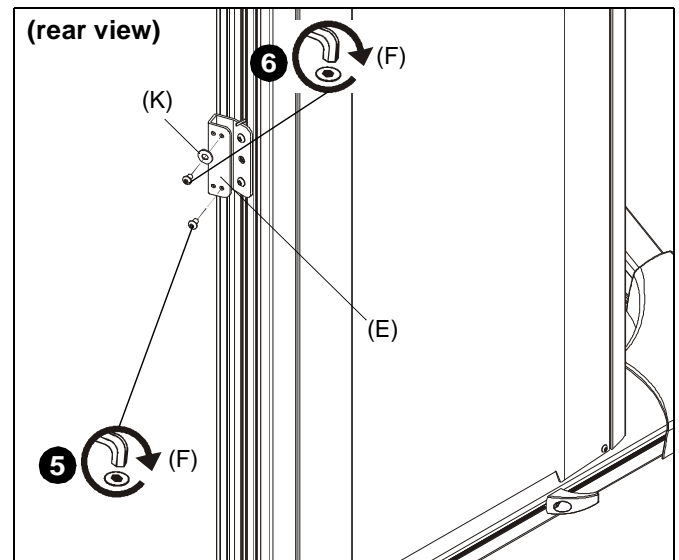


Figure 4

7. Hang shelf support (B or C) onto top screw installed in Step 6. (See Figure 5)
8. Tighten top screw to ensure shelf support is secured in position. (See Figure 5)

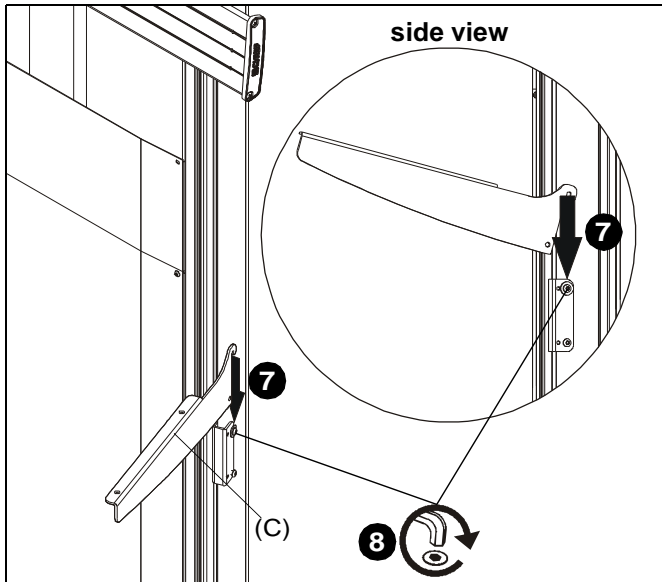


Figure 5

9. Install 1/4-20 x 3/8" button head cap screw (F) into lower front hole to secure shelf support (B or C) to adapter bracket (E). (See Figure 6)

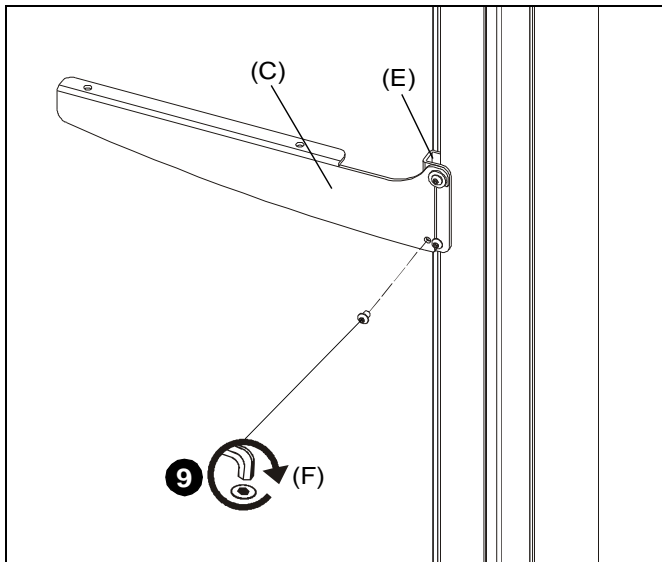


Figure 6

10. Repeat Steps 2-9 on other side of the cart with opposite shelf support.

**NOTE:** In order to ensure a level mount, measure the distance from the bottom of the cart to the shelf support and install the second shelf support at the same height.

11. Open storage tray lids and use four 1/4-20 x 1/2" button head cap screws (H) and four 1/4-20" lock nuts (J) to secure large storage shelf (A) to shelf supports (B and C). (See Figure 8) and (See Figure 8)

**NOTE:** The exact holes to use will depend on the model of the mounting system. Refer to Figure 7 to determine which holes to use.

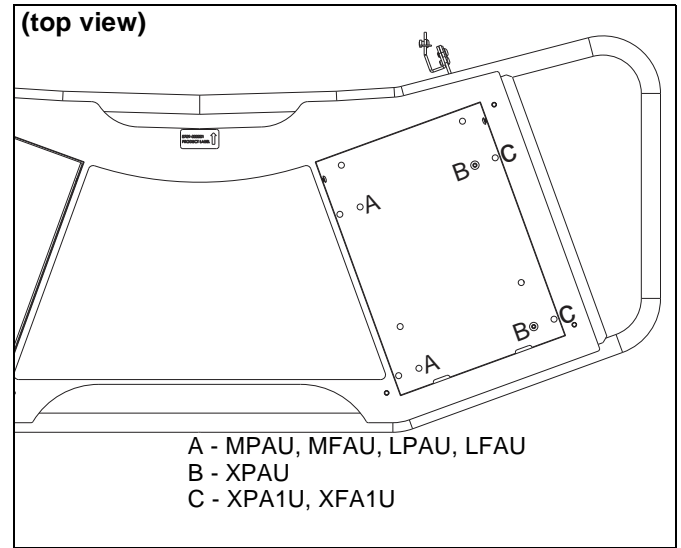


Figure 7

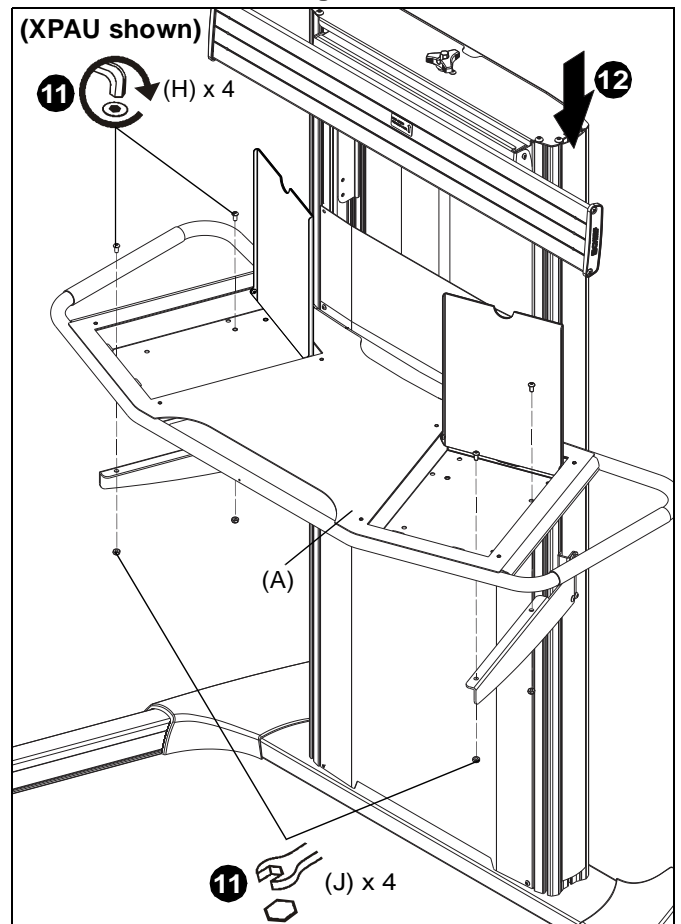


Figure 8

12. Reinstall side covers into each side of cart/stand. (See Figure 8)



Our Mounts. **Your Vision.**

Chief, a products division of  
Milestone AV Technologies

8800-002882 Rev01  
©2017 Milestone AV Technologies  
[www.milestone.com](http://www.milestone.com)  
02/17

<b>USA/International</b>	<b>A</b> 6436 City West Parkway, Eden Prairie, MN 55344 <b>P</b> 800.582.6480 / 952.225.6000 <b>F</b> 877.894.6918 / 952.894.6918
<b>Europe</b>	<b>A</b> Franklinstraat 14, 6003 DK Weert, Netherlands <b>P</b> +31 (0) 495 580 852 <b>F</b> +31 (0) 495 580 845
<b>Asia Pacific</b>	<b>A</b> Office No. 918 on 9/F, Shatin Galleria 18-24 Shan Mei Street Fotan, Shatin, Hong Kong <b>P</b> 852 2145 4099 <b>F</b> 852 2145 4477

