

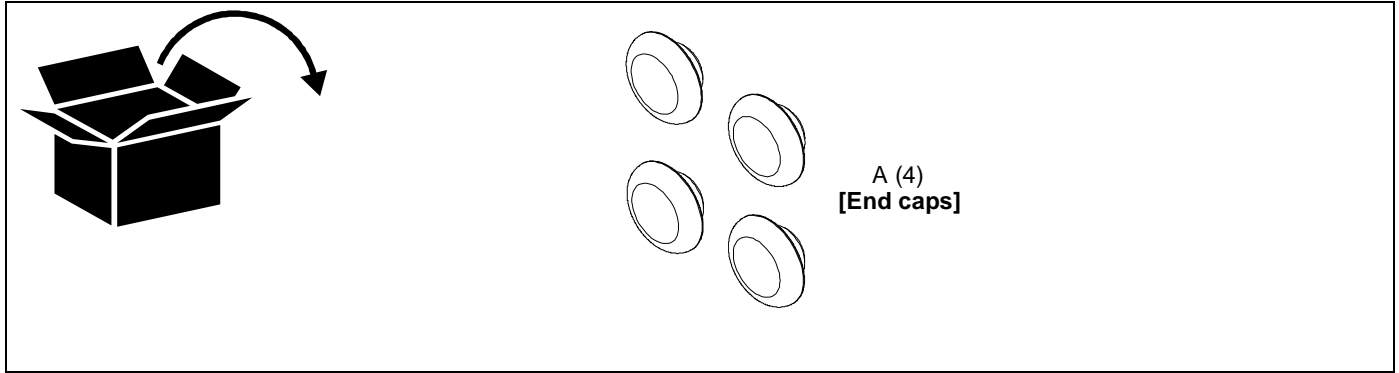
# INSTALLATION INSTRUCTIONS

## FCACAPS

### Fusion Mounts End Cap Replacement

Unpack carton and verify kit contents. If any listed parts are missing, immediately contact a Chief Customer Service representative by calling 1-800-582-6480.

#### PARTS



#### INSTALLATION

1. Remove and discard existing end caps from wall mount rails. (See Figure 1)

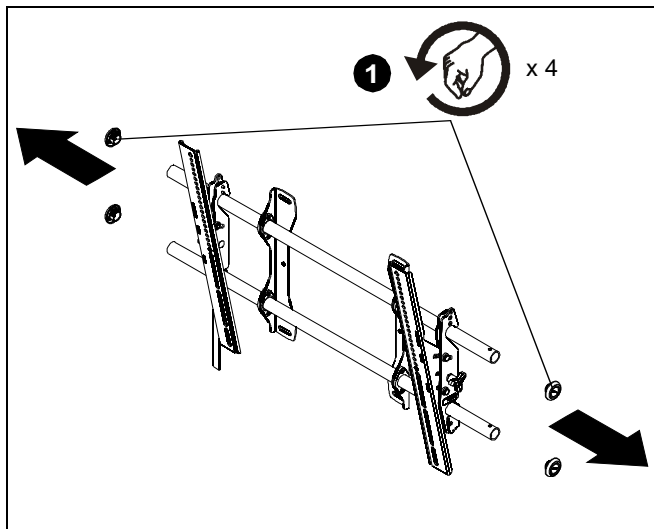


Figure 1

2. Install and hand-tighten end caps (A) into wall mount rails. (See Figure 2)

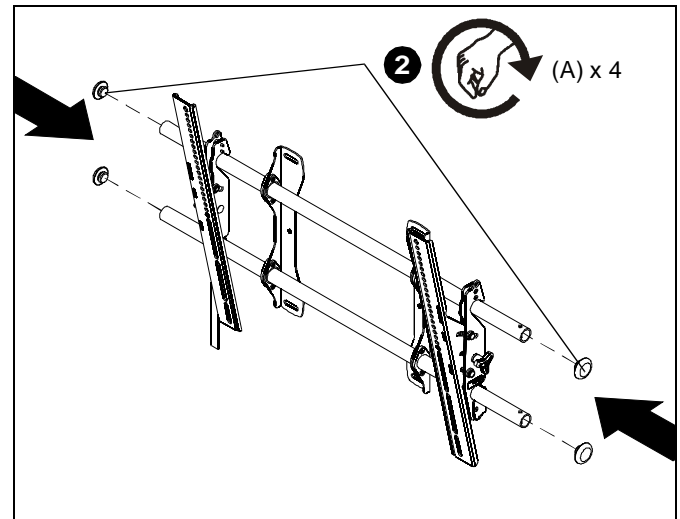


Figure 2

Milestone AV Technologies, and its affiliated corporations and subsidiaries (collectively, "Milestone"), intend to make this manual accurate and complete. However, Milestone makes no claim that the information contained herein covers all details, conditions or variations, nor does it provide for every possible contingency in connection with the installation or use of this product. The information contained in this document is subject to change without notice or obligation of any kind. Milestone makes no representation of warranty, expressed or implied, regarding the information contained herein. Milestone assumes no responsibility for accuracy, completeness or sufficiency of the information contained in this document.