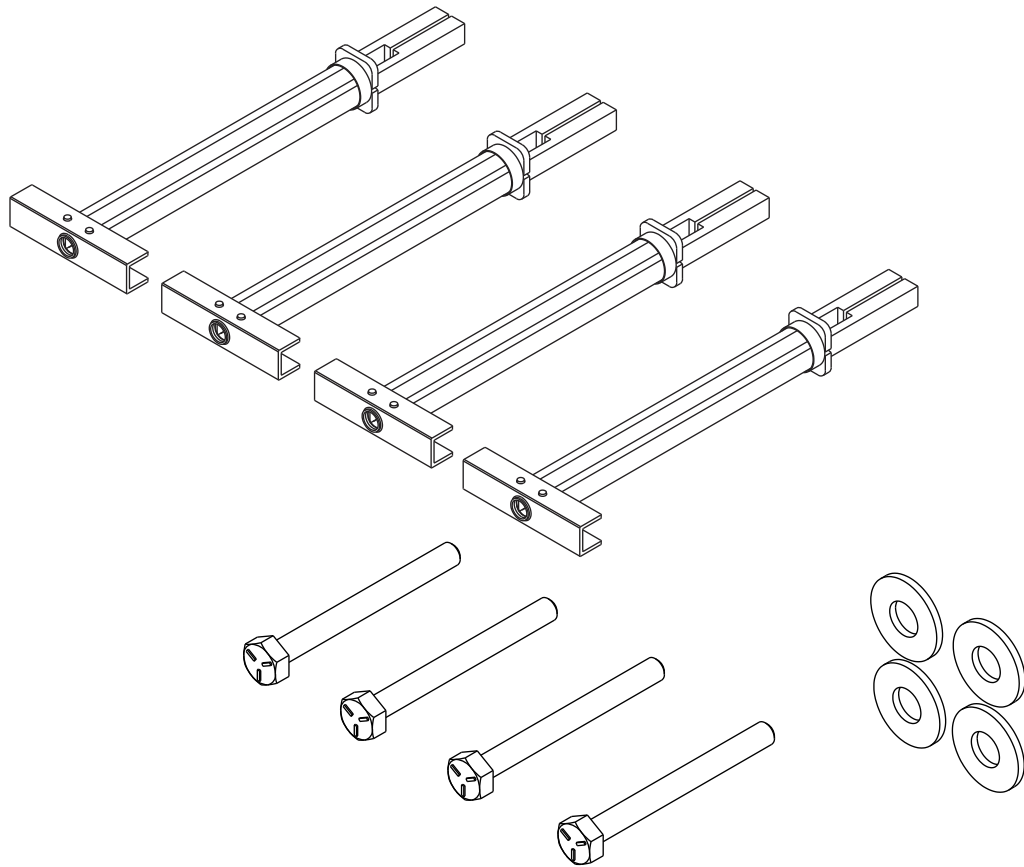


INSTALLATION INSTRUCTIONS



1/4-20 Grade 5 Toggler Kit

DISCLAIMER

Milestone AV Technologies and its affiliated corporations and subsidiaries (collectively "Milestone"), intend to make this manual accurate and complete. However, Milestone makes no claim that the information contained herein covers all details, conditions or variations, nor does it provide for every possible contingency in connection with the installation or use of this product. The information contained in this document is subject to change without notice or obligation of any kind. Milestone makes no representation of warranty, expressed or implied, regarding the information contained herein. Milestone assumes no responsibility for accuracy, completeness or sufficiency of the information contained in this document.

Chief® is a registered trademark of Milestone AV Technologies. All rights reserved.

Snaptoggle® is a registered trademark of Mechanical Plastics Corp.

DEFINITIONS

MOUNTING SYSTEM: A MOUNTING SYSTEM is the primary Chief product to which an accessory and/or component is attached.

ACCESSORY: AN ACCESSORY is the secondary Chief product which is attached to a primary Chief product, and may have a component attached or setting on it.

COMPONENT: A COMPONENT is an audiovisual item designed to be attached or resting on an accessory or mounting system such as a video camera, CPU, screen, display, projector, etc.

WARNING: A WARNING alerts you to the possibility of serious injury or death if you do not follow the instructions.

CAUTION: A CAUTION alerts you to the possibility of damage or destruction of equipment if you do not follow the corresponding instructions.

IMPORTANT SAFETY INSTRUCTIONS

WARNING: Failure to read, thoroughly understand, and follow all instructions can result in serious personal injury, damage to equipment, or voiding of factory warranty! It is the installer's responsibility to make sure all mounting systems / accessories are properly assembled and installed using the instructions provided.

WARNING: Failure to provide adequate structural strength for a mounting system and this accessory can result in serious personal injury or damage to equipment! It is the installer's responsibility to make sure the structure to which a mounting system is attached with this accessory can support five times the combined weight of all equipment. Reinforce the structure as required before installing the mounting system with this accessory. The wall to which the mounting system is being attached by this accessory may have a maximum drywall thickness of 5/8" (1.6cm) over steel studs. Do not install drywall anchors into the seam between drywall pieces.

WARNING: Use this accessory only for its intended use as described in these instructions. Do not use attachments not recommended by the manufacturer.

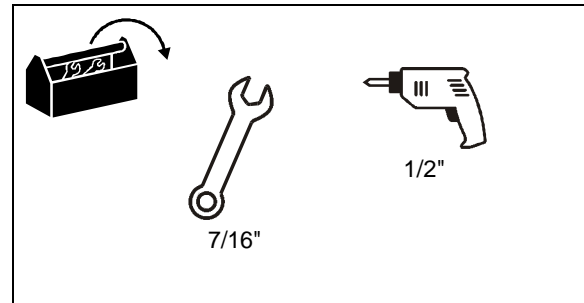
WARNING: Never operate this accessory if it is damaged. Return the accessory to a service center for examination and repair.

WARNING: Do not use this accessory outdoors.

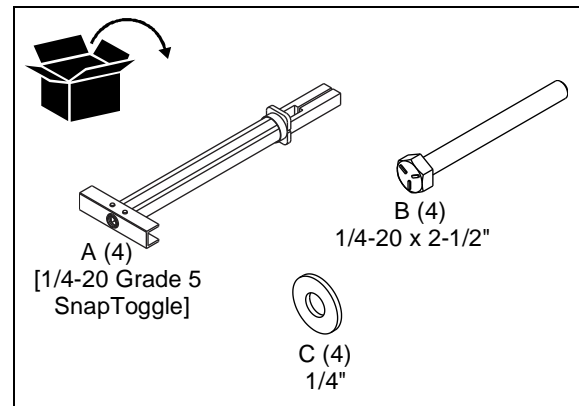
IMPORTANT ! : The FCA1 kit may be used to fasten mounts to a 2" x 4"-25ga minimum steel stud wall, following the weight capacity guidelines listed in the mount installation instructions.

--SAVE THESE INSTRUCTIONS--

TOOLS REQUIRED FOR INSTALLATION



PARTS



INSTALLATION



WARNING: USING THIS ACCESSORY INCORRECTLY MAY RESULT IN SERIOUS PERSONAL INJURY OR DAMAGE TO EQUIPMENT! Do NOT use the FCAT1 to fasten a mount into only drywall!

1. Drill a 1/2" hole at the desired location.
2. Hold metal channel on anchor (A) flat alongside plastic straps and slide channel through hole. (See Figure 1)

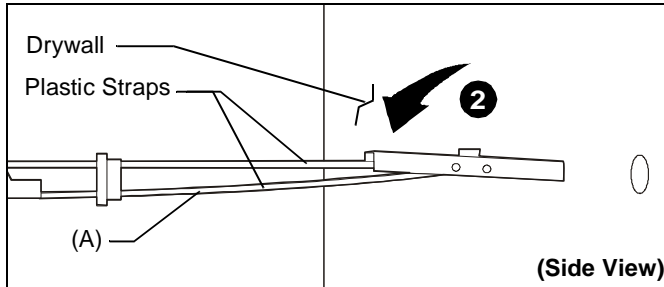


Figure 1

3. Holding plastic straps on anchor (A), pull anchor away from wall until channel rests flush behind wall making sure anchor channel is positioned vertically on stud. (See Figure 2)
4. Slide plastic cap on anchor (A) towards wall until flange of cap is flush with wall. (See Figure 2)

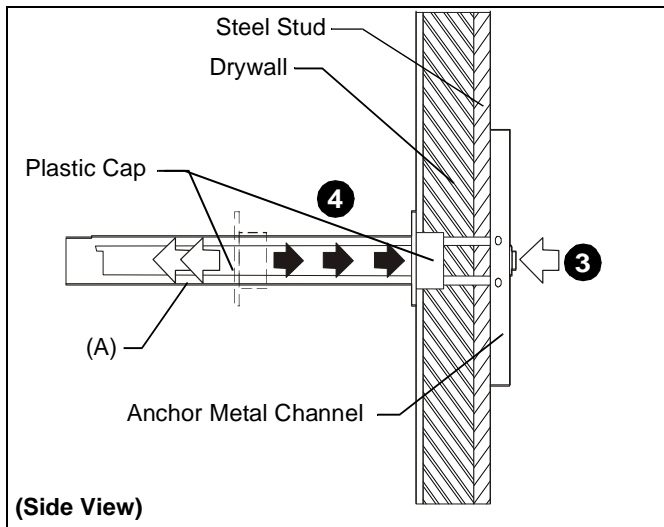


Figure 2

5. Snap off plastic straps on anchor at wall by pushing side to side, snapping off straps level with flange of plastic cap. (See Figure 3)
6. Repeat Steps 1 through 5 for each mounting hole.

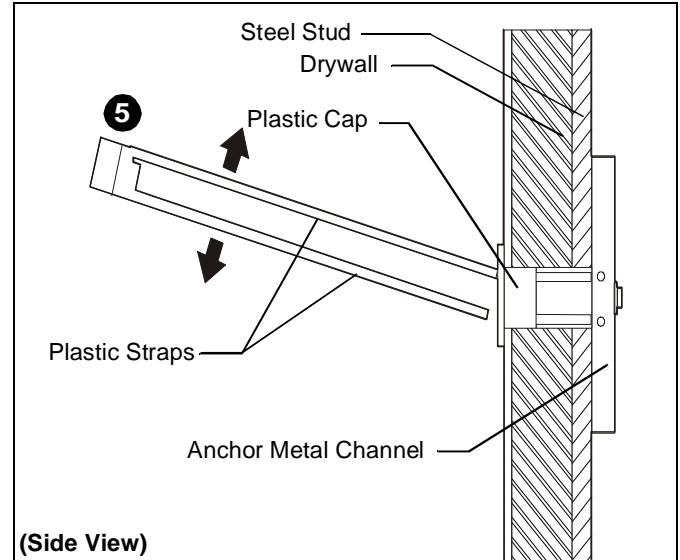


Figure 3

7. Place mount over anchors and align mounting holes in display mount with holes in anchors. (See Figure 4)



WARNING: IMPROPER INSTALLATION CAN LEAD TO EQUIPMENT FALLING CAUSING SERIOUS PERSONAL INJURY OR DAMAGE TO EQUIPMENT! Over tightening of mounting hardware can damage the steel studs. DO NOT over tighten mounting hardware!

8. Insert 1/4-20 x 2-1/2" hex head screw (B) through 1/4" washer (C), corresponding mounting hole on mount and into anchor (A) and tighten until flush against mount. DO NOT over tighten! (See Figure 4)
9. Repeat Steps 7 and 8 for remaining mounting holes.

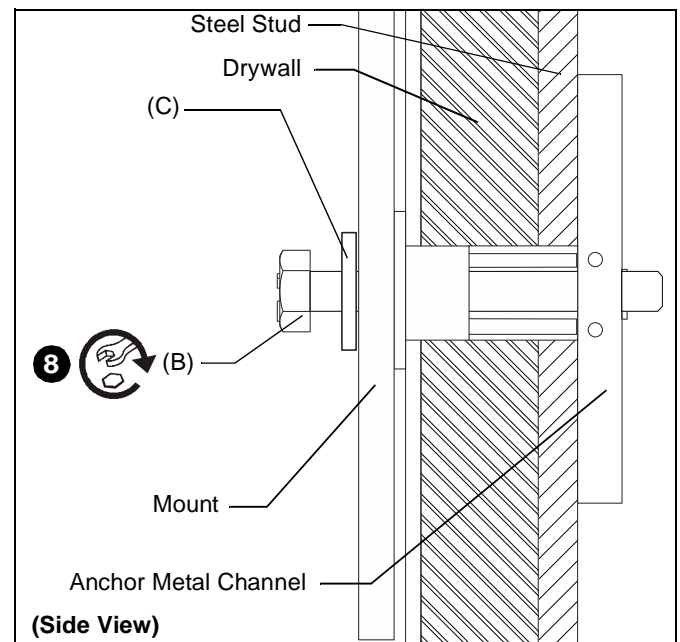


Figure 4



Our Mounts. **Your Vision.**

Chief, a products division of
Milestone AV Technologies

8800-002854 Rev00
©2016 Milestone AV Technologies
www.milestone.com
06/16

USA/International	A 6436 City West Parkway, Eden Prairie, MN 55344 P 800.582.6480 / 952.225.6000 F 877.894.6918 / 952.894.6918
Europe	A Franklinstraat 14, 6003 DK Weert, Netherlands P +31 (0) 495 580 852 F +31 (0) 495 580 845
Asia Pacific	A Office No. 918 on 9/F, Shatin Galleria 18-24 Shan Mei Street Fotan, Shatin, Hong Kong P 852 2145 4099 F 852 2145 4477

