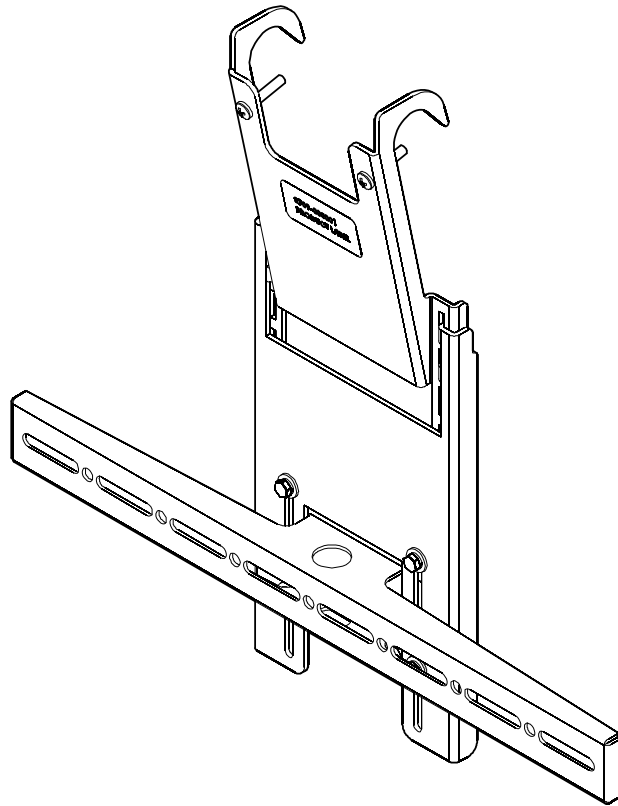


---

# INSTALLATION INSTRUCTIONS

---



---

## Center Channel Speaker Bracket


---


## DISCLAIMER


Milestone AV Technologies and its affiliated corporations and subsidiaries (collectively "Milestone"), intend to make this manual accurate and complete. However, Milestone makes no claim that the information contained herein covers all details, conditions or variations, nor does it provide for every possible contingency in connection with the installation or use of this product. The information contained in this document is subject to change without notice or obligation of any kind. Milestone makes no representation of warranty, expressed or implied, regarding the information contained herein. Milestone assumes no responsibility for accuracy, completeness or sufficiency of the information contained in this document.


Chief® is a registered trademark of Milestone AV Technologies. All rights reserved.


## IMPORTANT WARNINGS AND CAUTIONS!

 **WARNING:** A WARNING alerts you to the possibility of serious injury or death if you do not follow the instructions.


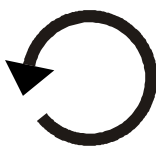



 **CAUTION:** A CAUTION alerts you to the possibility of damage or destruction of equipment if you do not follow the corresponding instructions.

 **WARNING:** Failure to read, thoroughly understand, and follow all instructions can result in serious personal injury, damage to equipment, or voiding of factory warranty! It is the installer's responsibility to make sure all components are properly assembled and installed using the instructions provided.

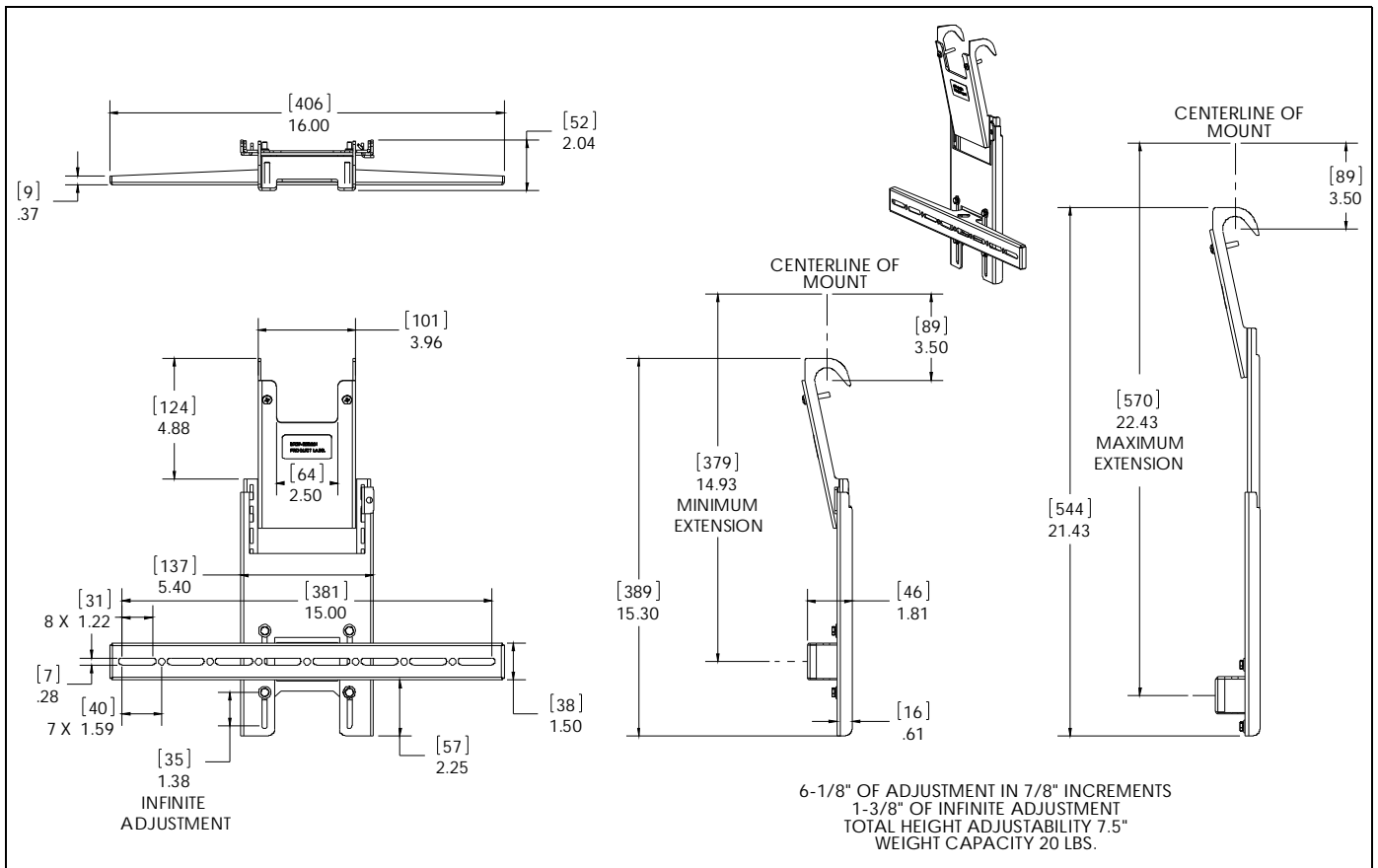
 **WARNING:** Failure to provide adequate structural strength for this component can result in serious personal injury or damage to equipment! It is the installer's responsibility to make sure the structure to which this component is attached can support five times the combined weight of all equipment. Reinforce the structure as required before installing the component.

 **WARNING:** Exceeding the weight capacity can result in serious personal injury or damage to equipment! It is the installer's responsibility to make sure the combined weight of all components located on the FCC100 does not exceed 20 lbs (9.1 kg).

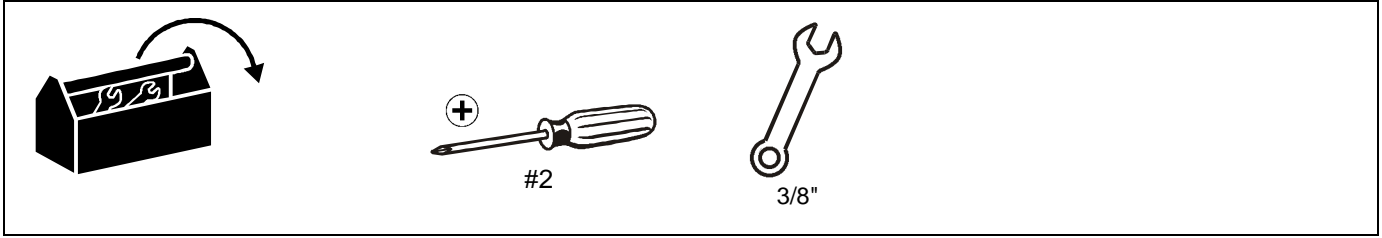
## LEGEND

	<b>Tighten Fastener</b>
	Apretar elemento de fijación
	Befestigungsteil festziehen
	Apertar fixador
	Serrare il fissaggio
	Bevestiging vastdraaien
Serrez les fixations	
	<b>Loosen Fastener</b>
	Aflojar elemento de fijación
	Befestigungsteil lösen
	Desapertar fixador
	Allentare il fissaggio
	Bevestiging losdraaien
Desserrez les fixations	
	<b>Open-Ended Wrench</b>
	Llave de boca
	Gabelschlüssel
	Chave de bocas
	Chiave a punte aperte
	Steeksleutel
Clé à fourche	
	<b>Pencil Mark</b>
	Marcar con lápiz
	Stiftmarkierung
	Marcar com lápis
	Segno a matita
	Potloodmerkteken
Marquage au crayon	
	<b>Phillips Screwdriver</b>
	Destornillador Phillips
	Kreuzschlitzschraubendreher
	Chave de fendas Phillips
	Cacciavite a stella
	Kruiskopschroevendraaier
Tournevis à pointe cruciforme	

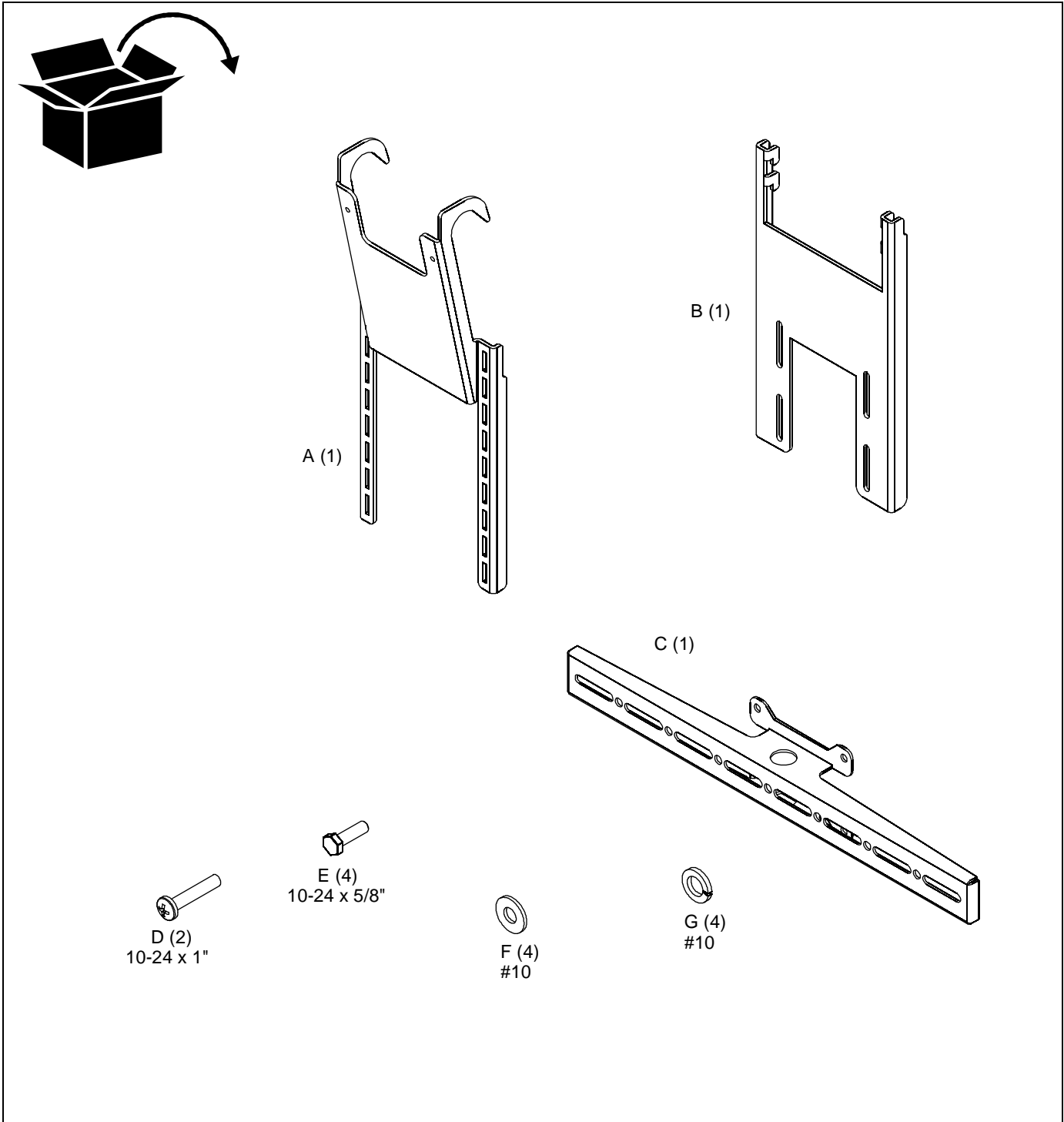
**DIMENSIONS**



### TOOLS REQUIRED FOR INSTALLATION



### PARTS



## ASSEMBLY AND INSTALLATION

### Assembling Brackets

1. Attach speaker (not included) to speaker bracket following instructions included with speaker.
2. Place speaker bracket (C) behind hook bracket (B) and raise the speaker bracket into place behind the hook bracket. (See Figure 1)
3. Loosely attach speaker bracket behind hook bracket at the bottom of the slots using four 10-24 x 5/8" hex head cap screws (E), four #10 split lock washers (G), and four #10 flat washers (F). (See Figure 1)

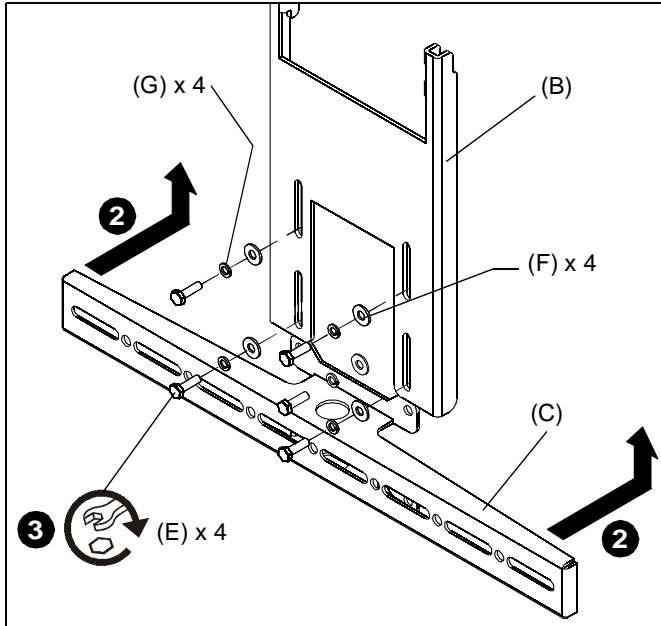


Figure 1

### Attaching to Wall Mount

**NOTE:** The FCC100 may be attached to the wall mount with the display already in place, or with the display removed. Proceed to either **Installing to Wall Mount with Display Attached** or **Installing to Wall Mount with Display Removed** section.

#### Installing to Wall Mount with Display Attached

1. Pull out bottom of display.
2. From below and behind the display, raise and hang upper hook bracket (A) onto wall mount rail. (See Figure 2)

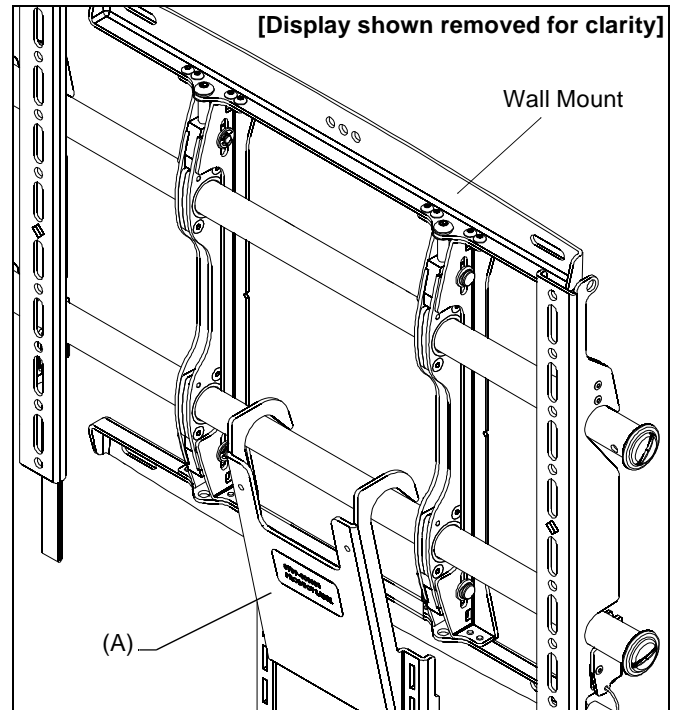


Figure 2

3. Hang hook bracket with attached speaker bracket onto the upper hook bracket (A). (See Figure 3)

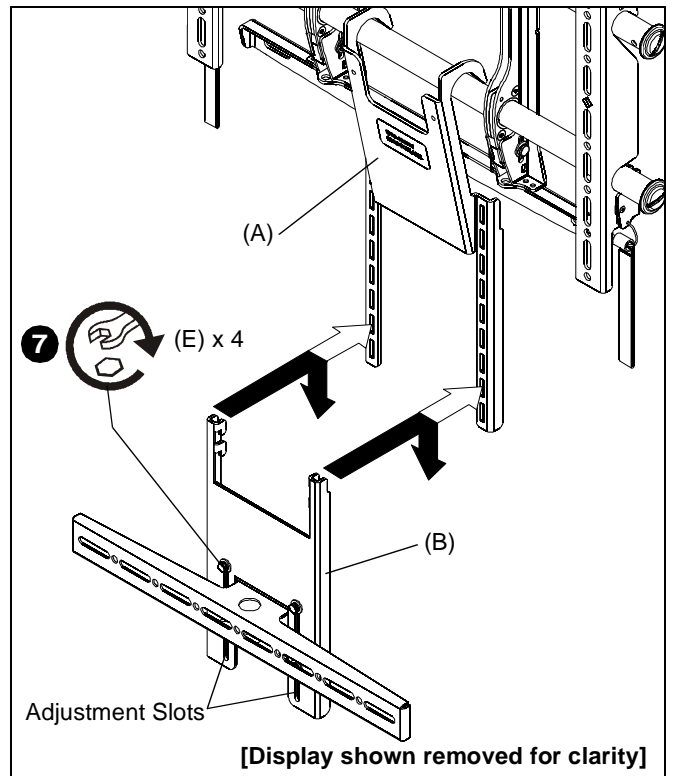


Figure 3

**NOTE:** The hook bracket with attached speaker bracket may be adjusted up or down on the upper hook bracket (A) in  $7/8$ " increments for  $6-1/8$ " adjustment. There is also a  $1-3/8$ " infinite adjustment on the hook bracket (B) for a total height adjustability of  $7-1/2$ ".

- Adjust the speaker height by holding onto hook bracket (B) while using the adjustment slots to fine tune the speaker height.
- Tighten four screws (E) with a  $3/8$ " wrench. (See Figure 3)

### Installing to Wall Mount with Display Removed

**NOTE:** Installing the FCC100 to a wall mount where a display has been removed allows use of security screws to prevent the FCC100 from being removed.

- Hang hook bracket (B) with attached speaker bracket onto the upper hook bracket (A). (See Figure 4)

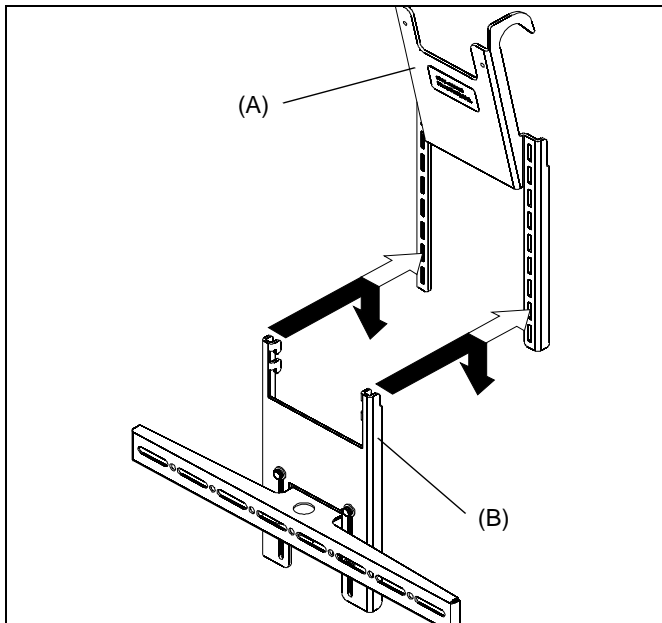


Figure 4

**NOTE:** The hook bracket (B) with attached speaker bracket may be adjusted up or down on the upper hook bracket (A) in  $7/8$ " increments for  $6-1/8$ " adjustment, PLUS  $1-3/8$ " infinite adjustment on the hook bracket (B) for a total height adjustability of  $7-1/2$ ".

- Remove display if already attached to wall mount following instructions included with the wall mount.
- Hang FCC100 on lower wall mount rail.
- Adjust location of FCC100 and secure to wall mount rail using two 10-24 x 1" Phillips pan head screws (D). (See Figure 5)
- Hang display on wall mount following installation instructions included with the wall mount.
- Adjust the speaker height by holding onto hook bracket (B) while using the adjustment slots to fine tune the speaker height.
- Tighten four screws (E) with a  $3/8$ " wrench. (See Figure 3)

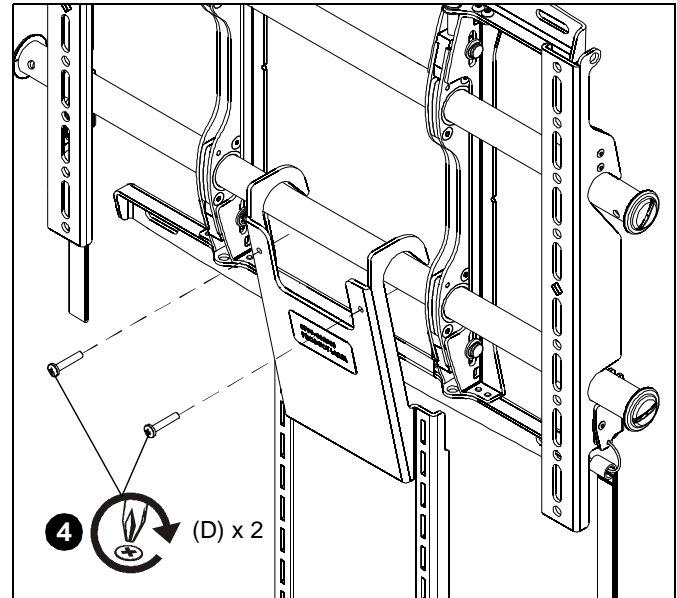


Figure 5

### Routing Cable

- Route cable from speaker up and behind the FCC100. (See Figure 6)

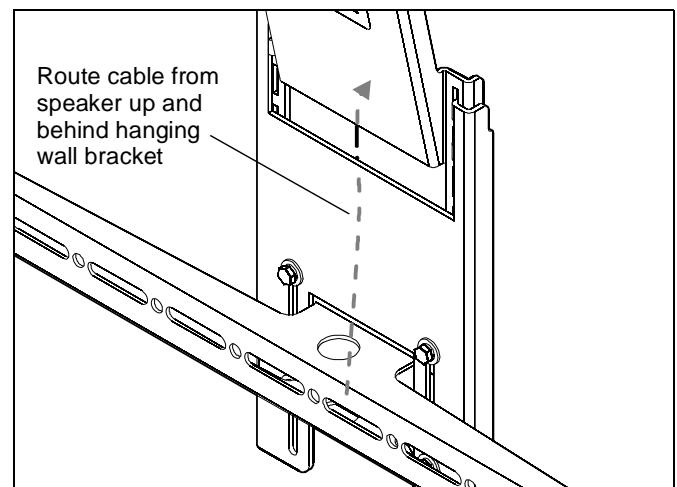


Figure 6





Our Mounts. **Your Vision.**

Chief Manufacturing, a products division  
of Milestone AV Technologies

8807-000080

©2009 Milestone AV Technologies, a

Duchossois Group Company

[www.chiefmfg.com](http://www.chiefmfg.com)

01/09

**USA/International** A 8401 Eagle Creek Parkway, Savage, MN 55378  
P 800.582.6480 / 952.894.6280  
F 877.894.6918 / 952.894.6918

**Europe** A Fellenoord 130 5611 ZB EINDHOVEN, The Netherlands  
P +31 (0)40 2668620  
F +31 (0)40 2668615

**Asia Pacific** A Room 24F, Block D, Lily YinDu International Building  
LuoGang, BuJi Town, Shenzhen, CHINA.  
深圳市布吉罗岗村百合银都国际大厦D栋24F  
P +86-755-8996 9226  
F +86-755-8996 9217

