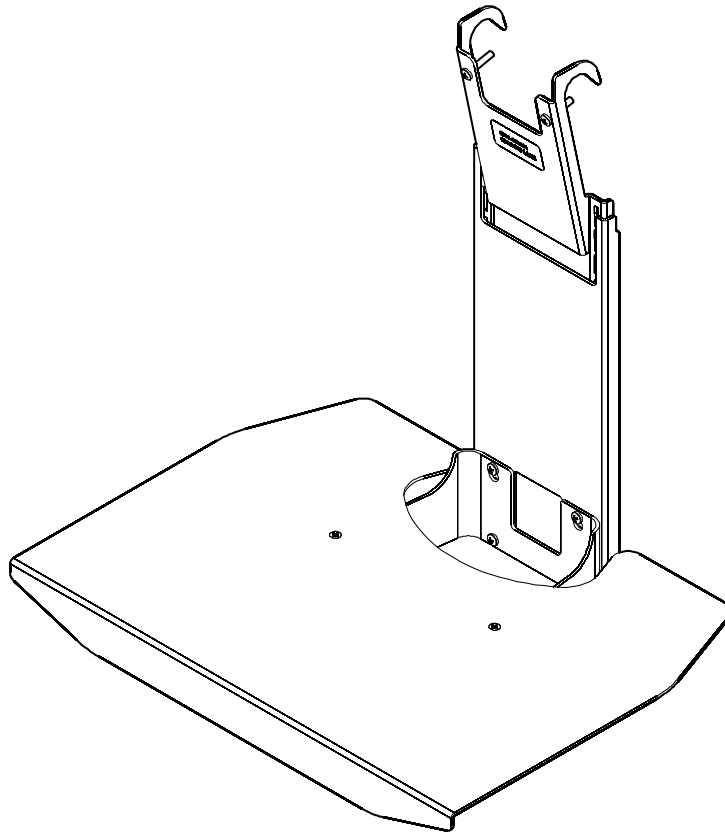


---

# INSTALLATION INSTRUCTIONS

---



---

## Lower Component Shelf


---


## DISCLAIMER


Milestone AV Technologies and its affiliated corporations and subsidiaries (collectively "Milestone"), intend to make this manual accurate and complete. However, Milestone makes no claim that the information contained herein covers all details, conditions or variations, nor does it provide for every possible contingency in connection with the installation or use of this product. The information contained in this document is subject to change without notice or obligation of any kind. Milestone makes no representation of warranty, expressed or implied, regarding the information contained herein. Milestone assumes no responsibility for accuracy, completeness or sufficiency of the information contained in this document.


Chief® is a registered trademark of Milestone AV Technologies. All rights reserved.


## IMPORTANT WARNINGS AND CAUTIONS!

 **WARNING:** A WARNING alerts you to the possibility of serious injury or death if you do not follow the instructions.



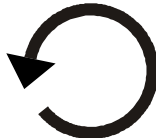

 **CAUTION:** A CAUTION alerts you to the possibility of damage or destruction of equipment if you do not follow the corresponding instructions.

 **WARNING:** Failure to read, thoroughly understand, and follow all instructions can result in serious personal injury, damage to equipment, or voiding of factory warranty! It is the installer's responsibility to make sure all components are properly assembled and installed using the instructions provided.

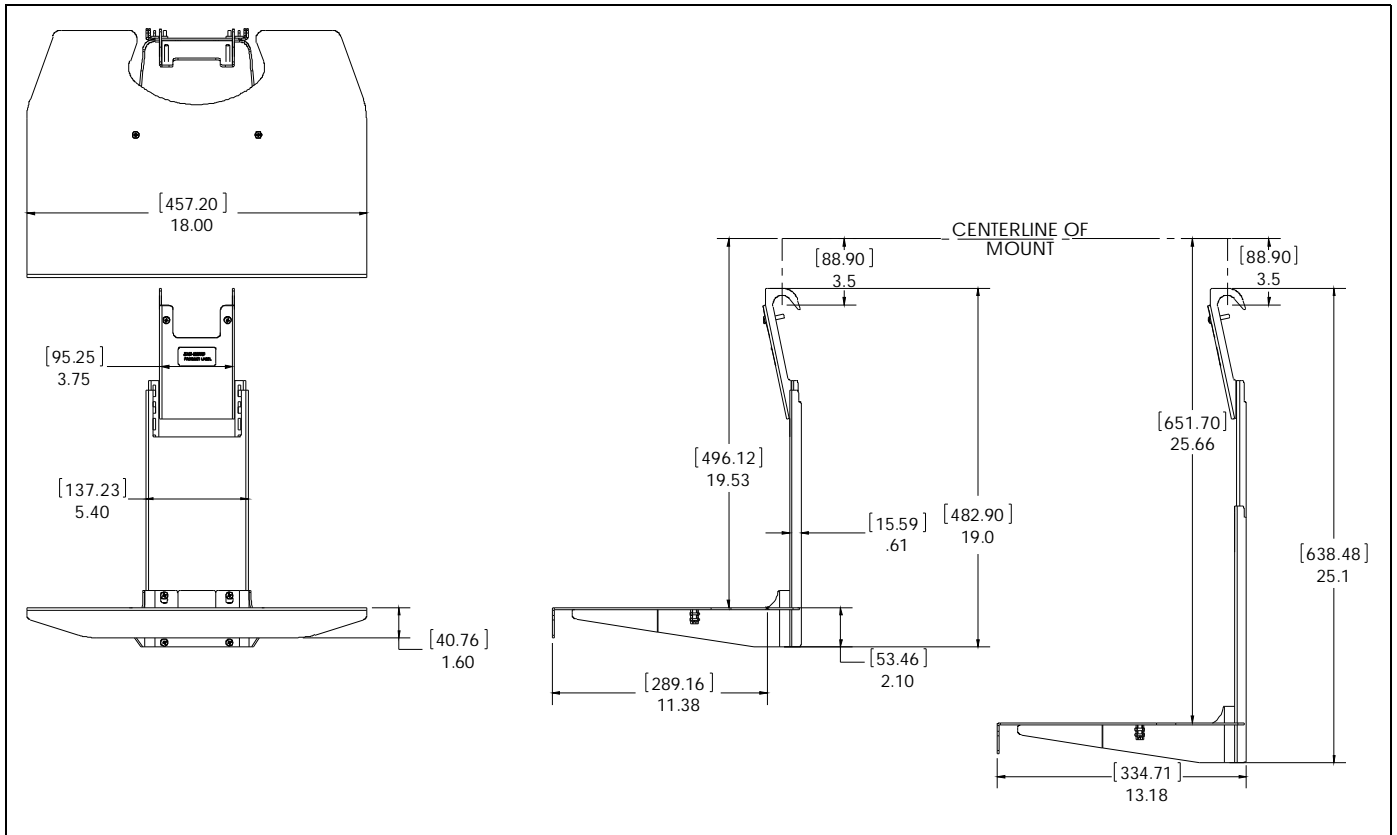
 **WARNING:** Failure to provide adequate structural strength for this component can result in serious personal injury or damage to equipment! It is the installer's responsibility to make sure the structure to which this component is attached can support five times the combined weight of all equipment. Reinforce the structure as required before installing the component.

 **WARNING:** Exceeding the weight capacity can result in serious personal injury or damage to equipment! It is the installer's responsibility to make sure the combined weight of all components located on the FCS100 does not exceed 20 lbs (9.1 kg).

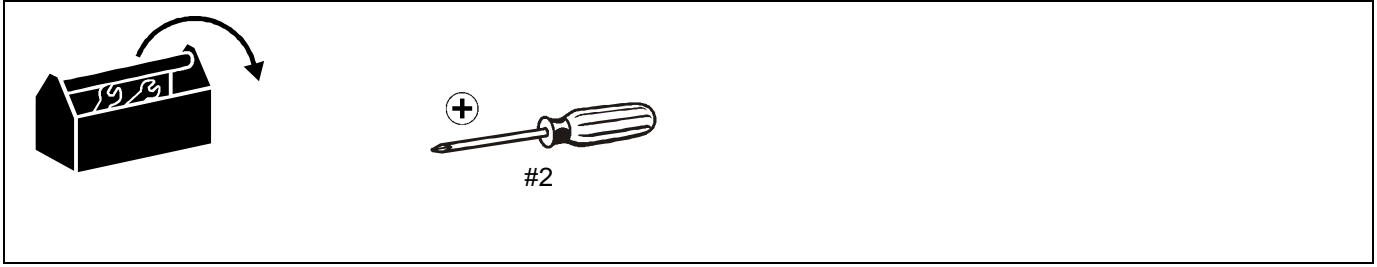
## LEGEND

	<b>Tighten Fastener</b>		<b>Pencil Mark</b>
	Apretar elemento de fijación		Marcar con lápiz
	Befestigungsteil festziehen		Stiftmarkierung
	Apertar fixador		Marcar com lápis
	Serrare il fissaggio		Segno a matita
	Bevestiging vastdraaien		Potloodmerkteken
Serrez les fixations	Marquage au crayon		
	<b>Loosen Fastener</b>		<b>Phillips Screwdriver</b>
	Aflojar elemento de fijación		Destornillador Phillips
	Befestigungsteil lösen		Kreuzschlitzschraubendreher
	Desapertar fixador		Chave de fendas Phillips
	Allentare il fissaggio		Cacciavite a stella
	Bevestiging losdraaien		Kruiskopschroevendraaier
Desserrez les fixations	Tournevis à pointe cruciforme		

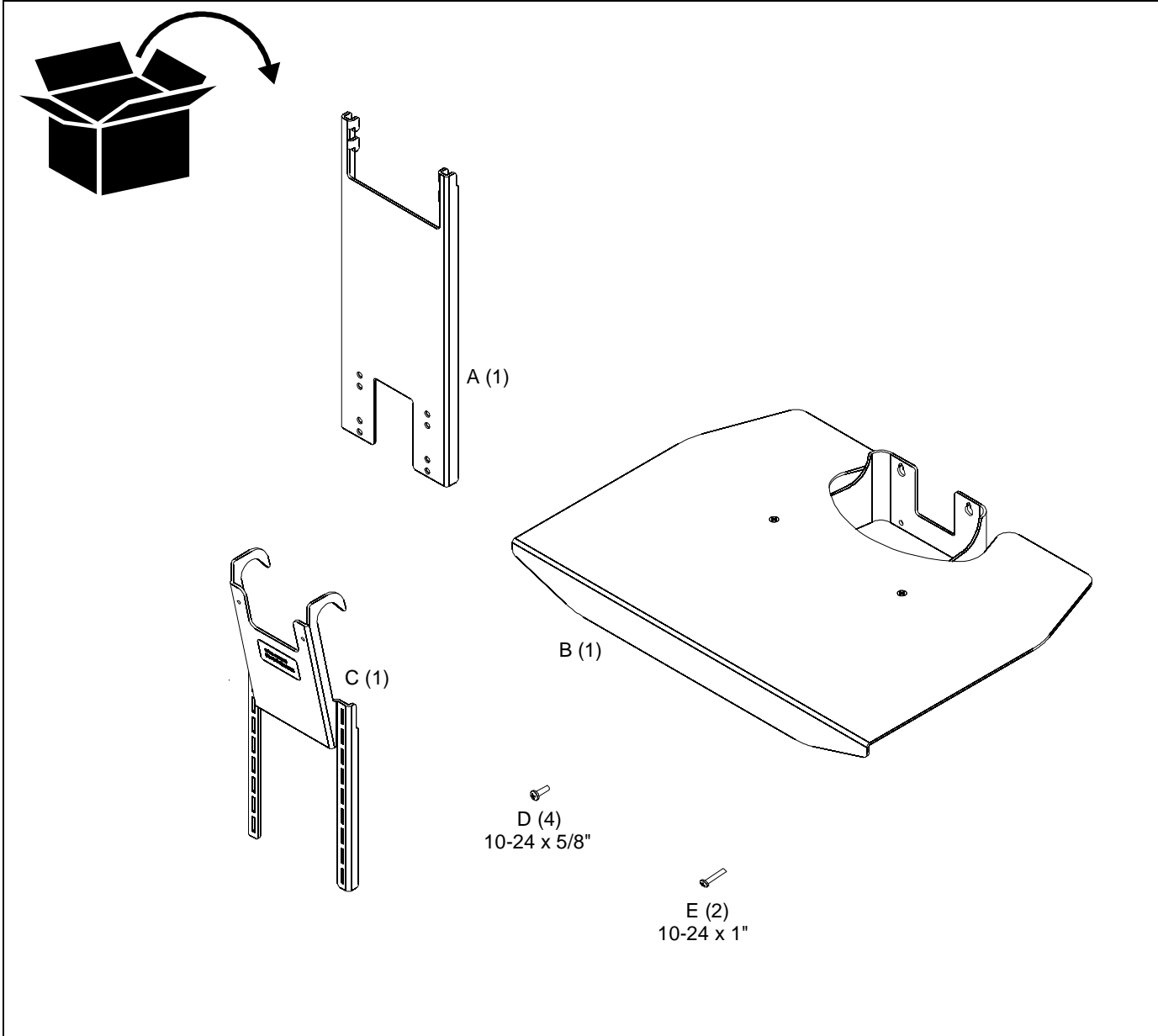
### DIMENSIONS



**TOOLS REQUIRED FOR INSTALLATION**



**PARTS**



## Assembly and Installation

### Assembling Shelf and Brackets

1. Attach lower shelf (B) to hanger bracket (A) using four 10-24 x 5/8" Phillips pan head screws (D). (See Figure 1)

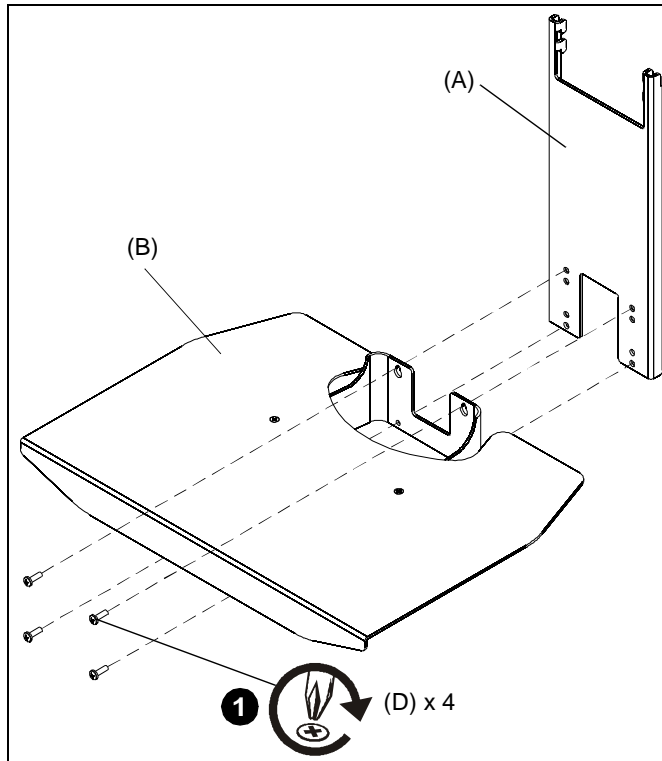


Figure 1

### Attaching to Wall Mount

**NOTE:** The FCS100 may be attached to the wall mount with the display already in place, or with the display removed. Proceed to either **Installing to Wall Mount with Display Attached** or **Installing to Wall Mount with Display Removed** section.

#### Installing to Wall Mount with Display Attached

1. Pull out bottom of display.
2. From below and behind the display, raise and hang hook bracket (C) onto lower wall mount rail. (See Figure 2)

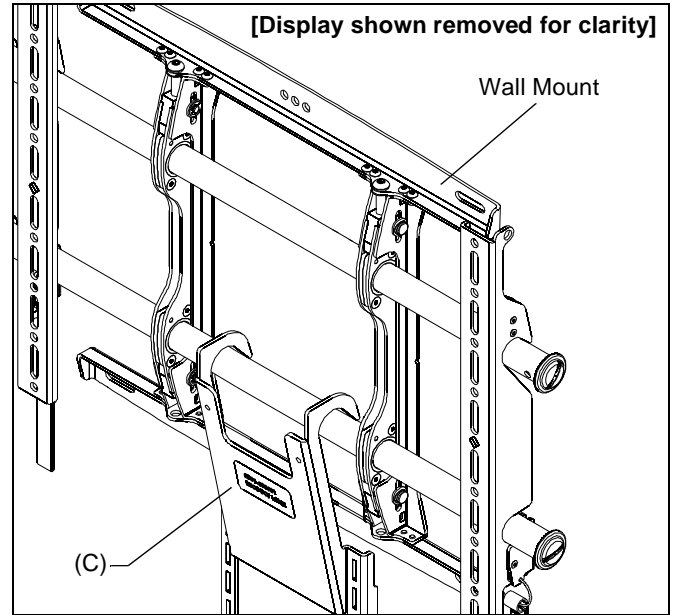


Figure 2

3. Hang shelf with hanger bracket onto the hook bracket (C). (See Figure 3)

**NOTE:** The shelf with hanger bracket may be adjusted up or down on the hook bracket (C) in 7/8" increments for a total height adjustment of up to 6-1/8".

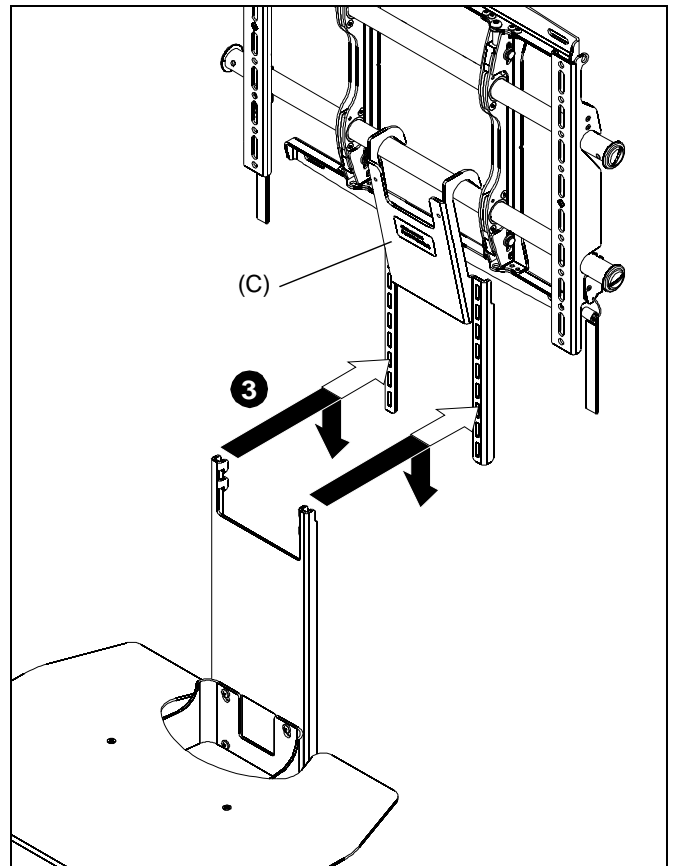
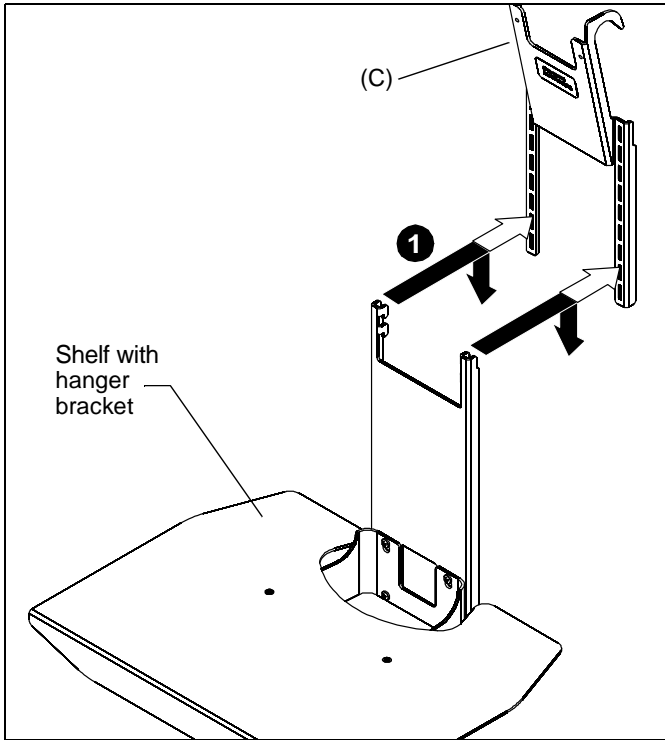


Figure 3

**Installing to Wall Mount with Display Removed**

**NOTE:** Installing the FCS100 to a wall mount where a display has been removed allows use of security screws to prevent the FCS100 from being removed.

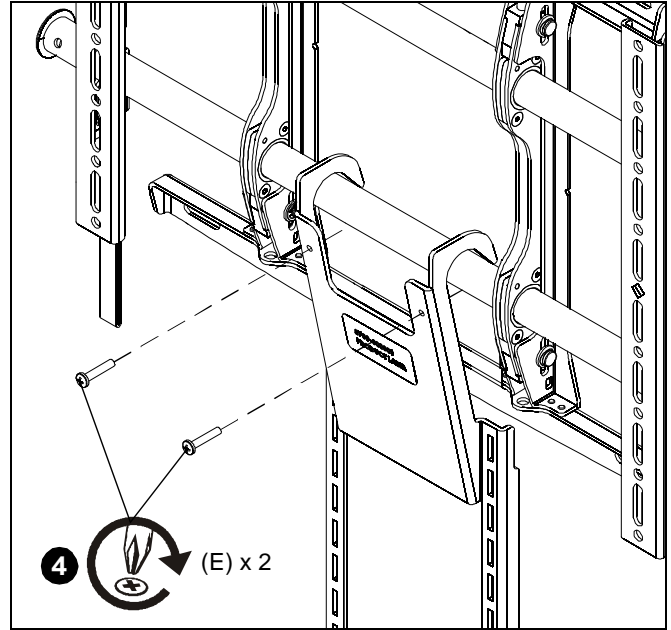
1. Hang shelf with hanger bracket onto the hook bracket (C). (See Figure 4)



**Figure 4**

**NOTE:** The shelf with hanger bracket may be adjusted up or down on the hook bracket (C) in 7/8" increments for a total height adjustment of up to 6-1/8".

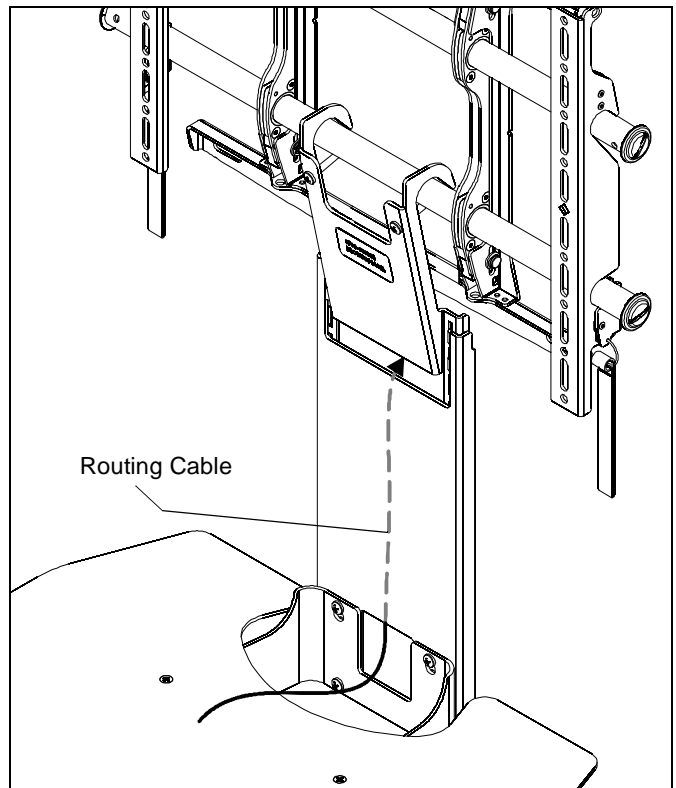
2. Remove display if already attached to wall mount following instructions included with the wall mount.
3. Hang FCS100 on wall mount rail.
4. Adjust location and secure to wall mount rail using two 10-24 x 1" Phillips pan head screws (E). (See Figure 5)
5. Hang display on wall mount following installation instructions included with the wall mount.



**Figure 5**

**Routing Cable**

1. Place accessory on component shelf.
2. Route cable from accessory up and behind FCS100. (See Figure 6)



**Figure 6**





Our Mounts. **Your Vision.**

Chief Manufacturing, a products division  
of Milestone AV Technologies

8807-000078

©2009 Milestone AV Technologies, a

Duchossois Group Company

[www.chiefmfg.com](http://www.chiefmfg.com)

01/09

**USA/International**

**A** 8401 Eagle Creek Parkway, Savage, MN 55378

**P** 800.582.6480 / 952.894.6280

**F** 877.894.6918 / 952.894.6918

**Europe**

**A** Fellenoord 130 5611 ZB EINDHOVEN, The Netherlands

**P** +31 (0)40 2668620

**F** +31 (0)40 2668615

**Asia Pacific**

**A** Room 24F, Block D, Lily YinDu International Building

LuoGang, BuJi Town, Shenzhen, CHINA.

深圳市布吉罗岗村百合银都国际大厦D栋24F

**P** +86-755-8996 9226

**F** +86-755-8996 9217

