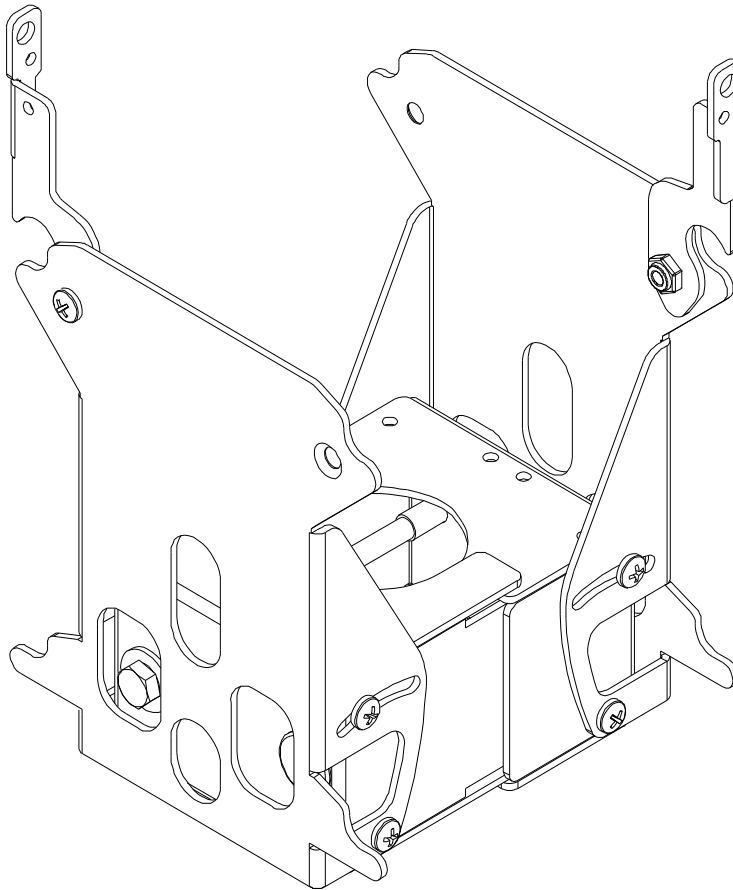


---

# INSTALLATION INSTRUCTIONS

---



---

## Dual Display Pole Mount

---

## DISCLAIMER

Milestone AV Technologies, and its affiliated corporations and subsidiaries (collectively, "Milestone"), intend to make this manual accurate and complete. However, Milestone makes no claim that the information contained herein covers all details, conditions or variations, nor does it provide for every possible contingency in connection with the installation or use of this product. The information contained in this document is subject to change without notice or obligation of any kind. Milestone makes no representation of warranty, expressed or implied, regarding the information contained herein. Milestone assumes no responsibility for accuracy, completeness or sufficiency of the information contained in this document.

Chief® is a registered trademark of Milestone AV Technologies. All rights reserved.



**WARNING:** Use this mounting system only for its intended use as described in these instructions. Do not use attachments not recommended by the manufacturer.



**WARNING:** Never operate this mounting system if it is damaged. Return the mounting system to a service center for examination and repair.



**WARNING:** Do not use this product outdoors.

**IMPORTANT ! :** The FDP is designed to attach to a 1-1/2" to 2" O.D. pipe, including 1-1/2" NPT (not included), in either a vertical or horizontal position.

**--SAVE THESE INSTRUCTIONS--**



## IMPORTANT SAFETY INSTRUCTIONS!



**WARNING:** A WARNING alerts you to the possibility of serious injury or death if you do not follow the instructions.



**CAUTION:** A CAUTION alerts you to the possibility of damage or destruction of equipment if you do not follow the corresponding instructions.



**WARNING:** Failure to read, thoroughly understand, and follow all instructions can result in serious personal injury, damage to equipment, or voiding of factory warranty! It is the installer's responsibility to make sure all components are properly assembled and installed using the instructions provided.



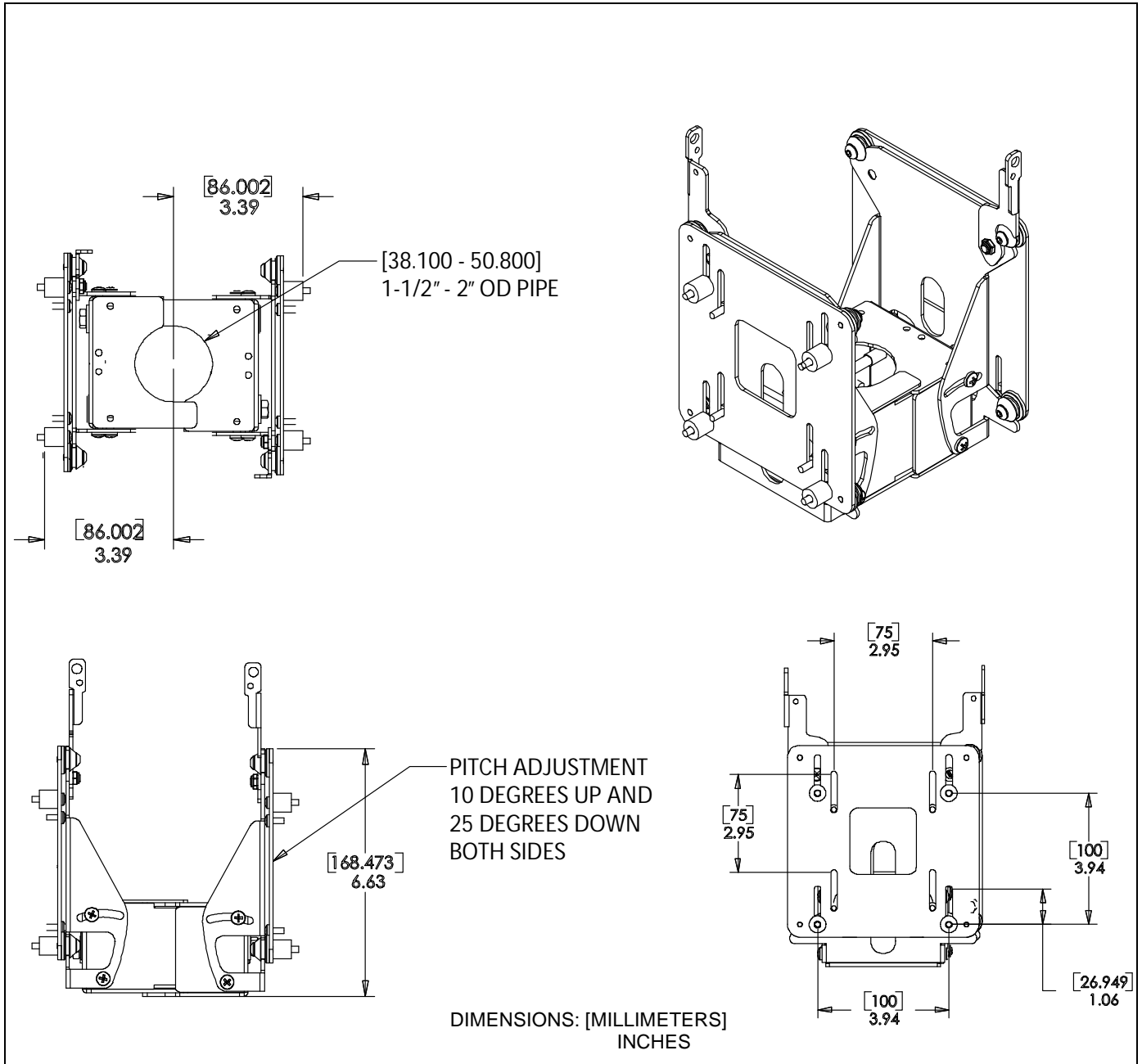
**WARNING:** Failure to provide adequate structural strength for this component can result in serious personal injury or damage to equipment! It is the installer's responsibility to make sure the structure to which this component is attached can support five times the combined weight of all equipment. Reinforce the structure as required before installing the component.



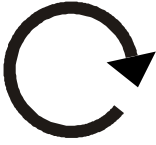





**WARNING:** Exceeding the weight capacity can result in serious personal injury or damage to equipment! It is the installer's responsibility to make sure the combined weight of all components attached to the FDP does not exceed 45 lbs (20.4 kg).

- The weight capacity of the FDP may be LIMITED to the lowest weight capacity of any other component located between the FDP and the supporting structure!

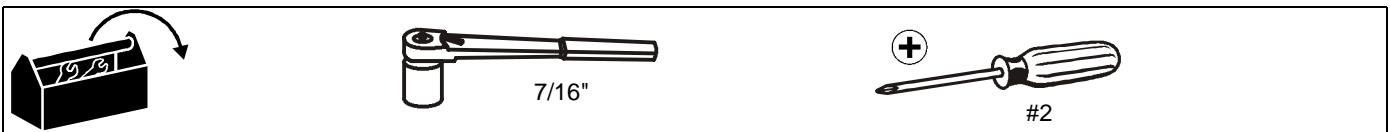
**DIMENSIONS**



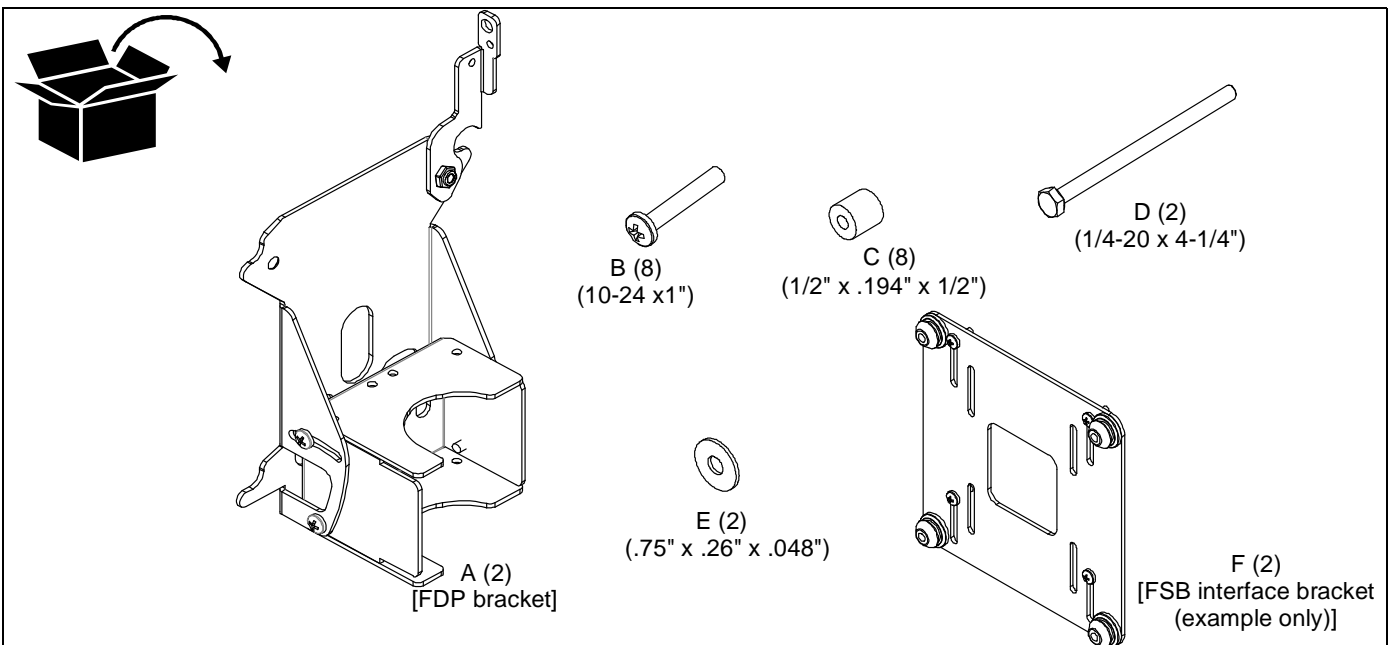
**LEGEND**

	<p><b>Tighten Fastener</b>                  Apretar elemento de fijación                  Befestigungsteil festziehen                  Apertar fixador                  Serrare il fissaggio                  Bevestiging vastdraaien                  Serrez les fixations</p>		<p><b>Phillips Screwdriver</b>                  Destornillador Phillips                  Kreuzschlitzschraubendreher                  Chave de fendas Phillips                  Cacciavite a stella                  Kruiskopschroevendraaier                  Tournevis à pointe cruciforme</p>
	<p><b>By Hand</b>                  A mano                  Von Hand                  Com a mão                  A mano                  Met de hand                  À la main</p>		<p><b>Adjust</b>                  Ajustar                  Einstellen                  Ajustar                  Regolare                  Afstellen                  Ajuster</p>
	<p><b>Security Wrench</b>                  Llave de seguridad                  Sicherheitsschlüssel                  Chave de segurança                  Chiave di sicurezza                  Veiligheidssleutel                  Clé de sécurité</p>		<p><b>Open-Ended Wrench</b>                  Llave de boca                  Gabelschlüssel                  Chave de bocas                  Chiave a punte aperte                  Steeksleutel                  Clé à fourche</p>

**TOOLS REQUIRED FOR INSTALLATION**



**PARTS**



## INSTALLATION



**WARNING:** Failure to provide adequate structural strength for this component can result in serious personal injury or damage to equipment! It is the installer's responsibility to make sure the structure to which this component is attached can support five times the combined weight of all equipment. Reinforce the structure as required before installing the component.

**IMPORTANT ! :** These instructions assume that a 1-1/2" to 2" O.D. pipe (not included) has been properly installed in either a vertical or horizontal position.

### (Optional) Latching Flag Placement

The latching flag may be moved as necessary.

1. Remove Phillips head screw, Nylock nut and latching flag attached to the FDP (A). (See Figure 1)

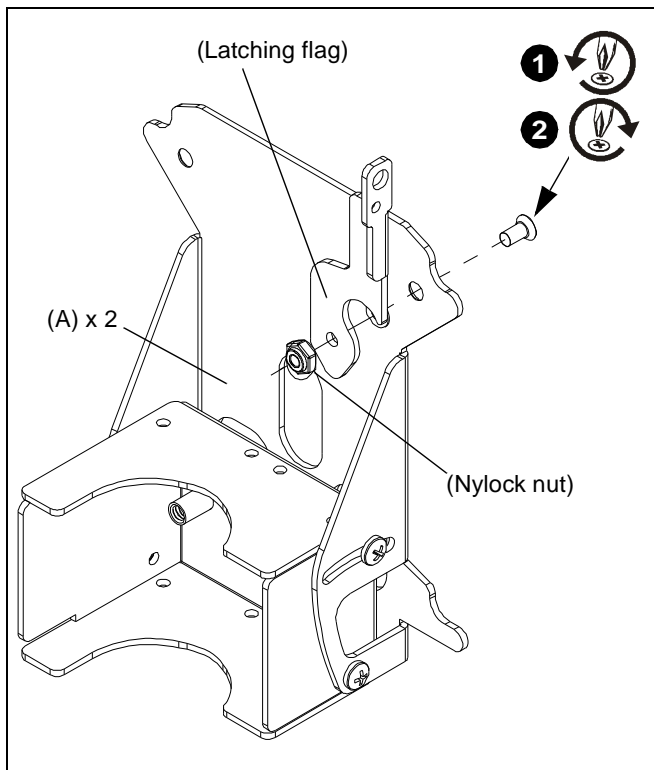


Figure 1

2. Re-position latching flag and tighten using Phillips head screw and Nylock nut. (See Figure 1)

## FDP Bracket Assembly and Installation

The FDP includes tilt brackets that can be repositioned to attach to vertical or horizontal pipes. The FDP assembly ships configured for vertical pole mounting. To change the FDP for horizontal pole mounting, use the following instructions. To use the FDP in the vertical configuration, proceed to **Vertical Installation** section.

### Horizontal Installation

1. Remove eight tilt adjustment screws (four from each tilt bracket). (See Figure 2)
2. Detach tilt brackets from FDP (A). (See Figure 2)
3. Reposition the tilt brackets as shown. (See Figure 2)

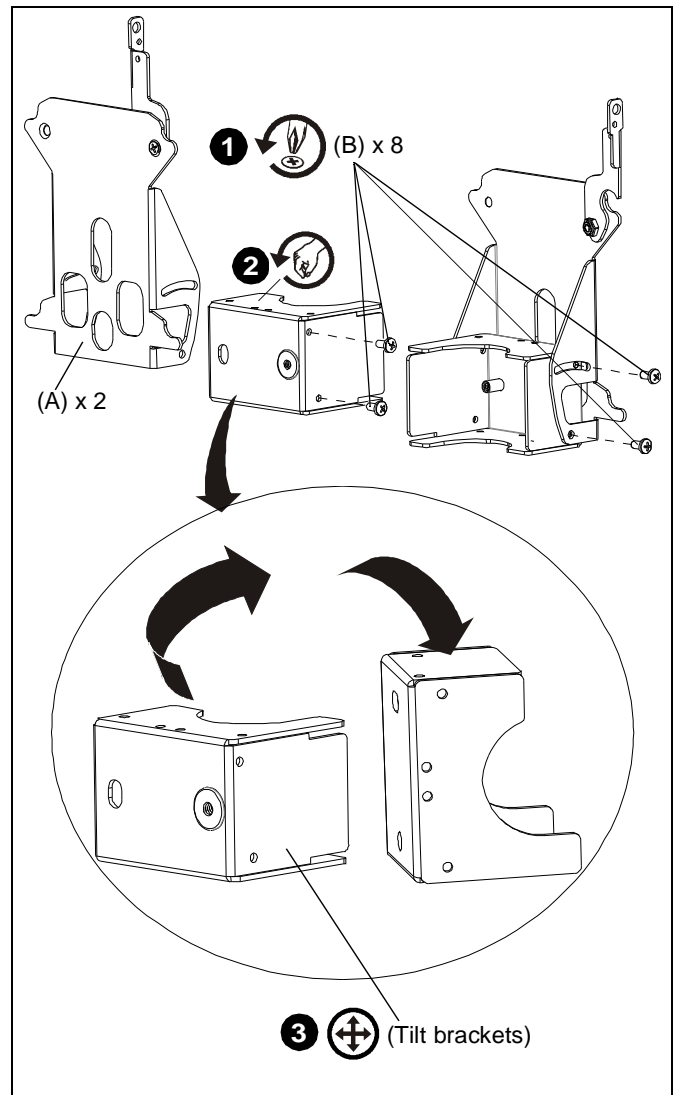


Figure 2

4. Insert 1/2" x .194 x 1/2" nylon spacers (C). (See Figure 3)
5. Secure to FDP (A) using 10-24 x 1" Phillips head screws (B). (See Figure 3)

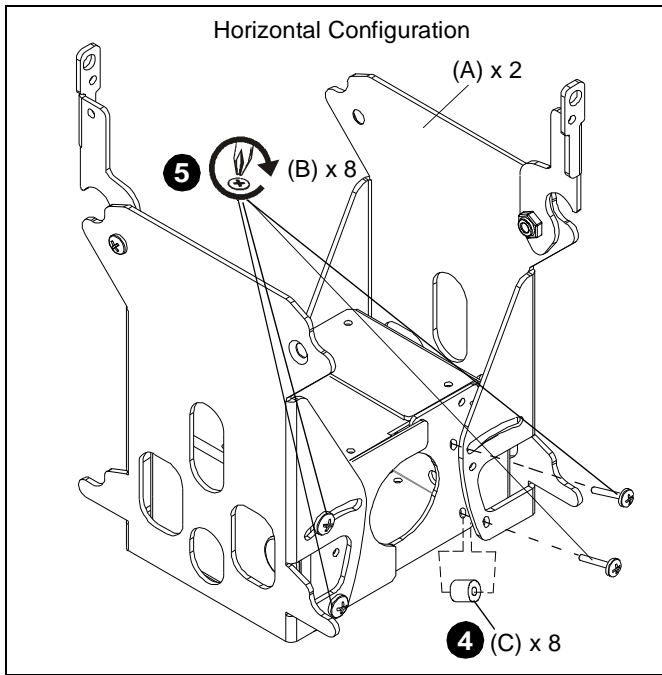


Figure 3

6. Assemble two FDP bracket halves (A) around pole for horizontal mounting. (See Figure 4)
7. Insert two 1/4-20 x 4-1/4" hex bolts (D) and two .75 x .26 x .048" spacers (E), then tighten to secure the two bracket halves against pole. (See Figure 4)

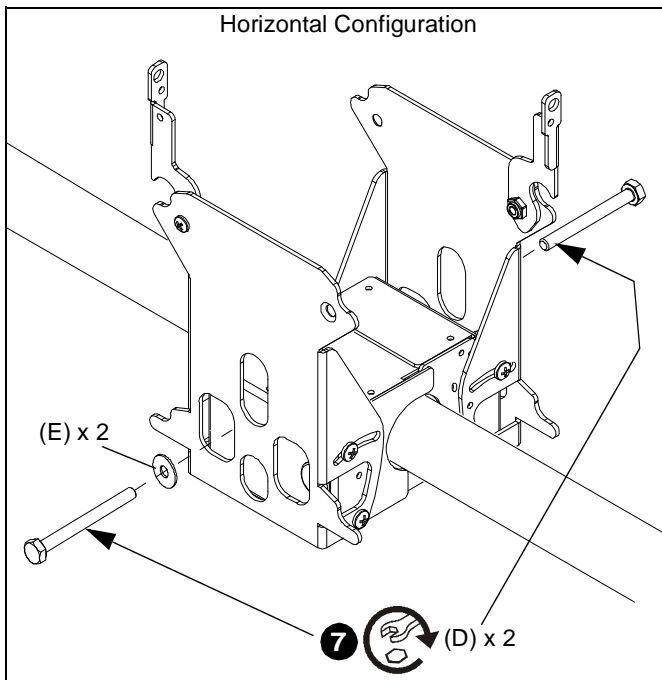


Figure 4

### Vertical Installation

The FDP assembly ships configured for vertical pole mounting.

1. Assemble two FDP bracket halves (A) and secure around pole using two 1/4-20 x 4-1/4" hex bolts (D) and two .75 x .26 x .048" spacers (E). (See Figure 5)

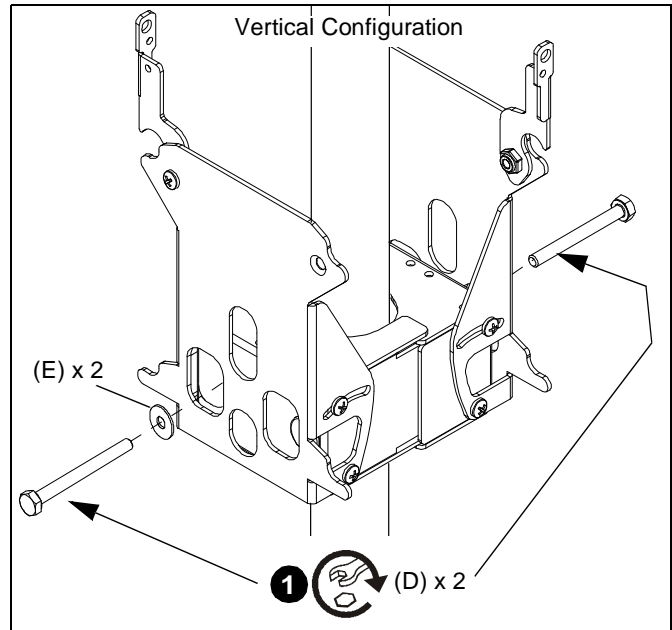


Figure 5

### Installing Display with Interface Bracket



**WARNING:** Exceeding the weight capacity can result in serious personal injury or damage to equipment! It is the installer's responsibility to make sure the combined weight of all components attached to the FDP does not exceed 45 lbs (20.4 kg).

1. Install FSB interface bracket (F) using the instructions and hardware provided with the interface bracket kit.
2. Make sure both latching flags on FDP are in the unlocked position. (See Figure 6)

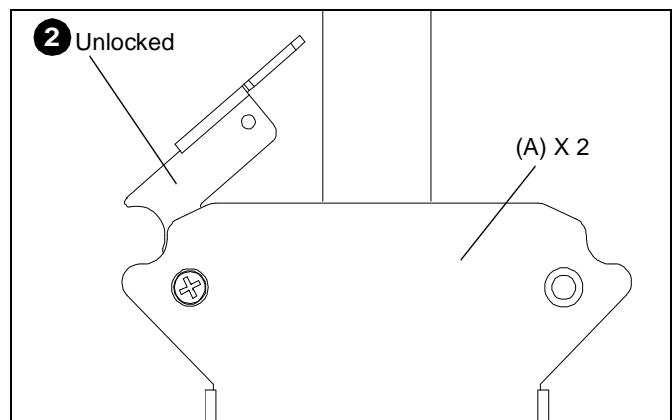


Figure 6

3. Lift and maneuver display so that mounting buttons on interface brackets (F) fit into button openings on FDP (A). (See Figure 7)
4. Lower display firmly into place. Ensure each button has fully seated in its button opening.

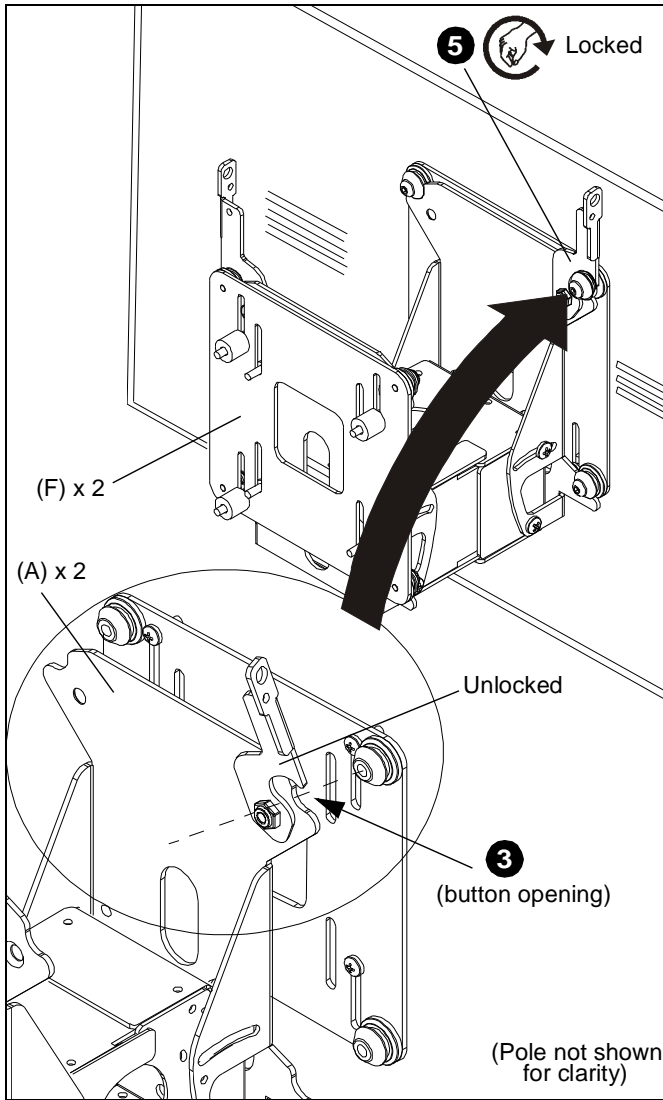


Figure 7

5. Engage latching flags, locking the flat panel displays attached to interface brackets (F) in place (See Figure 7).

**Tilt Adjustment**



**WARNING:** IMPROPER HANDLING CAN LEAD TO DISPLAY FALLING CAUSING SERIOUS PERSONAL INJURY OR DAMAGE TO EQUIPMENT! Inadequate support of display while adjusting tilt may cause display to fall!

1. Adjust tilt by loosening (slightly) tilt adjustment screws on each side of FDP (A), adjust to desired angle, then tighten tilt adjustment screws. (See Figure 8)

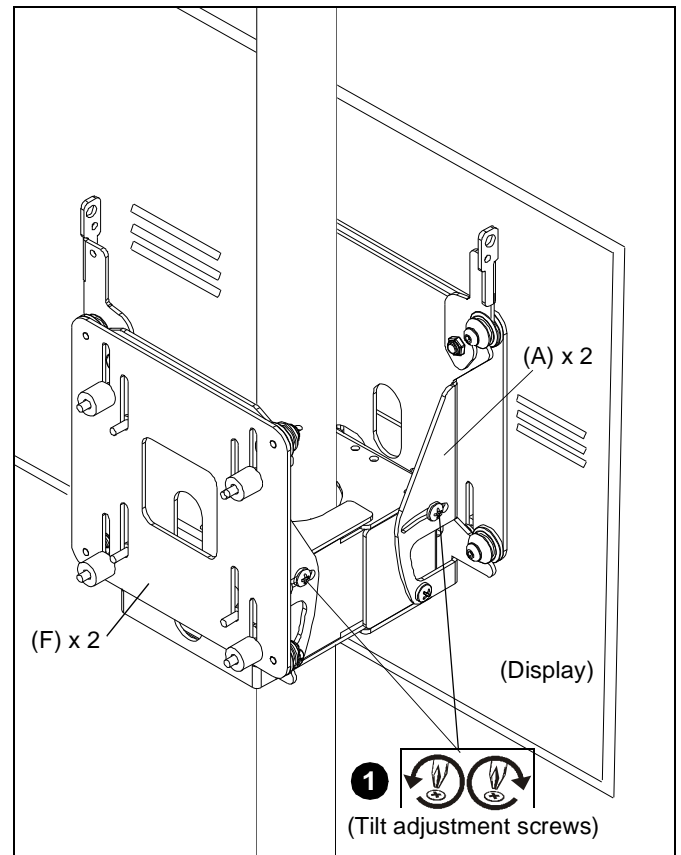


Figure 8



Our Mounts. **Your Vision.**

Chief, a products division of  
Milestone AV Technologies

8800-002565 Rev00  
©2014 Milestone AV Technologies  
[www.chiefmfg.com](http://www.chiefmfg.com)  
04/14

**USA/International**    **A** 6436 City West Parkway, Eden Prairie, MN 55344  
                                  **P** 800.582.6480 / 952.225.6000  
                                  **F** 877.894.6918 / 952.894.6918

**Europe**                    **A** Franklinstraat 14, 6003 DK Weert, Netherlands  
                                  **P** +31 (0) 495 580 852  
                                  **F** +31 (0) 495 580 845

**Asia Pacific**            **A** Office No. 1 on 12/F, Shatin Galleria  
                                  18-24 Shan Mei Street  
                                  Fotan, Shatin, Hong Kong  
                                  **P** 852 2145 4099  
                                  **F** 852 2145 4477

