

INSTALLATION INSTRUCTIONS

FHB-3095 / FHB-5095

The FHB hardware kits are designed for use with Chief® Series Mounts. See the specific installation instructions provided with the mount for additional installation information.

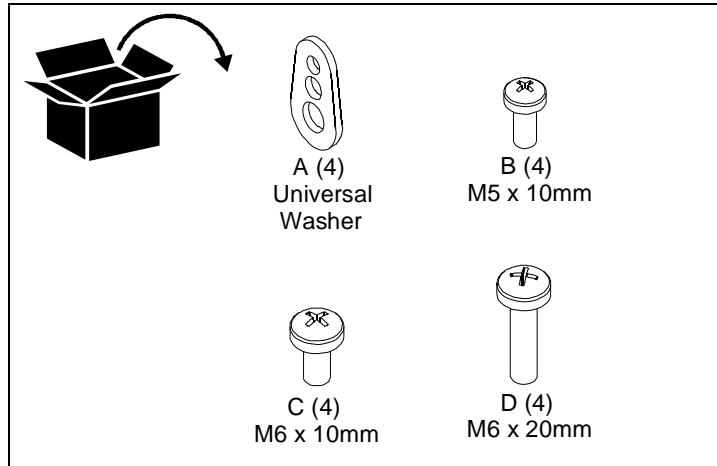
Unpack and verify kit contents. If any listed parts are missing, immediately contact a Chief Customer Service representative.



WARNING: IMPROPER INSTALLATION CAN LEAD TO EQUIPMENT FALLING CAUSING SERIOUS PERSONAL INJURY AND DAMAGE TO EQUIPMENT! DO NOT substitute hardware. Use only hardware supplied by manufacturer!

(Qty)	Description
A	(4) Universal Washer
B	(4) Screw, Phillips Pan Head, M5 x 10mm
C	(4) Screw, Phillips Pan Head, M6 x 10mm
D	(4) Screw, Phillips Pan Head, M6 x 20mm

PARTS



WARNING: OVER TIGHTENING OF SCREWS CAN DAMAGE PARTS AND CAN LEAD TO SERIOUS PERSONAL INJURY AND DAMAGE TO EQUIPMENT! DO NOT over tighten screws when installing interface brackets.

NOTE: Properly sized screws will easily and completely thread into display mounting holes. If spacers are required, be sure to use longer screws of the same diameter.

©Chief is a registered trademark of Milestone AV Technologies. All rights reserved.

Milestone AV Technologies, and its affiliated corporations and subsidiaries (collectively, "Milestone"), intend to make this manual accurate and complete. However, Milestone makes no claim that the information contained herein covers all details, conditions or variations, nor does it provide for every possible contingency in connection with the installation or use of this product. The information contained in this document is subject to change without notice or obligation of any kind. Milestone makes no representation of warranty, expressed or implied, regarding the information contained herein. Milestone assumes no responsibility for accuracy, completeness or sufficiency of the information contained in this document.

NOTE: The provided fasteners should be used with the universal washer (A) as noted. (See Figure 1)

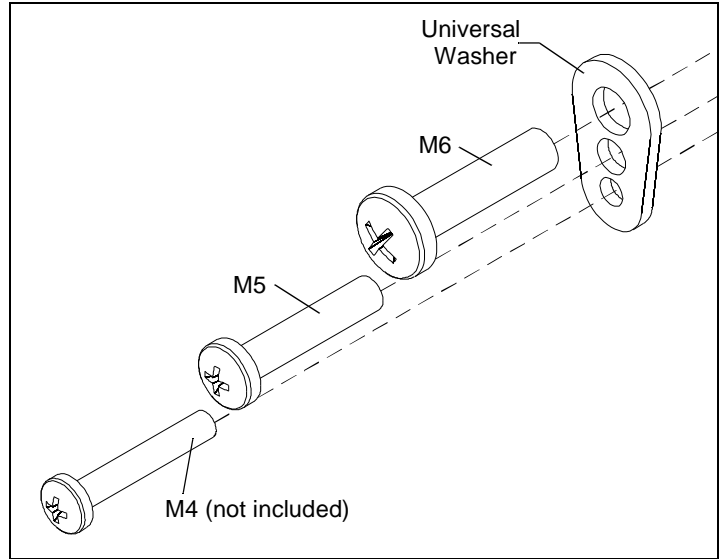


Figure 1

1. Attach interface brackets to back of display using the provided hardware, and noting where the centerline of display should be located against the interface bracket. (See Figure 2)

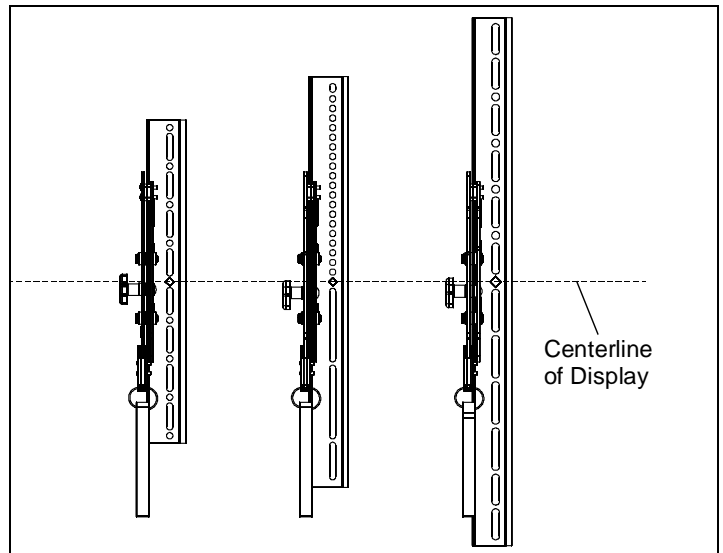


Figure 2

2. Continue installation following the instructions included with the mount.



Our Mounts. Your Vision.

Chief Manufacturing, a products division of
Milestone AV Technologies

8401 Eagle Creek Parkway, Savage, MN 55378

• P: 800.582.6480 / 952.894.6280 • F: 877.894.6918 / 952.894.6918

8800-002015 Rev00

©2009 Milestone AV Technologies,
a Duchossois Group Company

www.chiefmfg.com

06/09