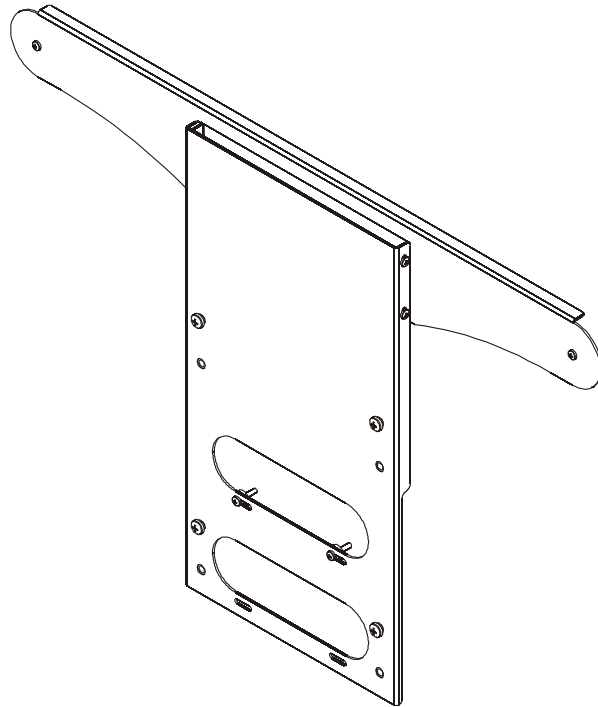


---

# INSTALLATION INSTRUCTIONS

---



---

## Custom Interface Bracket

---

**DISCLAIMER**

Milestone AV Technologies and its affiliated corporations and subsidiaries (collectively "Milestone"), intend to make this manual accurate and complete. However, Milestone makes no claim that the information contained herein covers all details, conditions or variations, nor does it provide for every possible contingency in connection with the installation or use of this product. The information contained in this document is subject to change without notice or obligation of any kind. Milestone makes no representation of warranty, expressed or implied, regarding the information contained herein. Milestone assumes no responsibility for accuracy, completeness or sufficiency of the information contained in this document.

Chief® is a registered trademark of Milestone AV Technologies. All rights reserved.

**! IMPORTANT WARNINGS AND CAUTIONS!**

**! WARNING:** A WARNING alerts you to the possibility of serious injury or death if you do not follow the instructions.

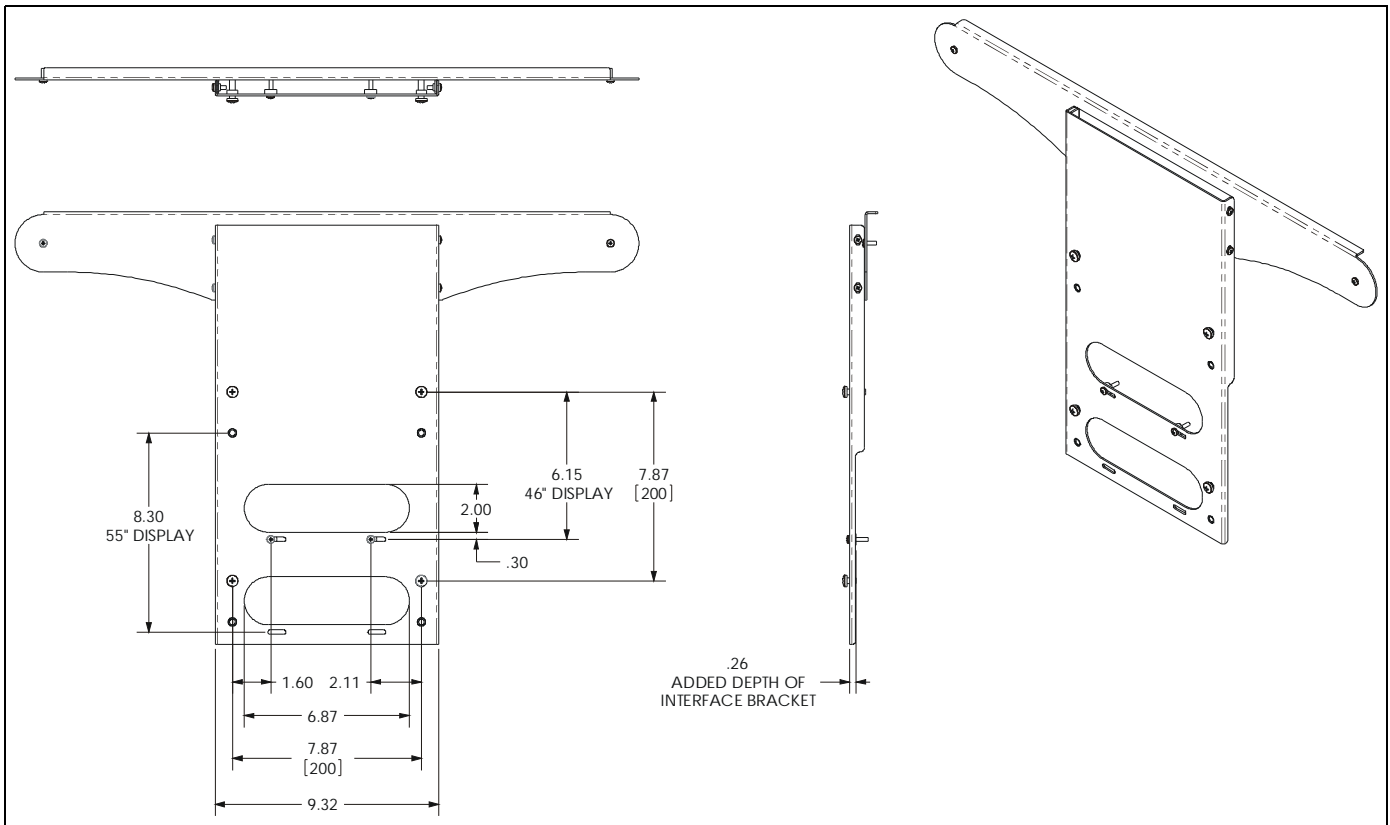
**! CAUTION:** A CAUTION alerts you to the possibility of damage or destruction of equipment if you do not follow the corresponding instructions.

**! WARNING:** Failure to read, thoroughly understand, and follow all instructions can result in serious personal injury, damage to equipment, or voiding of factory warranty! It is the installer's responsibility to make sure all components are properly assembled and installed using the instructions provided.

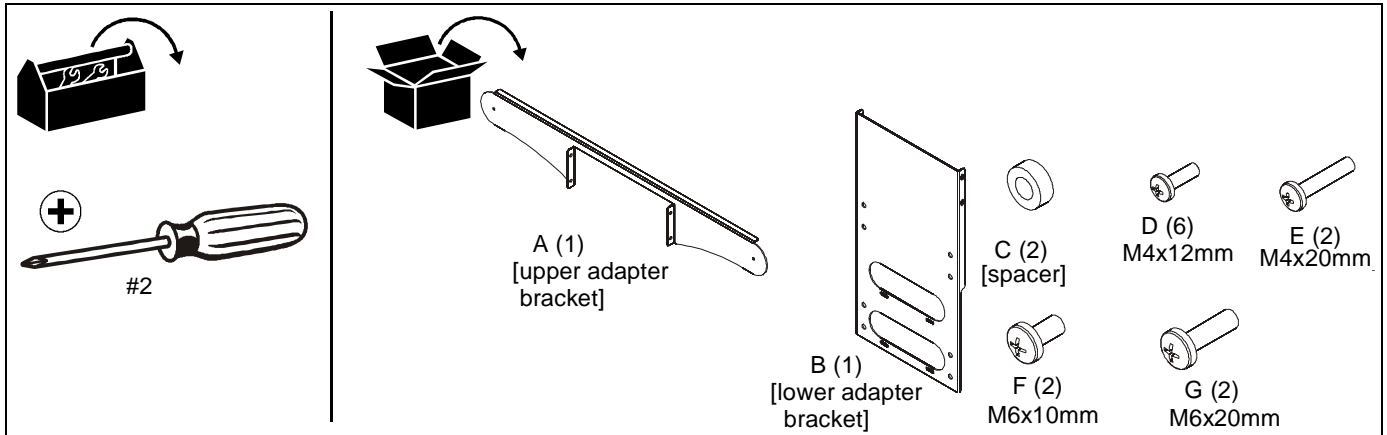
**! WARNING:** Failure to provide adequate structural strength for this component can result in serious personal injury or damage to equipment! It is the installer's responsibility to make sure the structure to which this component is attached can support five times the combined weight of all equipment. Reinforce the structure as required before installing the component. The wall to which the mount is being attached may have a maximum drywall thickness of 5/8" (1.6cm).

**! WARNING:** Exceeding the weight capacity can result in serious personal injury or damage to equipment! It is the installer's responsibility to make sure the maximum weight installed on the interface bracket doesn't exceed 50 lbs (22.68 kg).

**DIMENSIONS**



**TOOLS / PARTS FOR INSTALLATION**



**ASSEMBLY AND INSTALLATION**

1. Prepare display for wall mounting according to instructions included with display and lay display face down on a soft, non-abrasive surface.

**NOTE:** Top center screws holding connector panel to display must be removed prior to installing interface to display.

2. Loosely attach upper adapter bracket (A) to lower adapter bracket (B) using four M4x12mm Phillips pan machine screws (D). (See Figure 1)

**NOTE:** DO NOT tighten screws at this point in order to allow for some variance when installing lower screws.

3. Attach upper adapter bracket (A) to display using two M4x12mm Phillips pan machine screws (D). (See Figure 1)

4. Attach lower adapter bracket (B) to display using two M4x20mm Phillips pan machine screws (E) and two spacers (C). (See Figure 1)

**IMPORTANT ! :** If installing UN55C9000 display, the lower two holes must be used to attach lower adapter bracket to display.

5. Tighten all screws to fully secure bracket to display.
6. Attach mount to wall according to mount's installation instructions.

**NOTE:** This FHB has a 200 x 200 VESA mounting pattern which is designed to easily be mounted either directly to a faceplate or to two interface uprights which can be hung onto mounting rails. Follow the correct scenario depending on the type of mount being used.

**Mounting Directly to Faceplate**

1. Install two M6x20mm Phillips pan machine screws (G) into the upper two holes on lower adapter bracket (B). (See Figure 3)

**IMPORTANT ! :** If installing UN55C9000 display, the mounting screws (F and G) must be mounted into the lower holes on lower adapter bracket in order to achieve a centered mount!

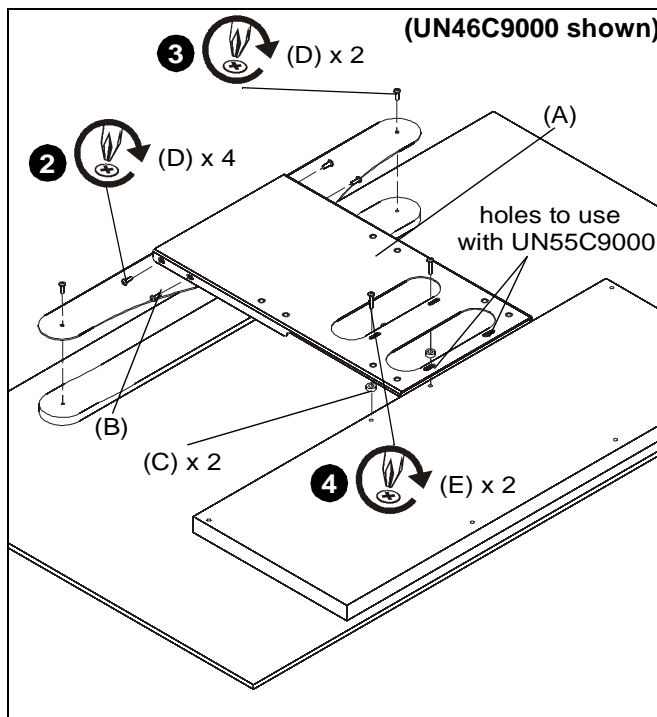


Figure 1

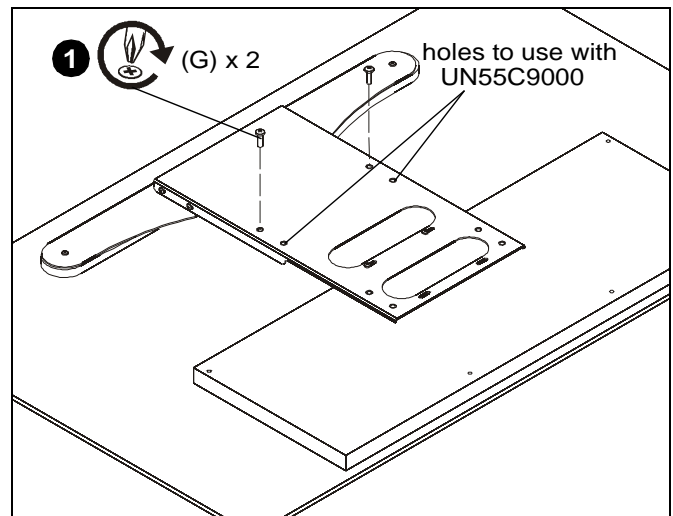


Figure 2

2. Hang display by two screws onto faceplate through upper teardrop mounting holes. (See Figure 3)
3. Install two M6x10mm Phillips pan machine screws (F) through lower mounting holes and into lower holes on lower adapter bracket (B). (See Figure 3)

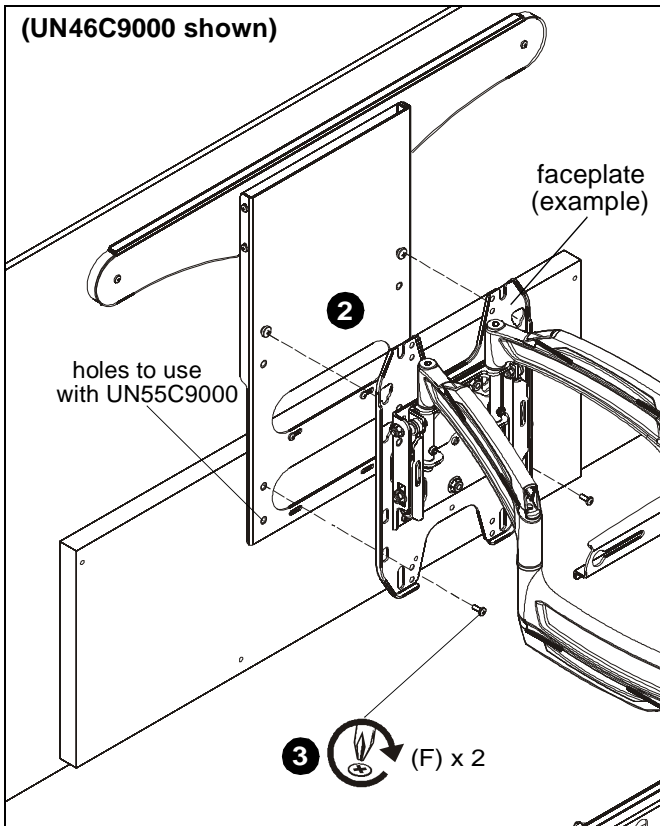


Figure 3

4. Complete the installation following the mount installation instructions.

### Mounting to Uprights

1. Align uprights with mounting holes on lower adapter bracket making sure the center of display coincides with the diamond shapes on the uprights. (See Figure 4)
2. Install two M6x20mm Phillips pan machine screws (G) into the holes on the mounting uprights that coincide with the upper two holes on lower adapter bracket (B). (See Figure 4)

**IMPORTANT !** : If installing UN55C9000 display, the mounting screws (F and G) must be mounted into the lower holes on lower adapter bracket in order to achieve a centered mount!

3. Install two M6x10mm Phillips pan machine screws (F) into the holes on the mounting uprights that coincide with the lower two holes on lower adapter bracket. (See Figure 4)

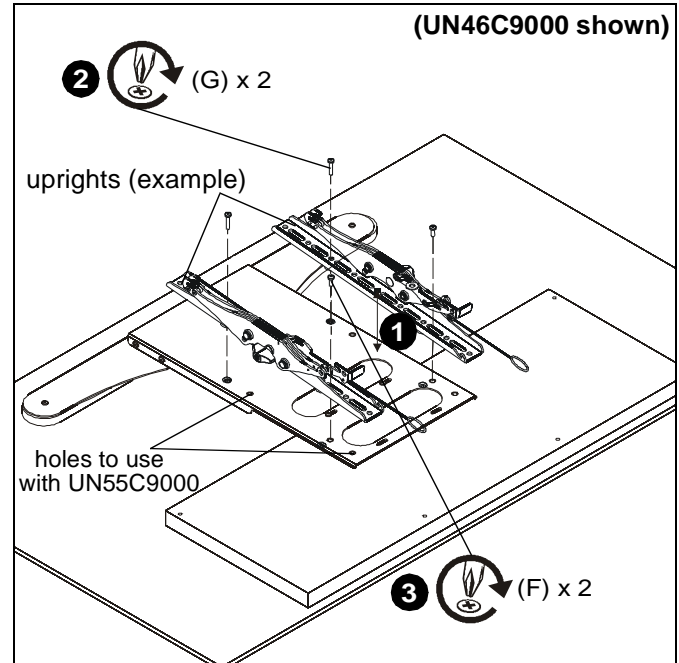


Figure 4

4. Complete the installation following the mount installation instructions.









Our Mounts. **Your Vision.**

Chief Manufacturing, a products division  
of Milestone AV Technologies

8800-002067 Rev00  
©2010 Milestone AV Technologies, a  
Duchossois Group Company  
[www.chiefmfg.com](http://www.chiefmfg.com)  
12/10

<b>USA/International</b>	<b>A</b> 8401 Eagle Creek Parkway, Savage, MN 55378 <b>P</b> 800.582.6480 / 952.894.6280 <b>F</b> 877.894.6918 / 952.894.6918
<b>Europe</b>	<b>A</b> Fellenoord 130 5611 ZB EINDHOVEN, The Netherlands <b>P</b> +31 (0)40 2668620 <b>F</b> +31 (0)40 2668615
<b>Asia Pacific</b>	<b>A</b> Office No. 1 on 12/F, Shatin Galleria 18-24 Shan Mei Street Fotan, Shatin, Hong Kong <b>P</b> 852 2145 4099 <b>F</b> 852 2145 4477

