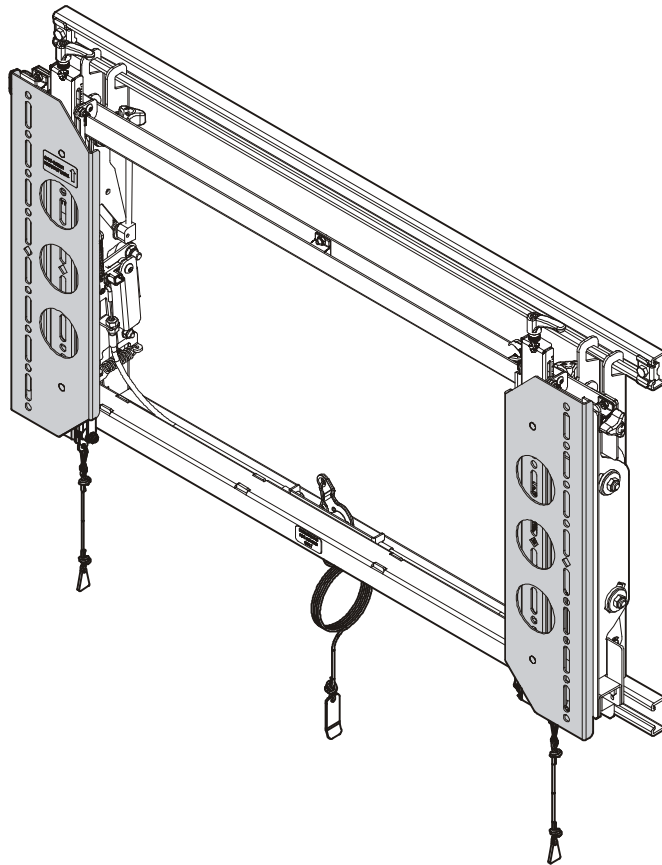


---

# INSTALLATION INSTRUCTIONS

---



---

## Interface Extenders

---

**DISCLAIMER**

Milestone AV Technologies and its affiliated corporations and subsidiaries (collectively "Milestone"), intend to make this manual accurate and complete. However, Milestone makes no claim that the information contained herein covers all details, conditions or variations, nor does it provide for every possible contingency in connection with the installation or use of this product. The information contained in this document is subject to change without notice or obligation of any kind. Milestone makes no representation of warranty, expressed or implied, regarding the information contained herein. Milestone assumes no responsibility for accuracy, completeness or sufficiency of the information contained in this document.

Chief® is a registered trademark of Milestone AV Technologies. All rights reserved.

**! IMPORTANT SAFETY INSTRUCTIONS**

**! WARNING:** A WARNING alerts you to the possibility of serious injury or death if you do not follow the instructions.

**! CAUTION:** A CAUTION alerts you to the possibility of damage or destruction of equipment if you do not follow the corresponding instructions.

**! WARNING:** Failure to read, thoroughly understand, and follow all instructions can result in serious personal injury, damage to equipment, or voiding of factory warranty! It is the installer's responsibility to make sure all components are properly assembled and installed using the instructions provided.

**! WARNING:** Failure to provide adequate structural strength for this component can result in serious personal injury or damage to equipment! It is the installer's responsibility to make sure the structure to which this component is attached can support five times the combined weight of all equipment. Reinforce the structure as required before installing the component.

**! WARNING:** Exceeding the weight capacity can result in serious personal injury or damage to equipment! It is the installer's responsibility to make sure the combined weight of all components attached to the FHB5050 does not exceed 150 lbs (68.0 kg), the weight capacity of the LVS1U/LVSXU.

**! WARNING:** Use this mounting system only for its intended use as described in these instructions. Do not use attachments not recommended by the manufacturer.

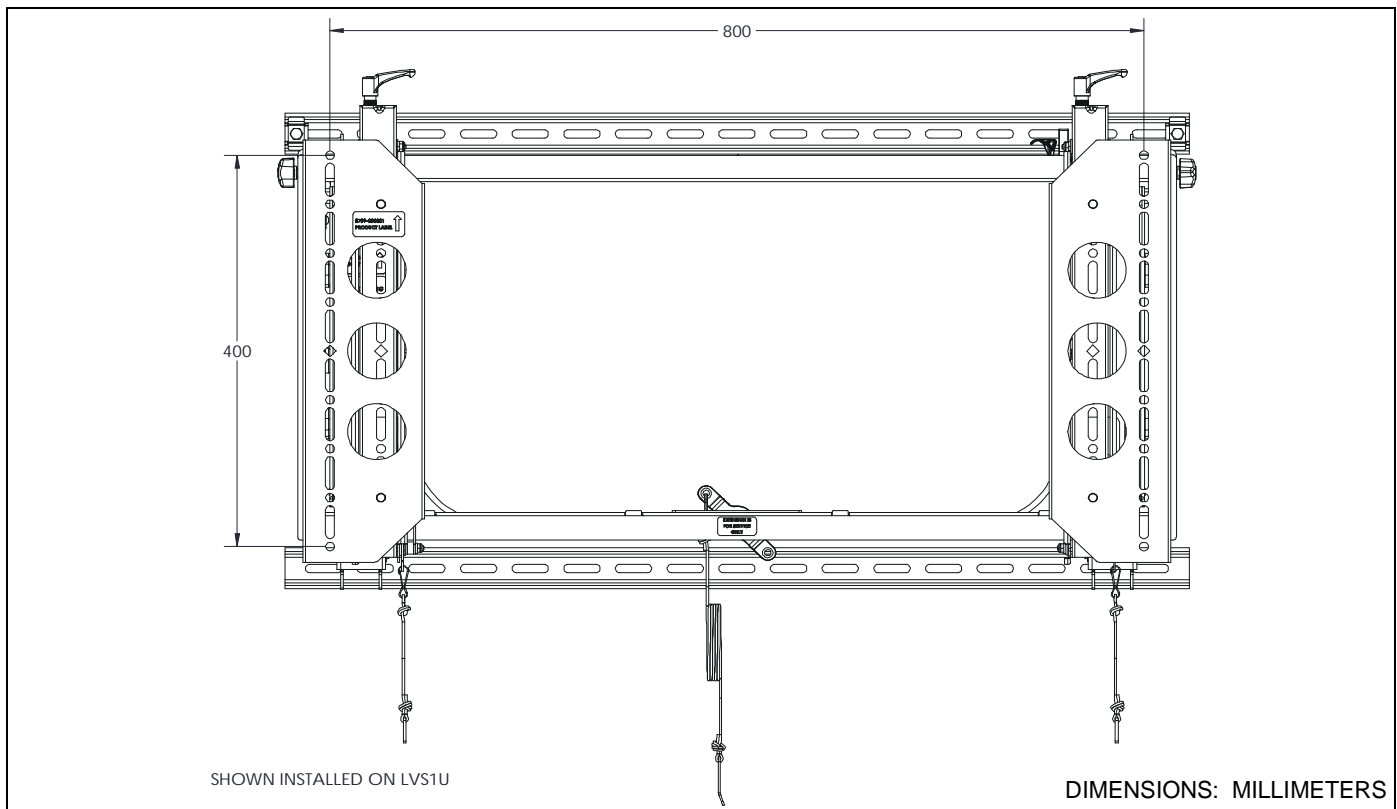
**! WARNING:** Never operate this mounting system if it is damaged. Return the mounting system to a service center for examination and repair.

**! WARNING:** Do not use this product outdoors.

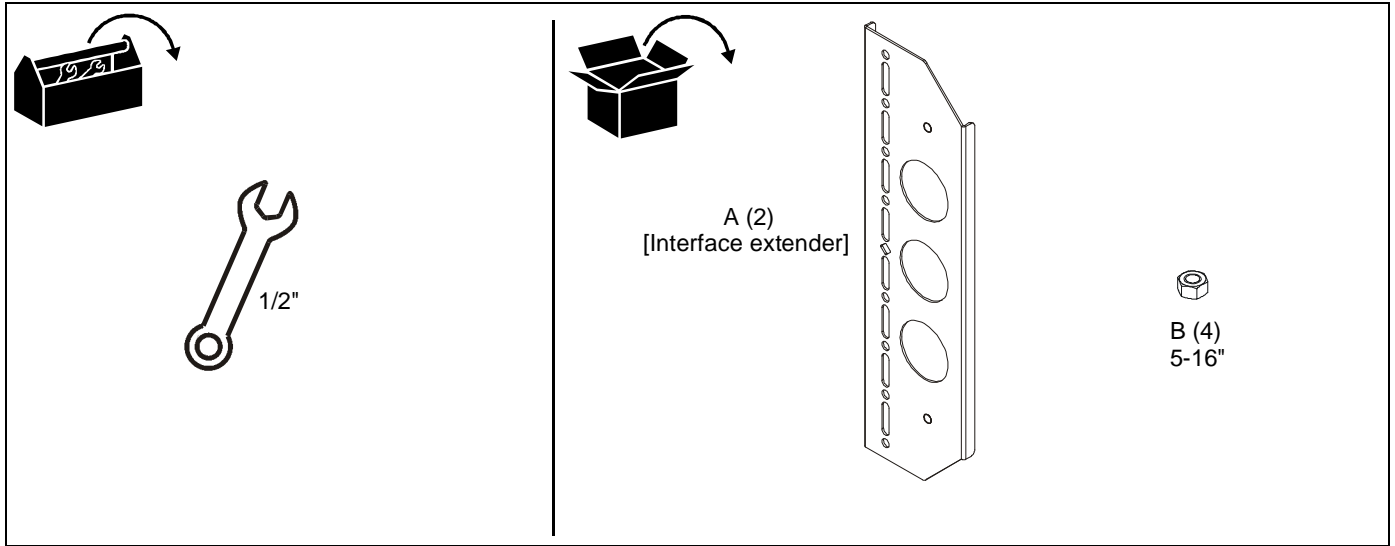
**IMPORTANT ! :** The FHB5050 is an interface extender to be used with the Chief LVS1U/LVSXU video wall mounting system.

**--SAVE THESE INSTRUCTIONS--**

**DIMENSIONS**



**TOOLS / PARTS FOR INSTALLATION**

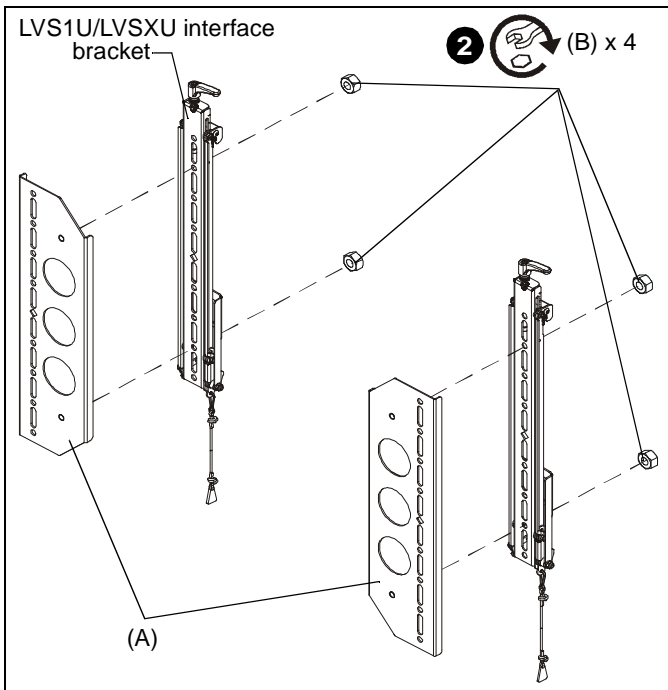


**ASSEMBLY AND INSTALLATION**

**NOTE:** The FHB5050 extends the LVS1U/LVSXU to accept a display with an 800mm x 400mm mounting pattern.

1. Line up one interface extender (A) with each LVS1U/LVSXU interface bracket (not included), aligning the stud from back of interface extender through interface bracket. (See Figure 1)
2. Fasten interface extender to interface bracket using two 5/16" nuts (B) over studs on each interface extender. (See Figure 1)

3. Complete the installation following instructions included with the LVS1U/LVSXU (beginning with **Installing Interface Brackets** section).



**Figure 1**



Our Mounts. **Your Vision.**

Chief, a products division of  
Milestone AV Technologies

8800-002699 Rev00  
©2014 Milestone AV Technologies  
[www.chiefmfg.com](http://www.chiefmfg.com)  
12/14

<b>USA/International</b>	<b>A</b> 6436 City West Parkway, Eden Prairie, MN 55344 <b>P</b> 800.582.6480 / 952.225.6000 <b>F</b> 877.894.6918 / 952.894.6918
<b>Europe</b>	<b>A</b> Franklinstraat 14, 6003 DK Weert, Netherlands <b>P</b> +31 (0) 495 580 852 <b>F</b> +31 (0) 495 580 845
<b>Asia Pacific</b>	<b>A</b> Office No. 918 on 9/F, Shatin Galleria 18-24 Shan Mei Street Fotan, Shatin, Hong Kong <b>P</b> 852 2145 4099 <b>F</b> 852 2145 4477

