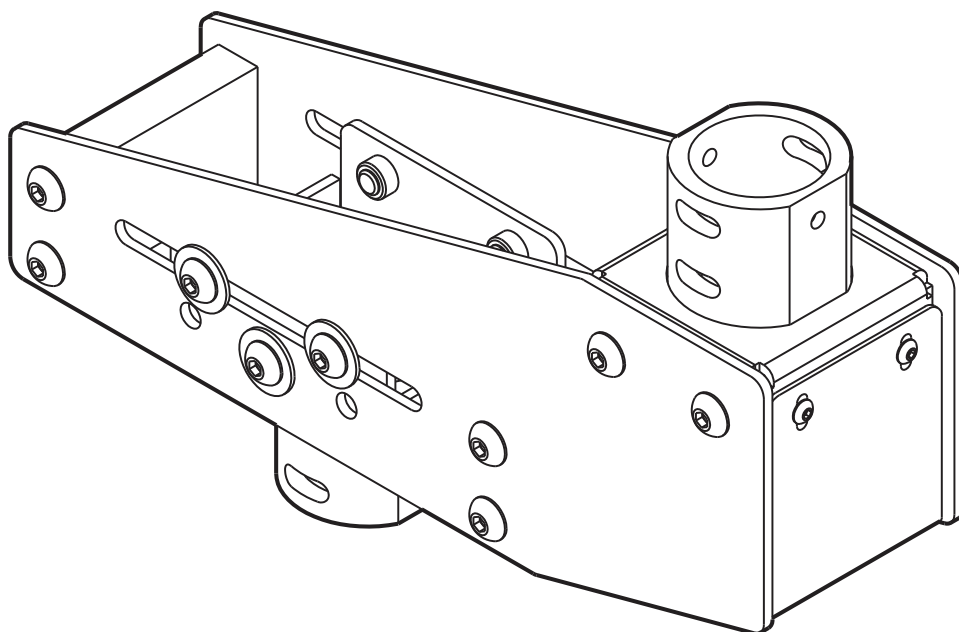

INSTALLATION INSTRUCTIONS



Fusion Ceiling Mount Offset

DISCLAIMER

Milestone AV Technologies and its affiliated corporations and subsidiaries (collectively "Milestone"), intend to make this manual accurate and complete. However, Milestone makes no claim that the information contained herein covers all details, conditions or variations, nor does it provide for every possible contingency in connection with the installation or use of this product. The information contained in this document is subject to change without notice or obligation of any kind. Milestone makes no representation of warranty, expressed or implied, regarding the information contained herein. Milestone assumes no responsibility for accuracy, completeness or sufficiency of the information contained in this document.

Chief® is a registered trademark of Milestone AV Technologies. All rights reserved.

DEFINITIONS

MOUNTING SYSTEM: A MOUNTING SYSTEM is the primary Chief product to which an accessory and/or component is attached.

ACCESSORY: AN ACCESSORY is the secondary Chief product which is attached to a primary Chief product, and may have a component attached or setting on it.

COMPONENT: A COMPONENT is an audiovisual item designed to be attached or resting on an accessory or mounting system such as a video camera, CPU, screen, display, projector, etc.



WARNING: A WARNING alerts you to the possibility of serious injury or death if you do not follow the instructions.



CAUTION: A CAUTION alerts you to the possibility of damage or destruction of equipment if you do not follow the corresponding instructions.



IMPORTANT SAFETY INSTRUCTIONS



WARNING: Failure to read, thoroughly understand, and follow all instructions can result in serious personal injury, damage to equipment, or voiding of factory warranty! It is the installer's responsibility to make sure all mounting systems / accessories are properly assembled and installed using the instructions provided.

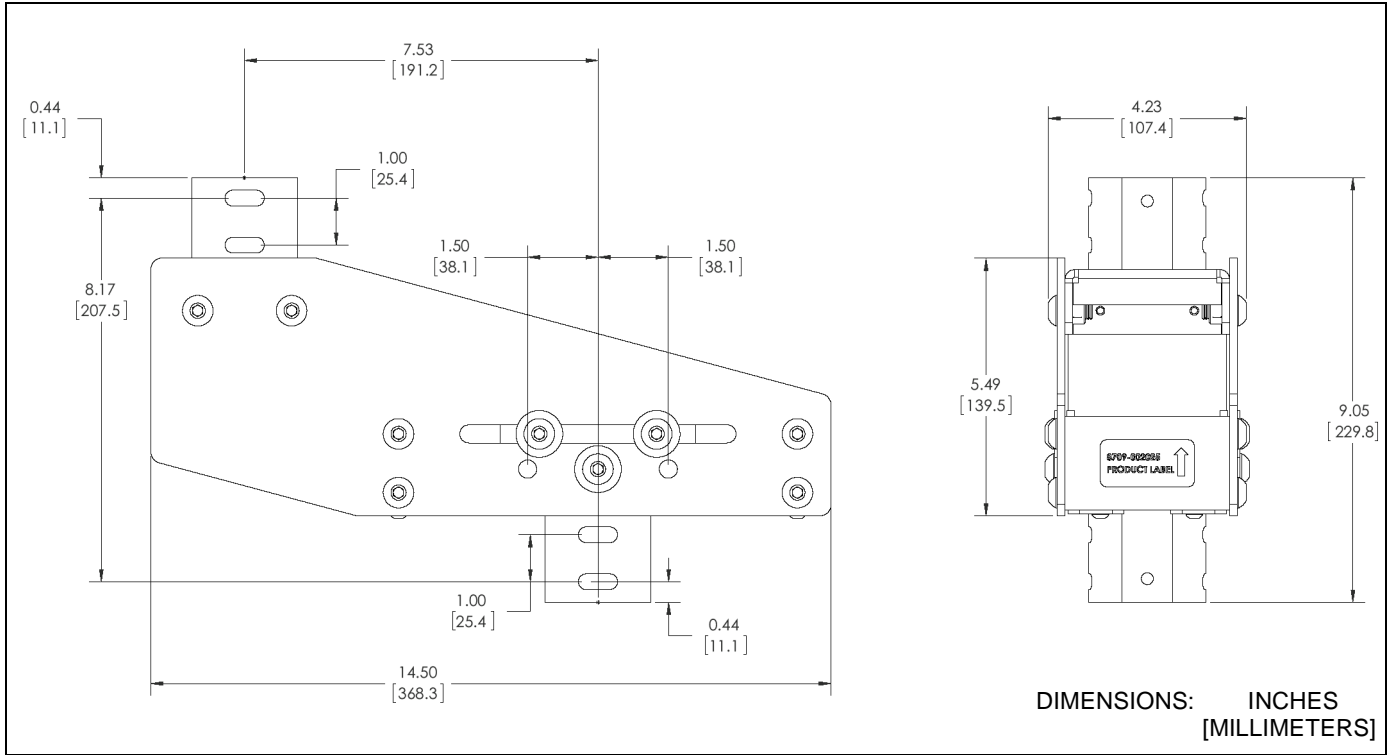


WARNING: Exceeding the weight capacity can result in serious personal injury or damage to equipment! It is the installer's responsibility to make sure the combined weight of all components attached to mounting system does not exceed the weight capacity listed in the **Fusion Modular Systems installation instructions**.



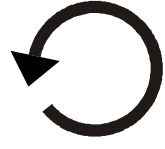


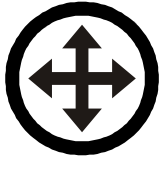






IMPORTANT ! : These installation instructions must be used in conjunction with the **Fusion Modular Systems** installation instructions.

--SAVE THESE INSTRUCTIONS--

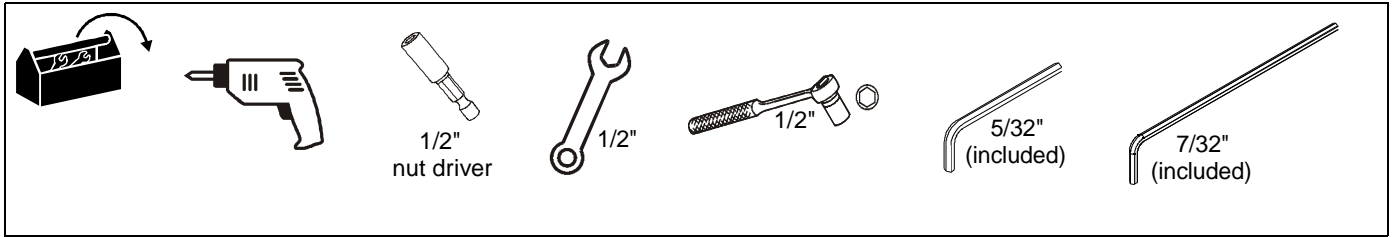
DIMENSIONS



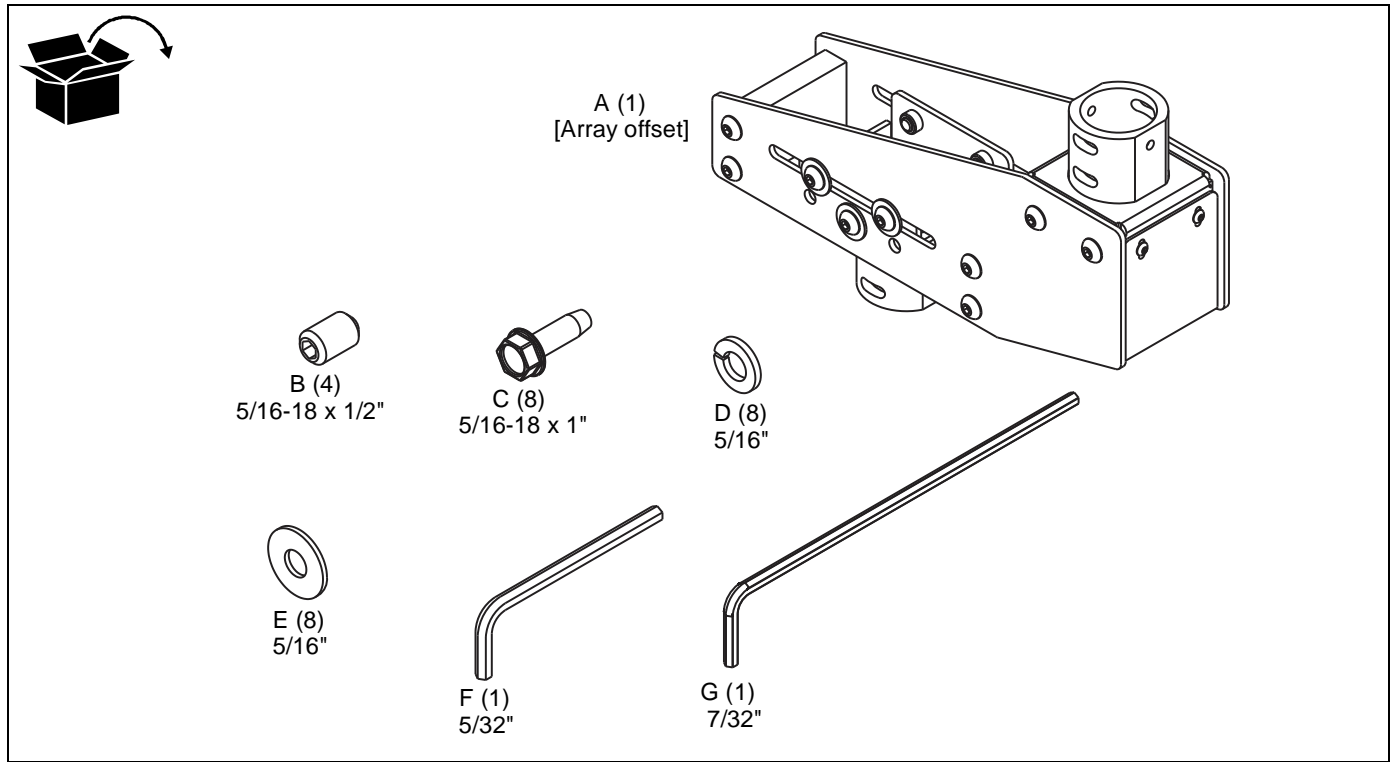
LEGEND

	<p>Tighten Fastener</p> <p>Apretar elemento de fijación</p> <p>Befestigungsteil festziehen</p> <p>Apertar fixador</p> <p>Serrare il fissaggio</p> <p>Bevestiging vastdraaien</p> <p>Serrez les fixations</p>		<p>Pencil Mark</p> <p>Marcar con lápiz</p> <p>Stiftmarkierung</p> <p>Marcar com lápis</p> <p>Segno a matita</p> <p>Potloodmerkteken</p> <p>Marquage au crayon</p>
	<p>Loosen Fastener</p> <p>Aflojar elemento de fijación</p> <p>Befestigungsteil lösen</p> <p>Desapertar fixador</p> <p>Allentare il fissaggio</p> <p>Bevestiging losdraaien</p> <p>Desserrez les fixations</p>		<p>Drill Hole</p> <p>Perforar</p> <p>Bohrloch</p> <p>Fazer furo</p> <p>Praticare un foro</p> <p>Gat boren</p> <p>Percez un trou</p>
	<p>Phillips Screwdriver</p> <p>Destornillador Phillips</p> <p>Kreuzschlitzschraubendreher</p> <p>Chave de fendas Phillips</p> <p>Cacciavite a stella</p> <p>Kruiskopschroevendraaier</p> <p>Tournevis à pointe cruciforme</p>		<p>Adjust</p> <p>Ajustar</p> <p>Einstellen</p> <p>Ajustar</p> <p>Regolare</p> <p>Afstellen</p> <p>Ajuster</p>
	<p>Open-Ended Wrench</p> <p>Llave de boca</p> <p>Gabelschlüssel</p> <p>Chave de bocas</p> <p>Chiave a punte aperte</p> <p>Steeksleutel</p> <p>Clé à fourche</p>		<p>Remove</p> <p>Quitar</p> <p>Entfernen</p> <p>Remover</p> <p>Rimuovere</p> <p>Verwijderen</p> <p>Retirez</p>
	<p>By Hand</p> <p>A mano</p> <p>Von Hand</p> <p>Com a mão</p> <p>A mano</p> <p>Met de hand</p> <p>À la main</p>		<p>Optional</p> <p>Opcional</p> <p>Optional</p> <p>Opcional</p> <p>Opzionale</p> <p>Optie</p> <p>En option</p>
	<p>Hex-Head Wrench</p> <p>Llave de cabeza hexagonal</p> <p>Sechskantschlüssel</p> <p>Chave de cabeça sextavada</p> <p>Chiave esagonale</p> <p>Zeskantsleutel</p> <p>Clé à tête hexagonale</p>		<p>Security Wrench</p> <p>Llave de seguridad</p> <p>Sicherheitsschlüssel</p> <p>Chave de segurança</p> <p>Chiave di sicurezza</p> <p>Veiligheidsleutel</p> <p>Clé de sécurité</p>

TOOLS REQUIRED FOR INSTALLATION



PARTS



INSTALLATION

NOTE: The following procedure assumes that Chief UL Listed CPA or CMA ceiling plates (not included) and extension columns (not included) have been properly installed following instructions provided with ceiling plates and extension columns.

- The ceiling plates and columns should be installed approximately spaced at center of outside screens, and spacings should not exceed those outlined in the **Fusion Modular Systems** installation instructions.

IMPORTANT ! : The weight of the system should be evenly distributed across ceiling plates.

IMPORTANT ! : Also be sure to reference ceiling system attachment guidelines in the **Fusion Modular Systems** installation instructions.

Installing Array Offset

1. Measure depth of screens to be installed and compare to offset position information. (Table 1)

Table 1: Offset Position for Screen Depth

ARRAY OFFSET	Forward Position	Center Position	Rear Position
Screen Depth	< 2.5" depth	2.5" to 4.5" depth	> 4.5" depth

NOTE: The array offset (A) ships in the centered position. If the screen depth is 2.5" to 4.5" leave the array offset as is, and proceed to **Attaching Array Offset to Installed Column** section.

2. Loosen and remove fastener and washer from center hole on each side of array offset (A). (See Figure 1)
3. Loosen two outside fasteners on each side of array offset (A).
4. Slide offset to appropriate position. (See Figure 1)
5. Tighten two outside fasteners on each side of offset.
6. Install and tighten fastener with washer (removed in Step 2) into appropriate hole on each side of offset. (See Figure 1)

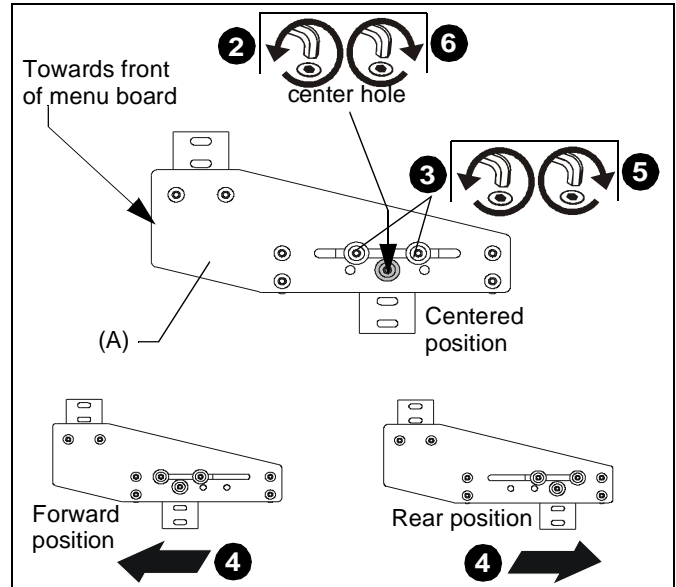


Figure 1

Attaching Array Offset to Installed Column

NOTE: If the column attached to the ceiling plate is a 1-1/2" NPT column, the UL Listed Chief CPA261 adapter accessory (not included) must first be installed following instructions included with the accessory. No adapter is necessary if attaching to a UL listed Chief CPA extension column.

NOTE: Installation of hex head self-tapping screws will be easier when screws are carefully aligned with holes in extension column, and a drill and nut driver is used. If a drill will NOT be used, a small amount of pressure will be needed to get the self-tapping screws started.

1. Secure array offset (A) to extension column (not included) using four 5/16-18 x 1" hex head self-tapping screws (C), four 5/16" split lock washers (D) and four 5/16" flat washers (E) through holes in extension column. (See Figure 2)
2. Install two 5/16" x 1/2" set screws (B) into threaded holes, tightening firmly against column. (See Figure 2)

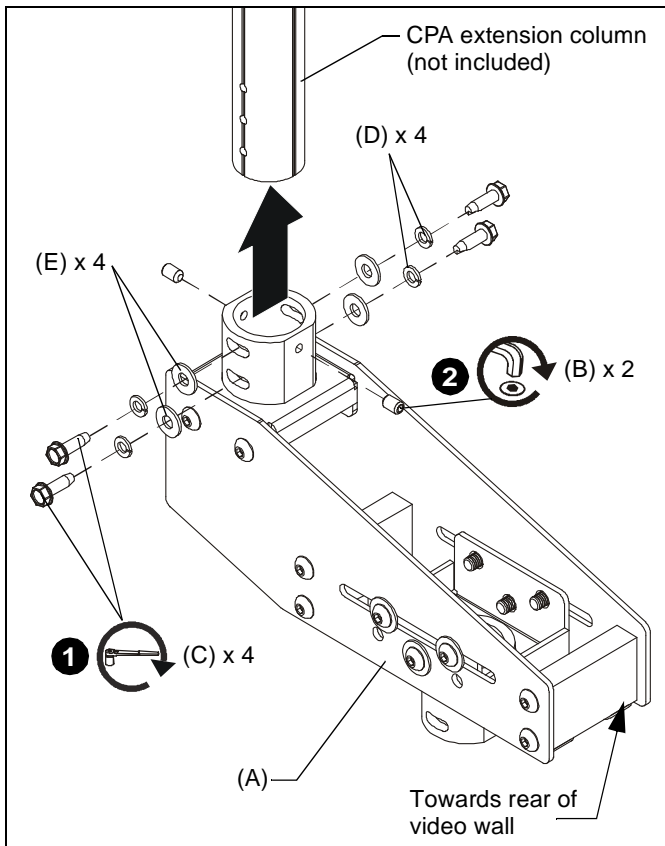


Figure 2

3. Attach ceiling heads to extension columns following installation instructions included in the **Fusion Modular Systems** installation manual.

Attaching Column Assembly to Array Offset

1. Arrange column assembly so that the open side of the ceiling head is facing the back of the menu board. (See Figure 3)
2. Loosely fasten column assembly to array offset (A) using four 5/16" x 1" hex head self-tapping screws (C), four 5/16" split washers (D), and four 5/16" washers (E). (See Figure 3)

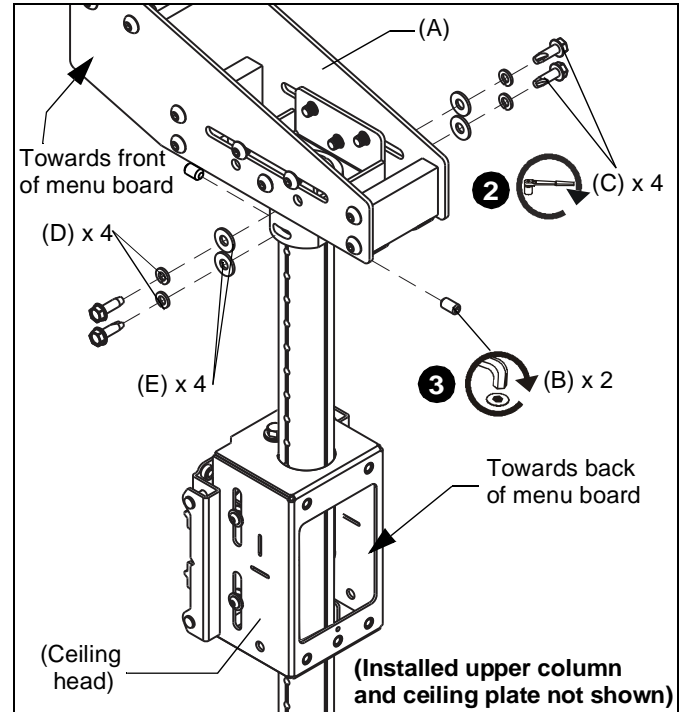


Figure 3

3. Add two 5/16-18 x 1/2" set screws (B) to lower end of array offset (A).



Our Mounts. **Your Vision.**

Chief, a products division of
Milestone AV Technologies

8800-002855 Rev00
©2016 Milestone AV Technologies
www.milestone.com
06/16

USA/International	A 6436 City West Parkway, Eden Prairie, MN 55344 P 800.582.6480 / 952.225.6000 F 877.894.6918 / 952.894.6918
Europe	A Franklinstraat 14, 6003 DK Weert, Netherlands P +31 (0) 495 580 852 F +31 (0) 495 580 845
Asia Pacific	A Office No. 918 on 9/F, Shatin Galleria 18-24 Shan Mei Street Fotan, Shatin, Hong Kong P 852 2145 4099 F 852 2145 4477

