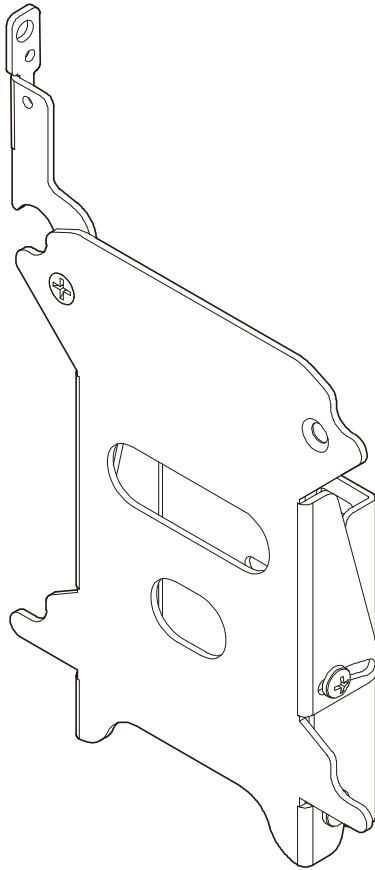

INSTALLATION INSTRUCTIONS



Small Flat Panel Tilt Wall Mount

DISCLAIMER

Milestone AV Technologies and its affiliated corporations and subsidiaries (collectively "Milestone"), intend to make this manual accurate and complete. However, Milestone makes no claim that the information contained herein covers all details, conditions or variations, nor does it provide for every possible contingency in connection with the installation or use of this product. The information contained in this document is subject to change without notice or obligation of any kind. Milestone makes no representation of warranty, expressed or implied, regarding the information contained herein. Milestone assumes no responsibility for accuracy, completeness or sufficiency of the information contained in this document.

Chief® is a registered trademark of Milestone AV Technologies. All rights reserved.

! IMPORTANT WARNINGS AND CAUTIONS!

! WARNING: A WARNING alerts you to the possibility of serious injury or death if you do not follow the instructions.

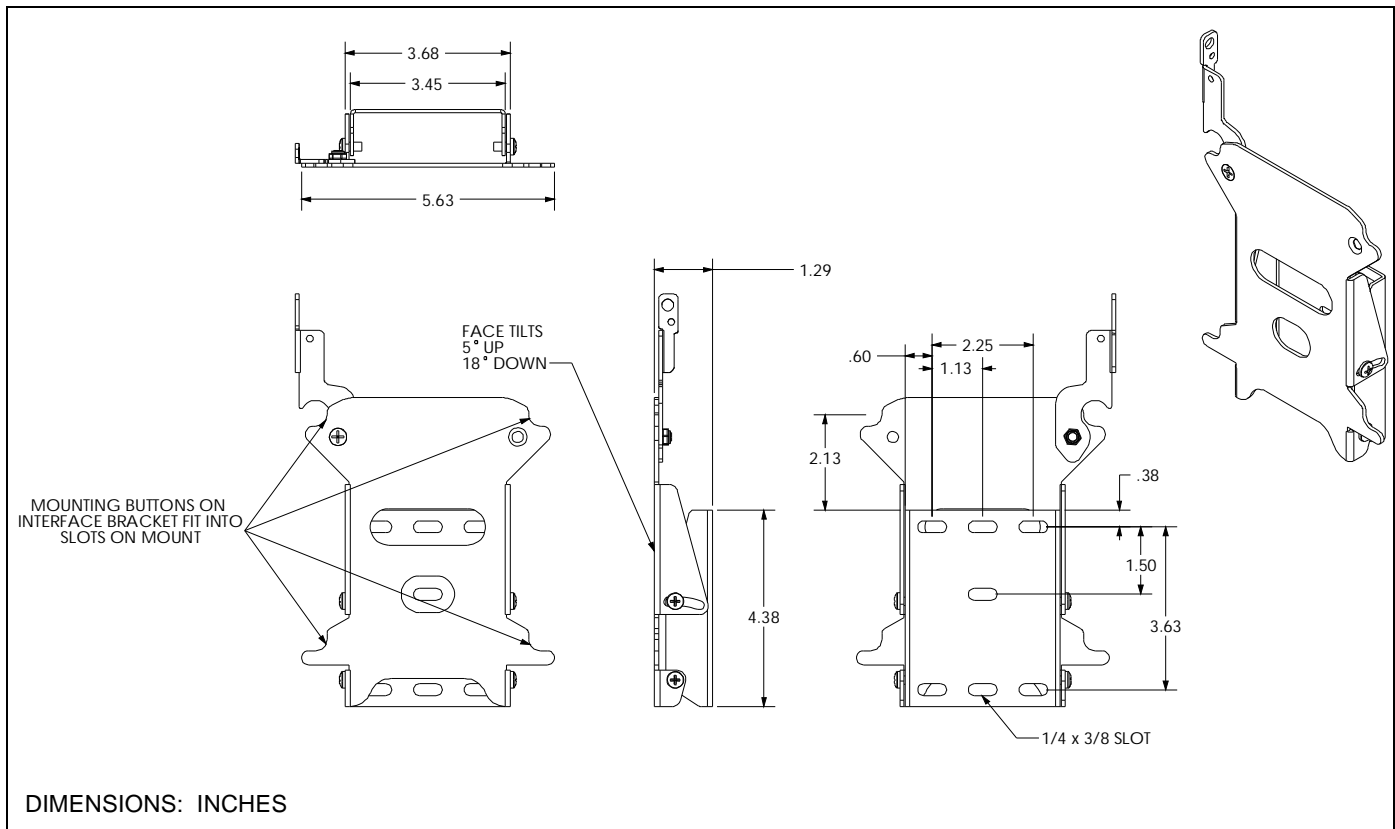
! CAUTION: A CAUTION alerts you to the possibility of damage or destruction of equipment if you do not follow the corresponding instructions.

! WARNING: Failure to read, thoroughly understand, and follow all instructions can result in serious personal injury, damage to equipment, or voiding of factory warranty! It is the installer's responsibility to make sure all components are properly assembled and installed using the instructions provided.

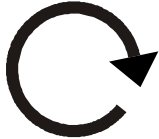

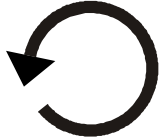


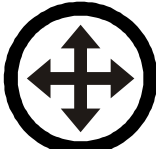
! WARNING: Failure to provide adequate structural strength for this component can result in serious personal injury or damage to equipment! It is the installer's responsibility to make sure the structure to which this component is attached can support five times the combined weight of all equipment. Reinforce the structure as required before installing the component. The wall to which the mount is being attached may have a maximum drywall thickness of 5/8" (1.6cm). Do not install drywall anchors into the seam between drywall pieces.

! WARNING: Exceeding the weight capacity can result in serious personal injury or damage to equipment! It is the installer's responsibility to make sure the combined weight of all components attached to the mount does not exceed 45 lbs (20.4 kg) for wood stud installation **OR** 30 lbs (13.6 kg) for drywall installation. Use with products heavier than the maximum weight indicated may result in collapse of the mount and its accessories causing possible injury.

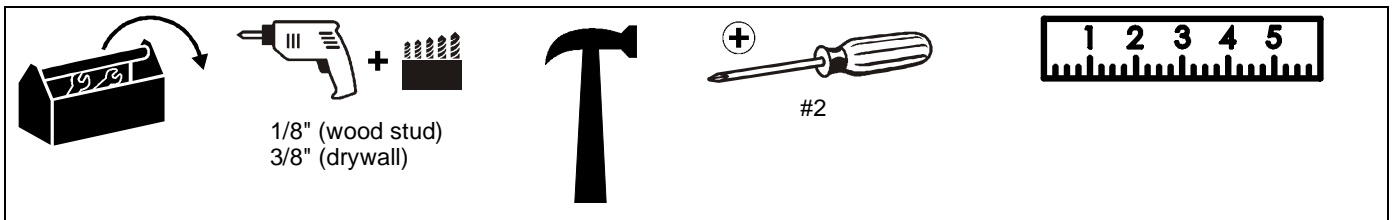
DIMENSIONS



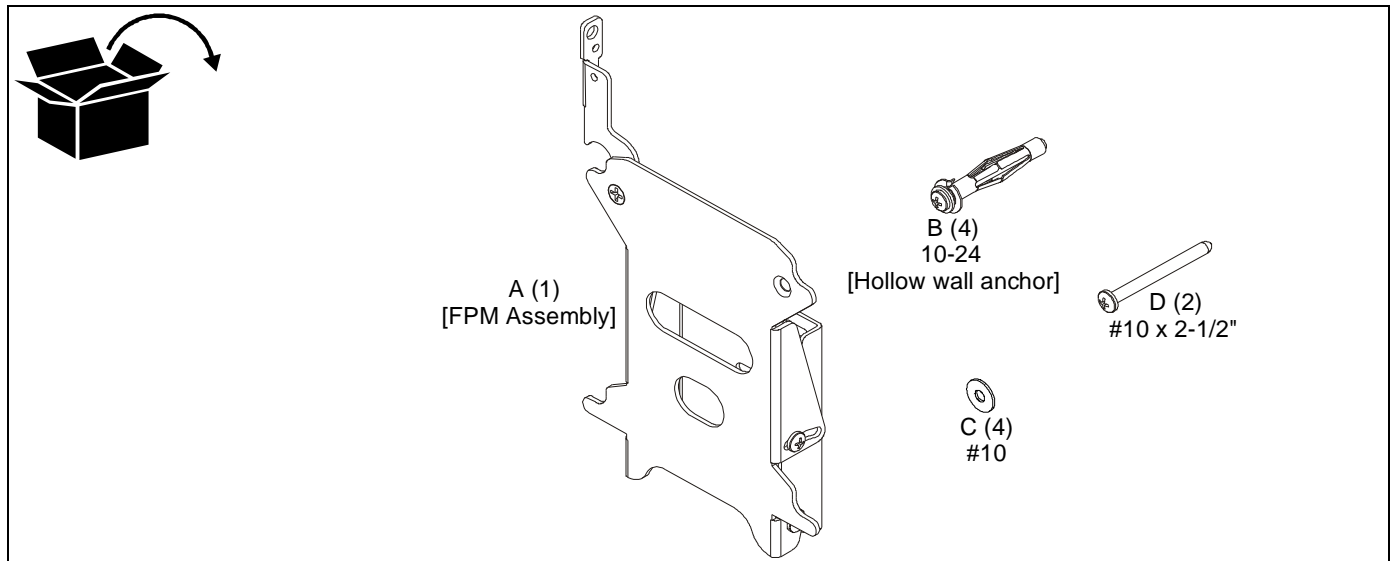
LEGEND

	Tighten Fastener		Pencil Mark
	Apretar elemento de fijación		Marcar con lápiz
	Befestigungsteil festziehen		Stiftmarkierung
	Apertar fixador		Marcar com lápis
	Serrare il fissaggio		Segno a matita
	Bevestiging vastdraaien		Potloodmerkten
Serrez les fixations	Marquage au crayon		
	Loosen Fastener		Drill Hole
	Aflojar elemento de fijación		Perforar
	Befestigungsteil lösen		Bohrloch
	Desapertar fixador		Fazer furo
	Allentare il fissaggio		Praticare un foro
	Bevestiging losdraaien		Gat boren
Desserrez les fixations	Percez un trou		
	Phillips Screwdriver		Adjust
	Destornillador Phillips		Ajustar
	Kreuzschlitzschraubendreher		Einstellen
	Chave de fendas Phillips		Ajustar
	Cacciavite a stella		Regolare
	Kruiskopschroevendraaier		Afstellen
Tournevis à pointe cruciforme	Ajuster		

TOOLS REQUIRED FOR INSTALLATION



PARTS



INSTALLATION

The FPM may be installed on either a single 2" x 4" wood stud, or on drywall (1/2" minimum thickness). The FPM allows a tilt range from 5° up to 18° down.

NOTE: The latching flag may be moved, if necessary. (See Figure 1)

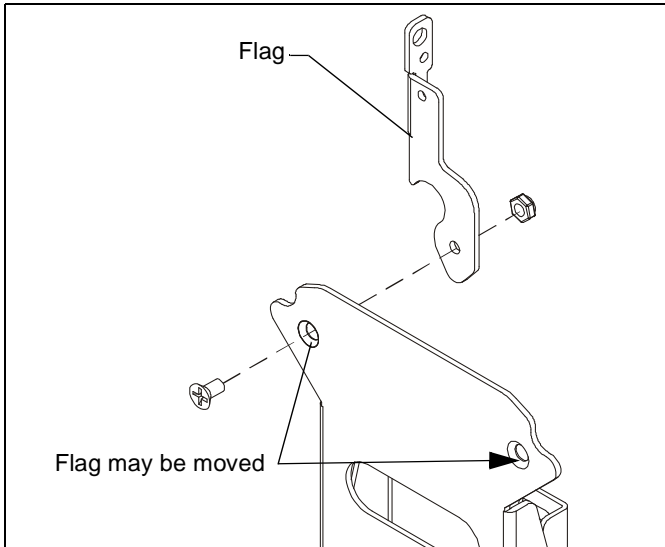


Figure 1

Install Mount to Single Wood Stud

1. Determine approximate mounting location, keeping in mind the display size.
2. Use a stud sensor to locate applicable wood stud. Mark location with a pencil.
3. Level FPM assembly (A) at desired height and, using it as a template, mark the location of upper and lower pilot holes. Ensure marks are in the center of wood stud.

NOTE: Mount can provide $\pm 1/2"$ of lateral shift by using mount holes on either side of vertical center line.



WARNING: ELECTRICAL SHOCK HAZARD! Drilling into electrical wires or cables can cause DEATH or SERIOUS PERSONAL INJURY! ALWAYS make certain area behind mounting surfaces is free of electrical wires and cables before drilling or installing mount fasteners.

4. Drill 1/8" pilot holes. Ensure pilot holes are straight.
5. Fasten FPM to wood stud using two #10 x 2-1/2" Phillips head screws (D) through two #10 washers (C), FPM (A), and drywall (not shown) and install into pilot holes. (See Figure 2)

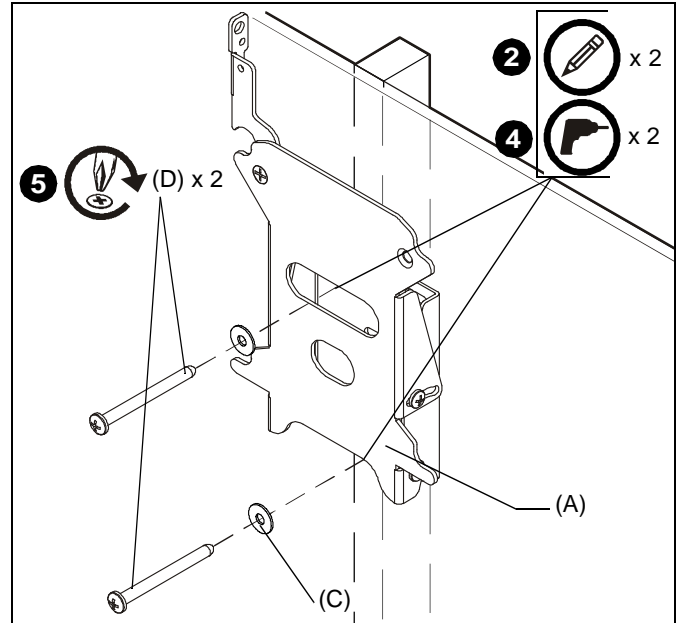


Figure 2

Install Mount to Drywall



WARNING: Drywall must be a minimum thickness of 1/2" and a maximum thickness of 5/8". Do not install drywall anchors into the seam between drywall pieces.

1. Determine approximate mounting location, keeping in mind the display size.
2. Level FPM assembly (A) at desired height and, using it as a template, mark the location of the four anchor holes (one in each corner slot).



WARNING: ELECTRICAL SHOCK HAZARD! Drilling into electrical wires or cables can cause DEATH or SERIOUS PERSONAL INJURY! ALWAYS make certain area behind mounting surfaces is free of electrical wires and cables before drilling or installing mount fasteners.

3. Drill 3/8" anchor holes. Ensure holes are straight and completely through drywall. (See Figure 3)

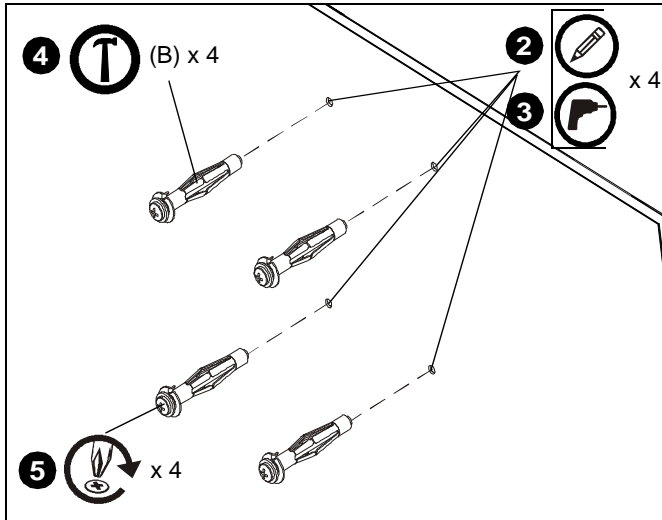


Figure 3

4. Gently tap anchor (B) into anchor hole. Anchor barbs should be fully engaged in drywall (See Figure 4).

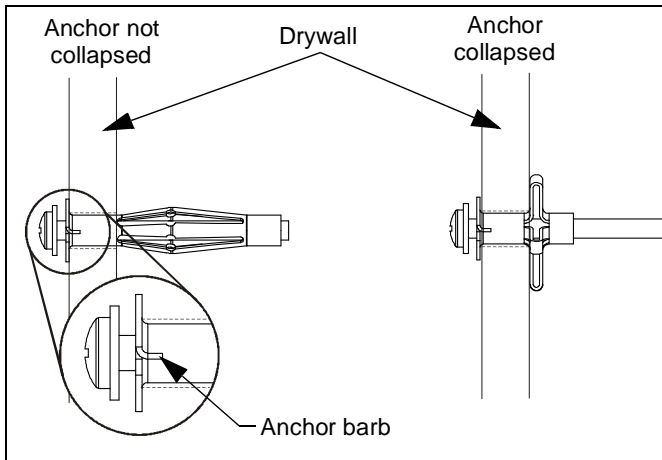


Figure 4

5. Using Phillips screwdriver, tighten anchor screw until anchor has fully collapsed against back side of drywall. (See Figure 3) and (See Figure 4)

NOTE: Anchor screw will feel tight until anchor begins to collapse. Screw will then turn easier for many turns. Screw will feel tight when anchor has fully collapsed.

6. Repeat Steps 4 and 5 for remaining anchors.
7. Remove and retain anchor screws from anchors (B).

NOTE: Anchors (B) may come with small washers which may be left on the screw or discarded. These small washers do NOT replace washers (C).

8. Insert anchor screws through washers (C), FPM (A) and install into collapsed anchors (B). Tighten until secure. (See Figure 5)

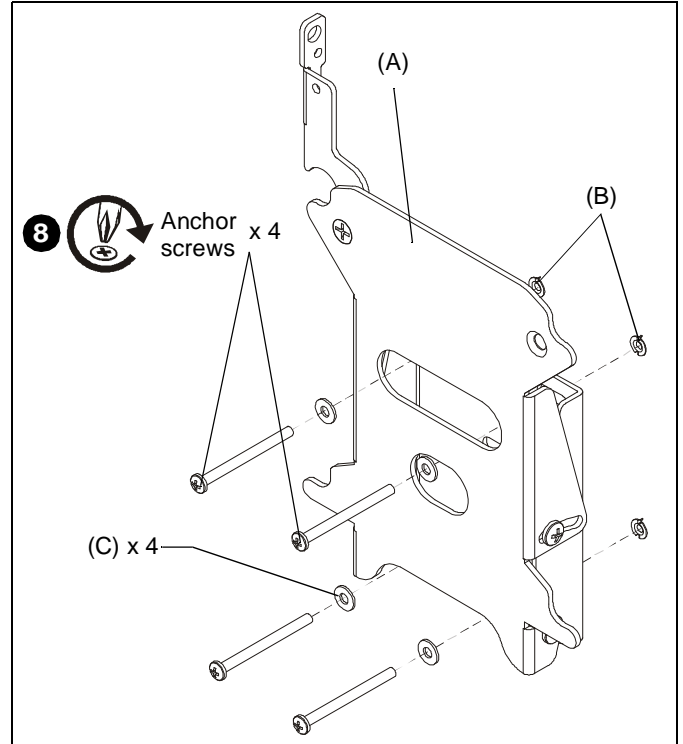


Figure 5

Install Display to Mount

NOTE: Proper interface must be attached to display. Follow instructions included with interface assembly.

1. Open latching flag by rotating flag clockwise on FPM (A). (See Figure 6)

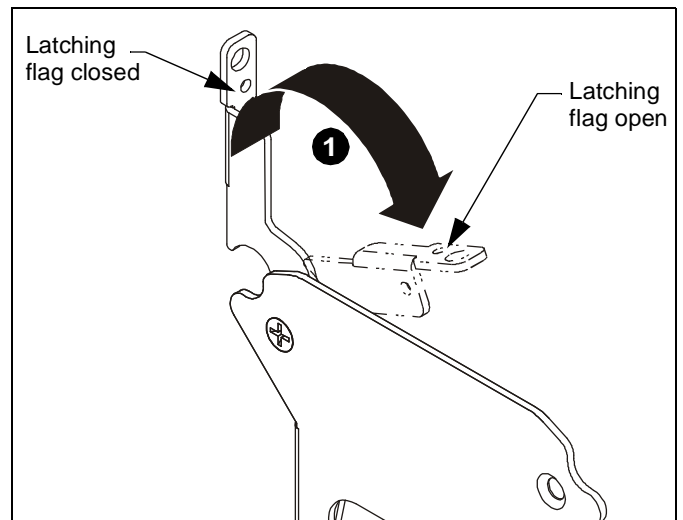


Figure 6

2. Lift and maneuver display such that all mounting buttons fit into openings on FPM (A). (See Figure 7)
3. Lower display firmly into place. Ensure each mounting button has fully seated in the opening (See Figure 7)
4. Close latching flag by rotating flag counterclockwise on FPM (A). (See Figure 7)

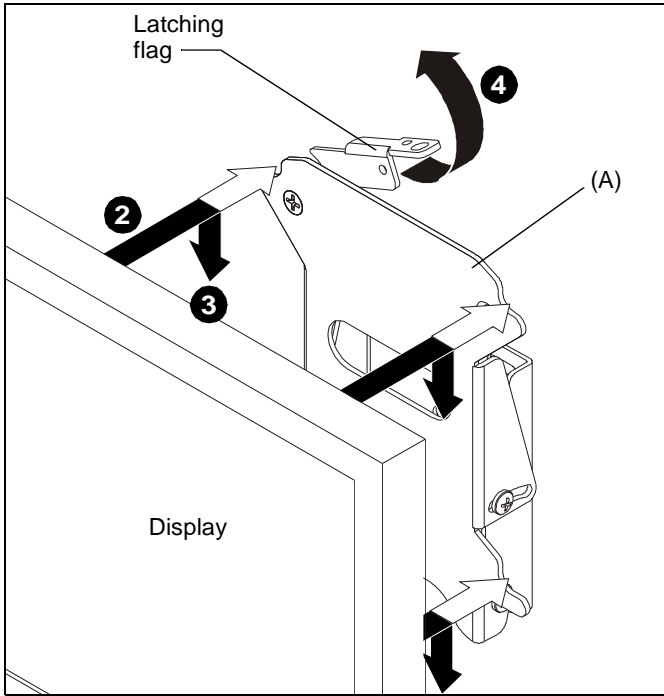


Figure 7

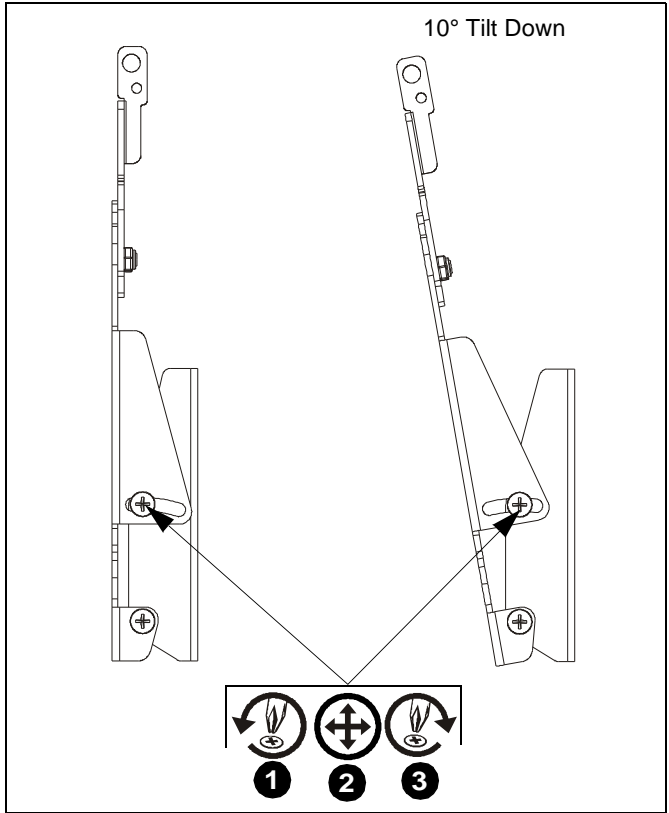


Figure 8

Adjusting Tilt

1. Loosen adjusting screws on each side of display (See Figure 8).
2. Adjust tilt as desired.
3. Retighten adjusting screws.



Our Mounts. **Your Vision.**

Chief Manufacturing, a products division
of Milestone AV Technologies

8803-000034 RevD
©2011 Milestone AV Technologies, a
Duchossois Group Company
www.chiefmfg.com
09/11

USA/International

A 8401 Eagle Creek Parkway, Savage, MN 55378

P 800.582.6480 / 952.894.6280

F 877.894.6918 / 952.894.6918

Europe

A Fellenoord 130 5611 ZB EINDHOVEN, The Netherlands

P +31 (0)40 2668620

F +31 (0)40 2668615

Asia Pacific

A Office No. 1 on 12/F, Shatin Galleria
18-24 Shan Mei Street

Fotan, Shatin, Hong Kong

P 852 2145 4099

F 852 2145 4477

