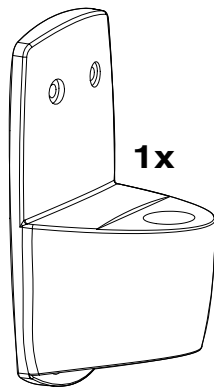
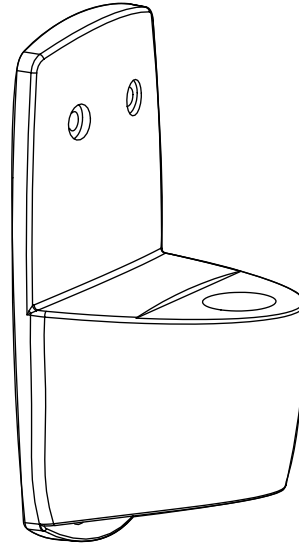






INSTALLATION MANUAL

Model FSA-015 Vertical Wall Bracket




1x  5/16"-18 x 4"

NOTE: All Fasteners listed here are supplied with your Extension or Arm.

1x  Mounting Pin


1x  Thrust Washer

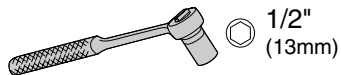
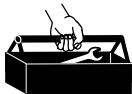
1x  Small Plastic Washer

1x  Spring Washer

1x  Spring Washer

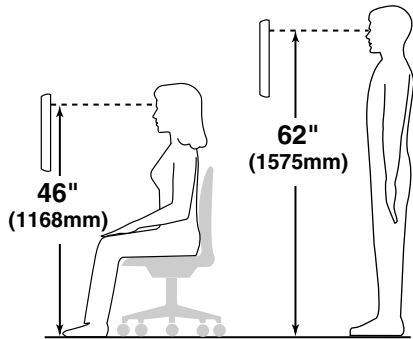
1x  Plastic Washer

1x  5/16"-18

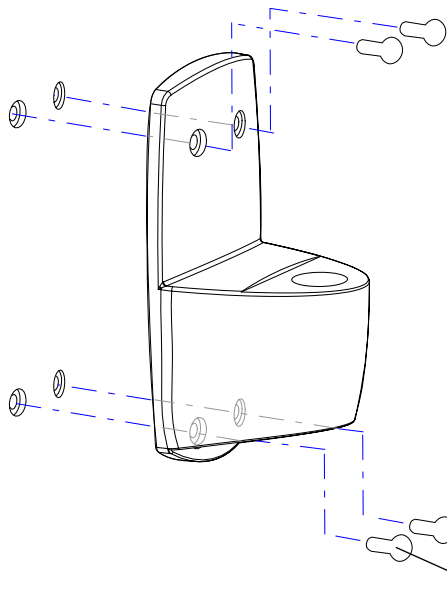


1

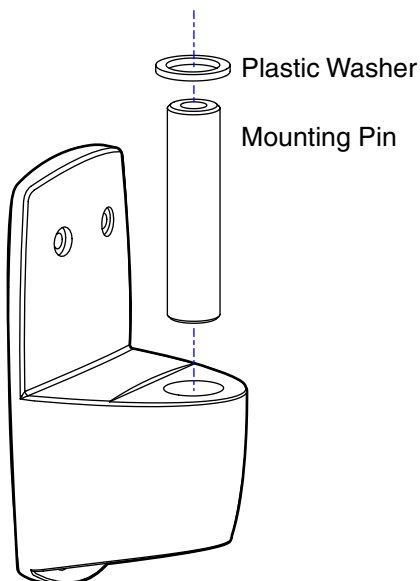
ERGONOMIC EYE HEIGHT RECOMMENDATIONS



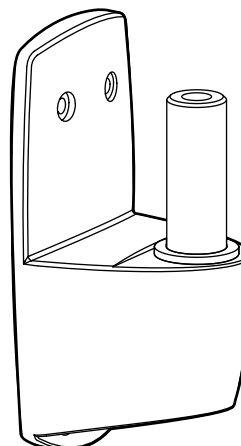
	Eye Height		Center of Operating Range
	Standing	Sitting	
Average Female	59" (1509 mm)	44" (1118 mm)	54" (1377 mm)
Average Person	62" (1567 mm)	46" (1171 mm)	54" (1377 mm)
Average Male	64" (1636 mm)	48" (1232 mm)	54" (1377 mm)

2

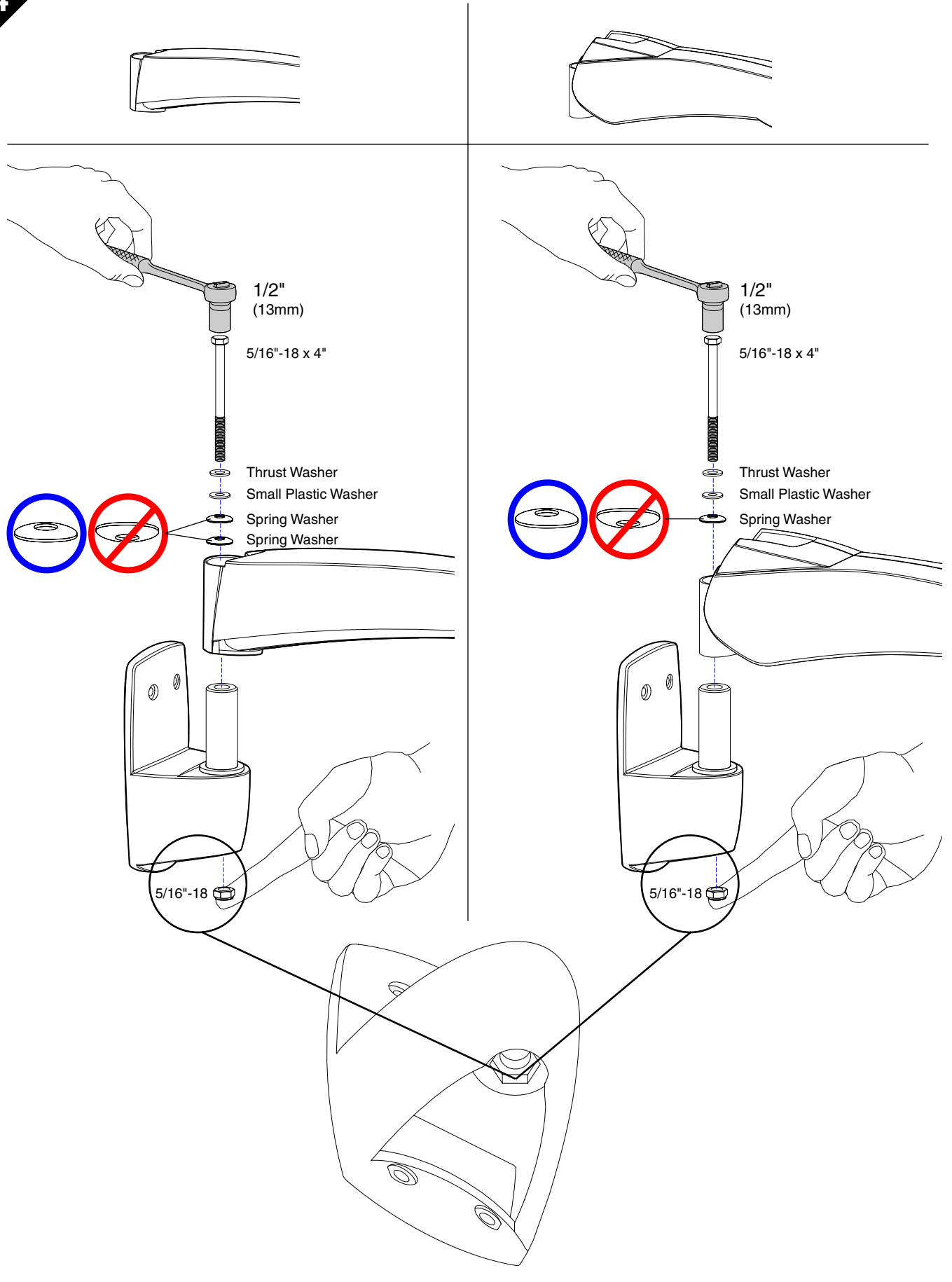
The 6" Pivot Wall Mount must be securely attached to the vertical surface. Because construction varies widely and your ultimate mounting method is out of Chief Manufacturing's control, it is imperative that you consult with appropriate local engineering, architectural, or construction personnel to ensure that the Wall Bracket is mounted properly to handle applied loads.

3

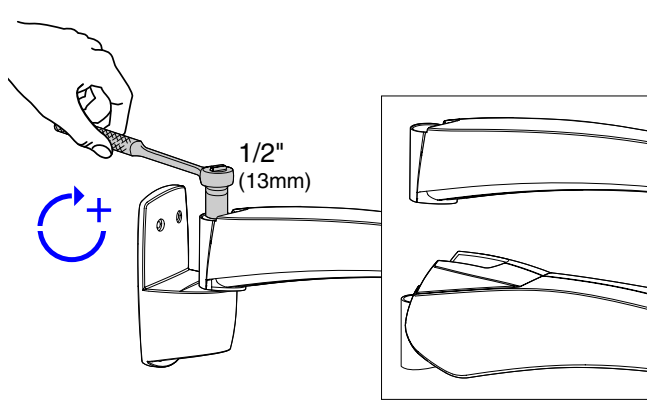
3a



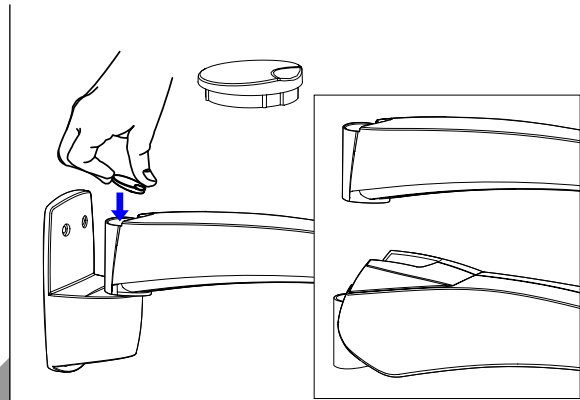
3b



5



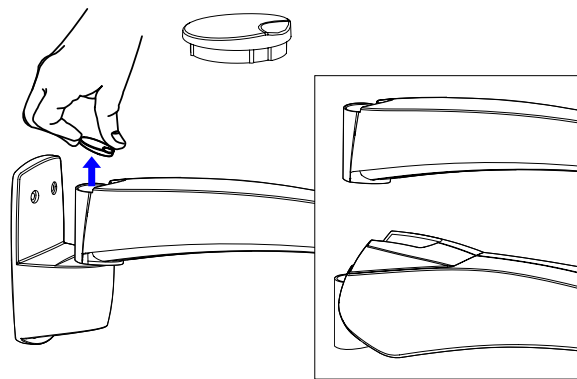
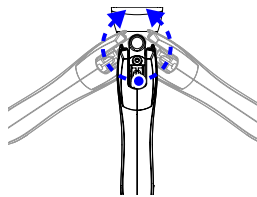
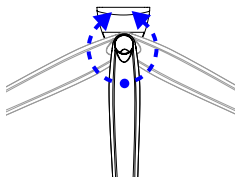
5a



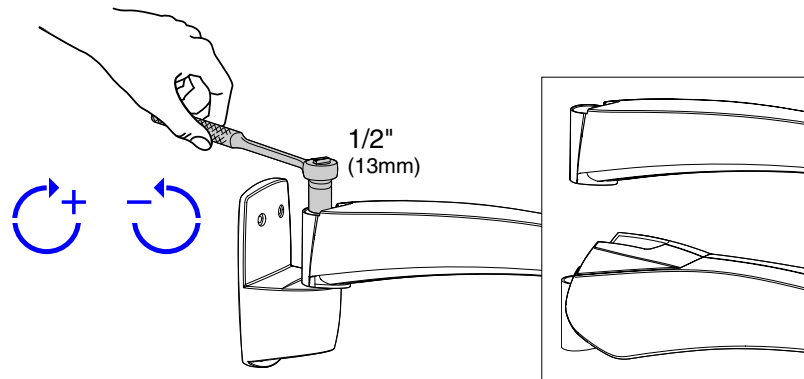
5b



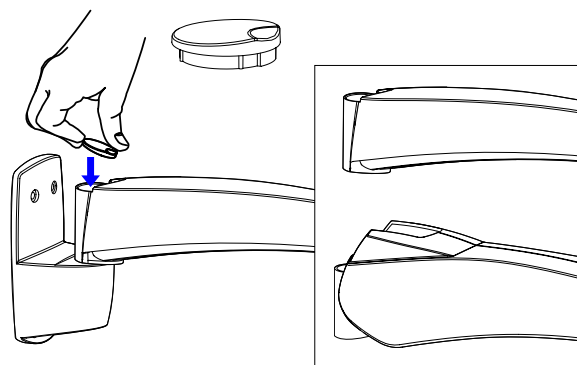
ADJUSTMENT



a1

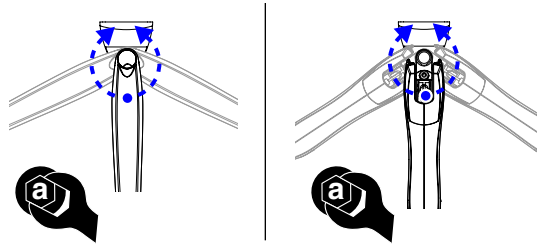


a2



a3

? TROUBLE SHOOTING

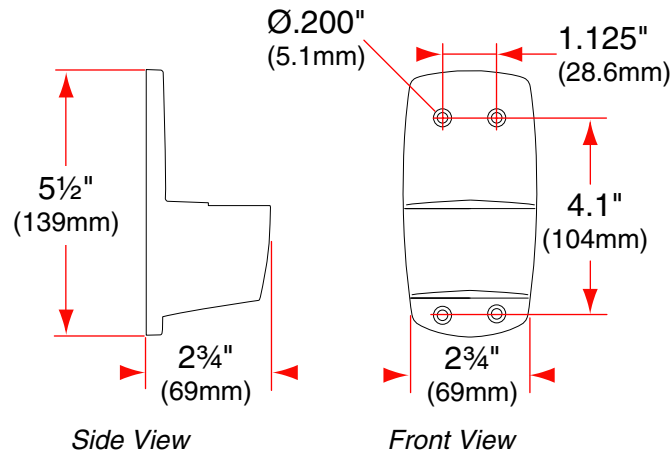


Symptom	Probable Cause	Solution
Extension or Arm pivots side-to-side too difficult or too easy	Improper Pivot tension	

SPECIFICATIONS

Part Number	Description	Net Weight	Shipping Weight
FSA-015	Vertical Wall Bracket	.5 lb (.23kg)	2 lbs (1kg)

DIMENSIONS



REPLACEMENT PARTS

Contact your Chief Manufacturing representative for details



Chief Manufacturing Inc.
12800 Hwy 13 S., Ste. 500
Savage, MN 55378 USA

Phone: 1-800-582-6480
Fax: 1-877-894-6918
www.chiefmfg.com