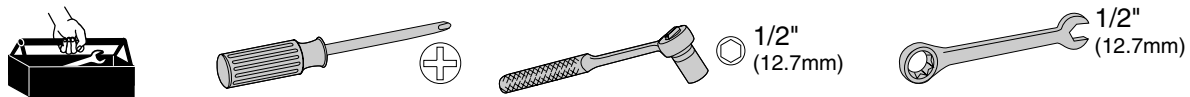
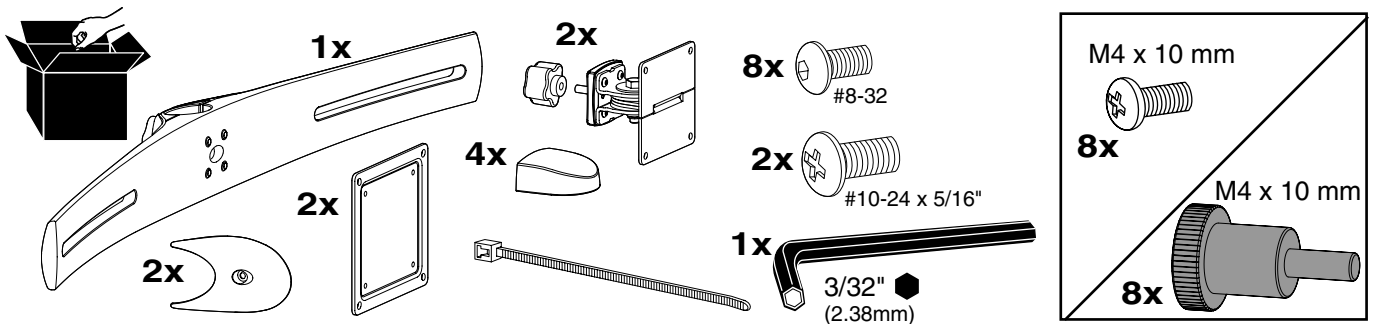
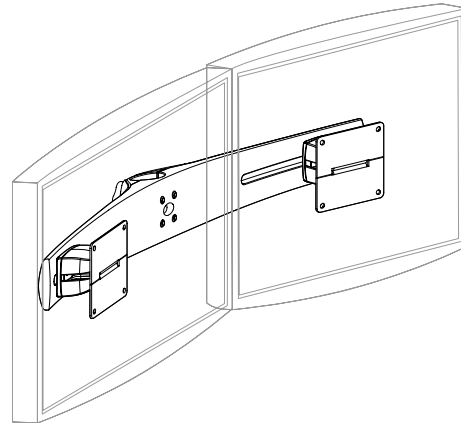


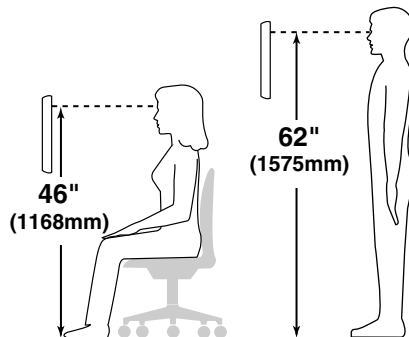


INSTALLATION MANUAL

Model FSA-035 Horizontal Bracket

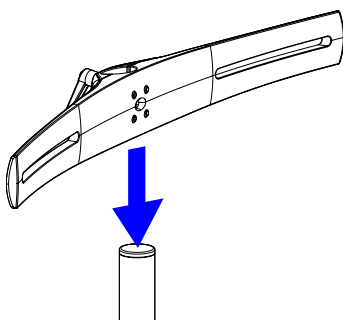


1 ERGONOMIC EYE HEIGHT RECOMMENDATIONS

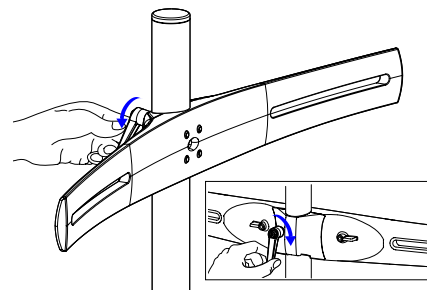


	Eye Height		Center of Operating Range
	Standing	Sitting	
Average Female	59" (1509 mm)	44" (1118 mm)	54" (1377 mm)
Average Person	62" (1567 mm)	46" (1171 mm)	54" (1377 mm)
Average Male	64" (1636 mm)	48" (1232 mm)	54" (1377 mm)

2



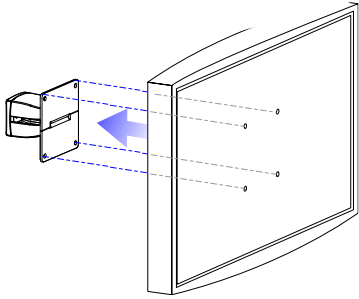
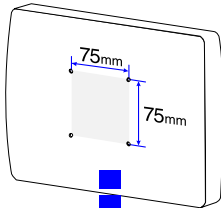
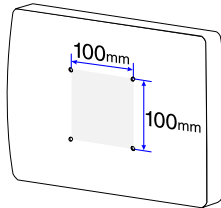
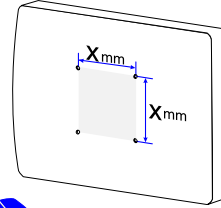
2a



2b

3

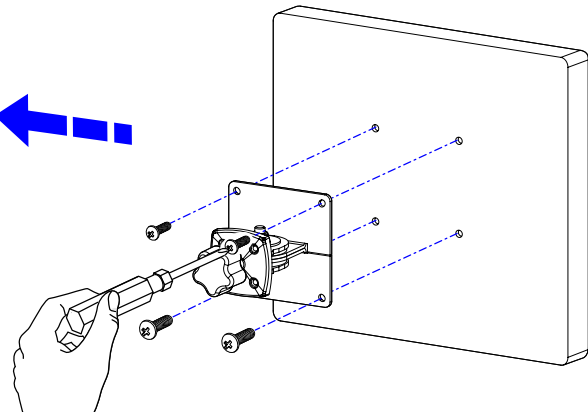
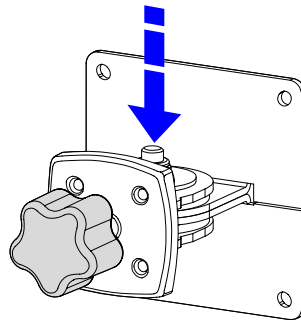
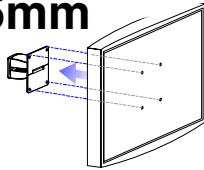
1

**75mm****100mm****Xmm**

Contact Chief Manufacturing

3

1

75mm

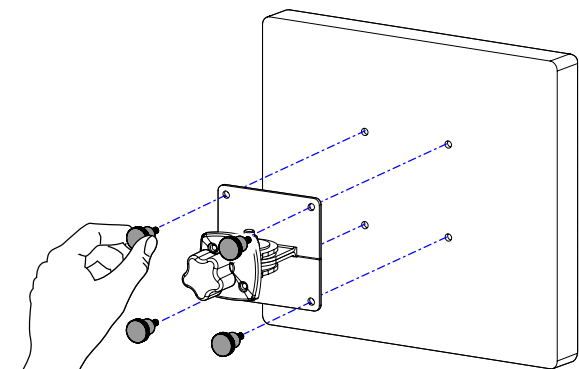
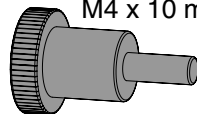
If your monitor uses a screw size other than M4 x 10mm, DO NOT use the M4 x 10mm screws or knob provided as they could result in damage to the monitor.

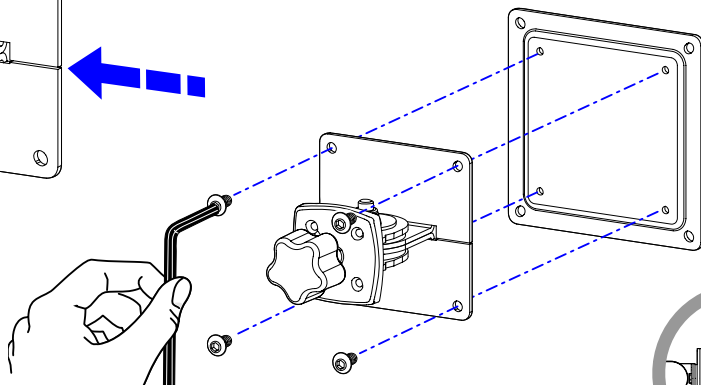
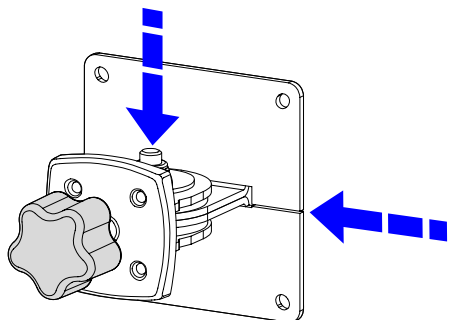
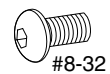
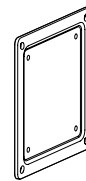
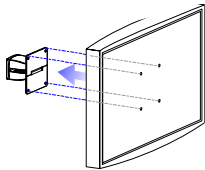
Indien uw monitor voorzien is van een ander type schroef dan de M4 X 10 mm, gebruik dan beslist niet de door Ergotron geleverde M4 X 10mm schroeven of schroefknoppen, want deze kunnen de monitor beschadigen.

M4 x 10 mm

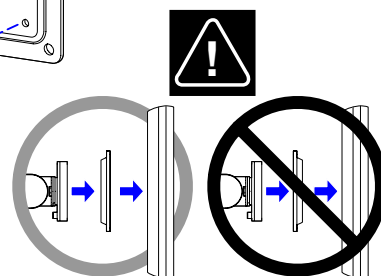


M4 x 10 mm



3**1****100mm**

3/32" 
(2.38mm)

**3a**

If your monitor uses a screw size other than M4 x 10mm, DO NOT use the M4 x 10mm screws or knob provided as they could result in damage to the monitor.

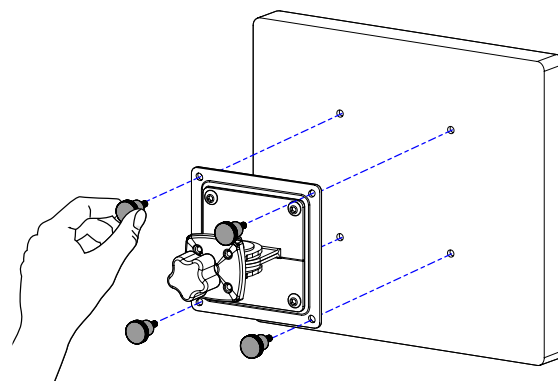
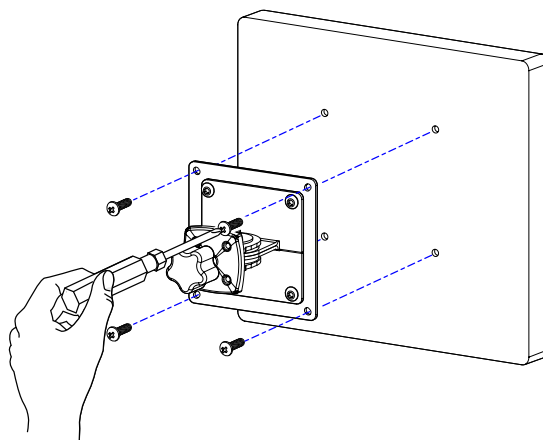
Indien uw monitor voorzien is van een ander type schroef dan de M4 X 10 mm, gebruik dan beslist niet de door Ergotron geleverde M4 X 10mm schroeven of schroefknoppen, want deze kunnen de monitor beschadigen.

M4 x 10 mm

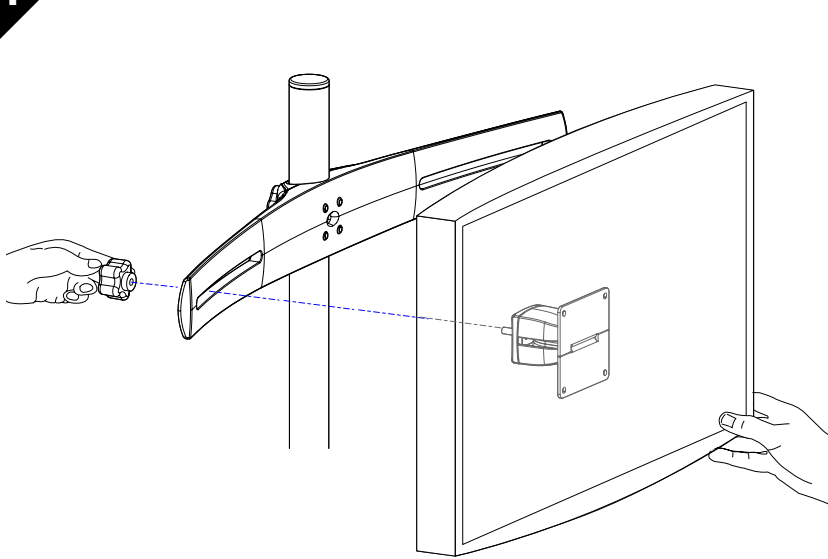
4x 

10 mm

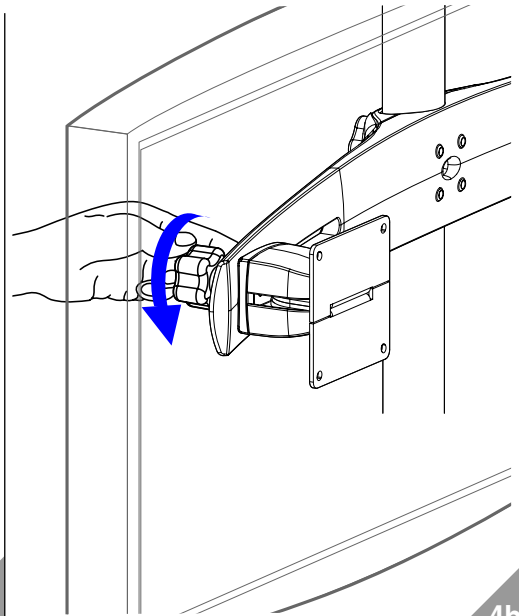
4x 

**3b**

4

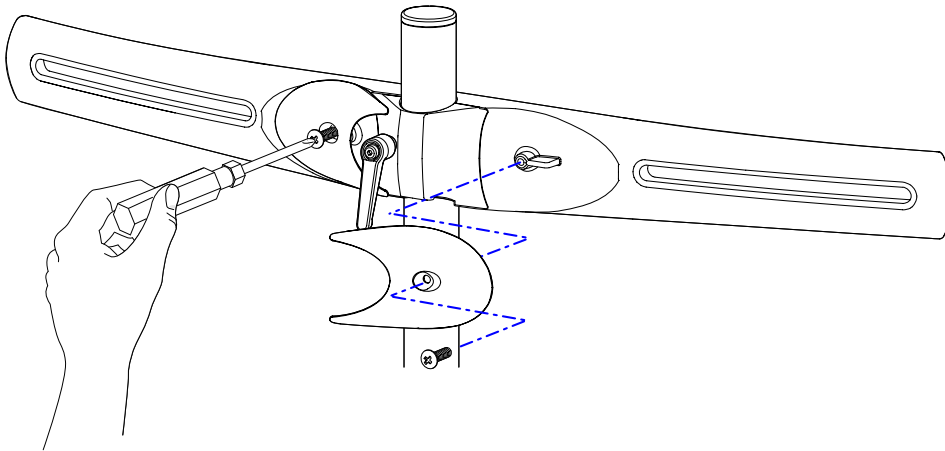



4a

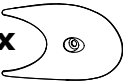


4b

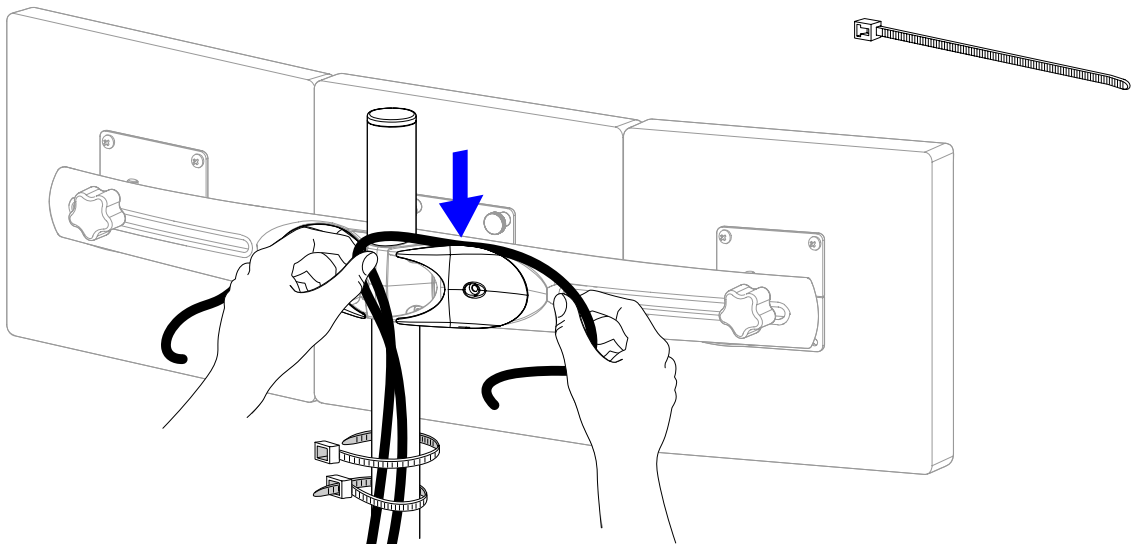
5



2x  #10-24 x 5/16"

2x 

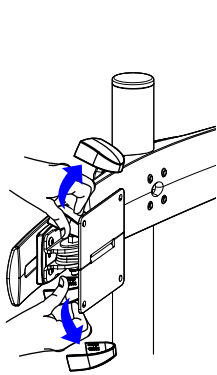
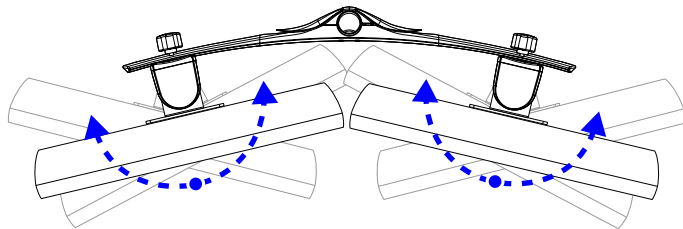
5a



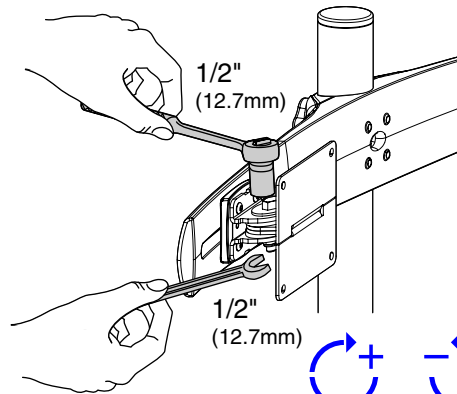
5b

OVERVIEW

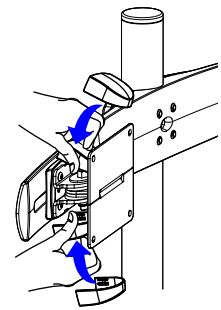
The Monitor Pivots are factory-set to provide positive pivot control and a smooth moving force throughout the entire pivot range of motion. To customize your installation, you will evaluate the operation of each Pivot function by moving the monitor through its full range of movement. If excessive force is required to pivot the monitor or if the monitor does not stay in the desired position, pivot adjustment is required. Adjust for a controlled motion of the monitor over the entire range of travel.



a1

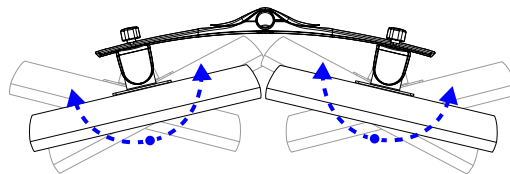


a2



a3

? TROUBLE SHOOTING



Symptom

Monitor pivots side-to-side too difficult or too easy

Probable Cause

Improper Pivot tension

Solution



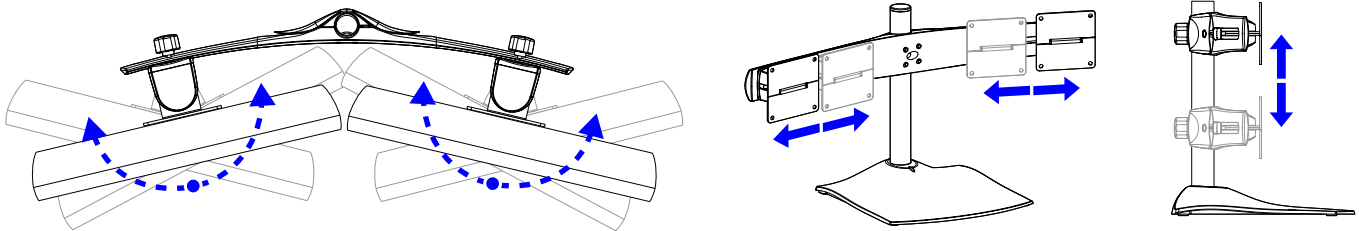
Adjust Pivots

SPECIFICATIONS

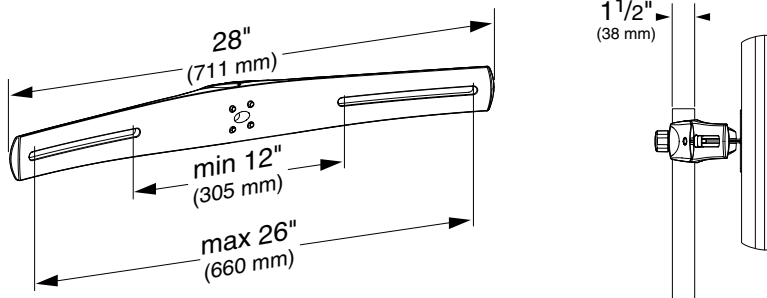
Part Number	Description	Weight Capacity	Net Weight	Shipping Weight
FSA-035	Horizontal Bracket	23 lbs (10kg) per pivot	11 lbs (5kg)	13 lbs (6kg)

* Generally (although there are many variables), the weight capacity is a function of the center of gravity (CG) of the monitor relative to the Pivot Mounting Pad. 23 lbs (10.45 kgs) is based on the CG not exceeding 1" (24.5mm) from the Pivot Mounting pad. For every 1" additional distance between the CG of the monitor and the Pivot Mounting Pad reduce the capacity by 3.5 lbs (1.59 kgs).

RANGE OF MOTION



DIMENSIONS



REPLACEMENT PARTS

Contact your Chief Manufacturing representative for details



Chief Manufacturing Inc.
12800 Hwy 13 S., Ste. 500
Savage, MN 55378 USA

Phone: 1-800-582-6480
Fax: 1-877-894-6918
www.chiefmfg.com