



INSTALLATION INSTRUCTIONS

FSA-1008 and KFSA-1008

EXTENDED DESK CLAMP BRACKET ACCESSORY

Prior to assembly, unpack carton completely and verify contents.
If you are missing any of the following components, please contact Customer Service at 1-800/582-6480.



Figure 1

(1) Extended Desk Clamp Bracket

BEFORE PROCEEDING, READ INSTALLATION INSTRUCTIONS COMPLETELY

CAUTION!

FLAT PANEL DISPLAYS ARE EXTREMELY FRAGILE.

1. Using 3/16" and 3/32" hex keys (From Desk Clamp Kit), remove the components as shown in Figure 2.
2. Attach Extended Desk Clamp Bracket, as shown in Figure 3.
3. Reassemble base, as shown in figure 4.

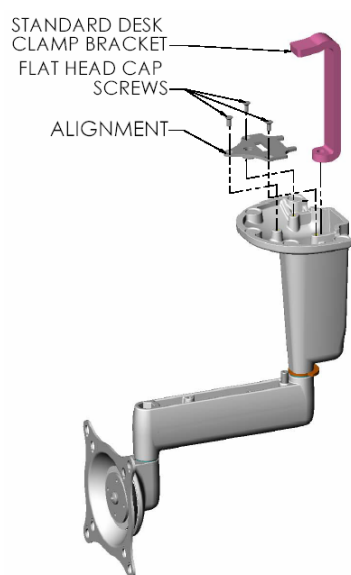


Figure 2

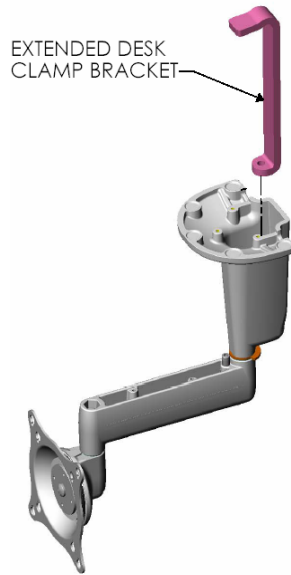


Figure 3

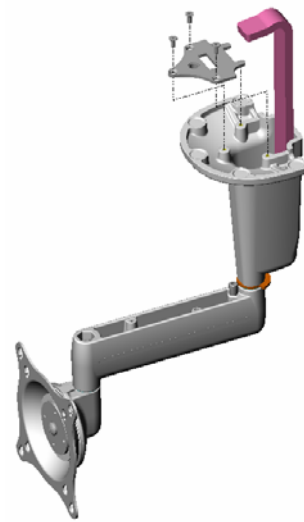


Figure 4