

---

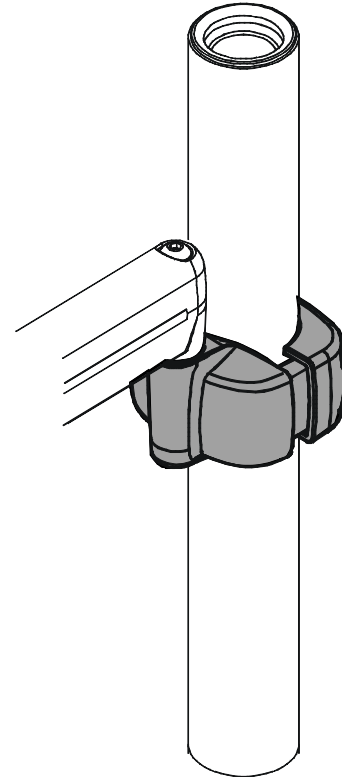
# INSTALLATION INSTRUCTIONS

---

## Pole Clamp Accessory

### Model: FSA-1017

The FSA-1017 Pole Clamp Accessory is used to provide a means for attaching a desktop or wall mount to a 1-1/2" to 2" pole.



---

#### BEFORE YOU BEGIN

---

##### **⚠ CAUTION!**

To prevent damage to the Kit, which could affect or void the Factory warranty, and to the equipment that will be attached to it, thoroughly study all instructions and illustrations before you begin the installation.

##### **⚠ WARNING!**

Exceeding the weight capacity can result in serious personal injury or damage to equipment! It is the installer's responsibility to make sure the combined weight of all components attached to the FSA1017 does not exceed 40 lbs (18.1 kg).

- If you have any questions about this installation, contact Chief Manufacturing.

Chief® is a registered trademark of Milestone AV Technologies. All rights reserved.

Milestone AV Technologies, and its affiliated corporations and subsidiaries (collectively, "Milestone"), intend to make this manual accurate and complete. However, Milestone makes no claim that the information contained herein covers all details, conditions or variations, nor does it provide for every possible contingency in connection with the installation or use of this product. The information contained in this document is subject to change without notice or obligation of any kind. Milestone makes no representation of warranty, expressed or implied, regarding the information contained herein. Milestone assumes no responsibility for accuracy, completeness or sufficiency of the information contained in this document.



Our Mounts. **Your Vision.**

Chief Manufacturing,  
a products division of Milestone AV Technologies  
8401 Eagle Creek Parkway, Savage, MN 55378

• P: 800.582.6480 / 952.894.6280 • F: 877.894.6918 / 952.894.6918

8807-000042 Rev01  
©2009 Milestone AV Technologies,  
a Duchossois Group Company  
[www.chiefmfg.com](http://www.chiefmfg.com)

10/09

---

**INTRODUCTION**

**TOOLS REQUIRED FOR INSTALLATION**

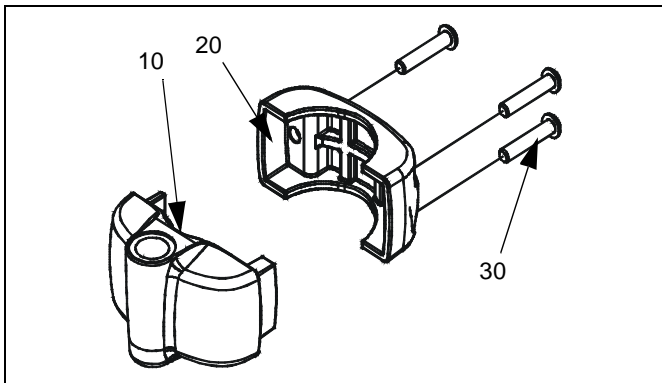
- 5/32" Hex Key (provided)

**INSPECT MOUNT BEFORE ASSEMBLY**

Carefully inspect components for shipping damage . If damage is apparent, call your carrier claims agent and do not continue with installation until the carrier has reviewed the damage.(see Figure 1)

**Table 1: Parts**

Ref.	Description	QTY
10	CLAMP, Front, Pole Mount	1
20	CLAMP, Rear, Pole Mount	1
30	SCREW, Button Head Cap,	3
40	KEY, Hex, 5/32" (not shown)	1



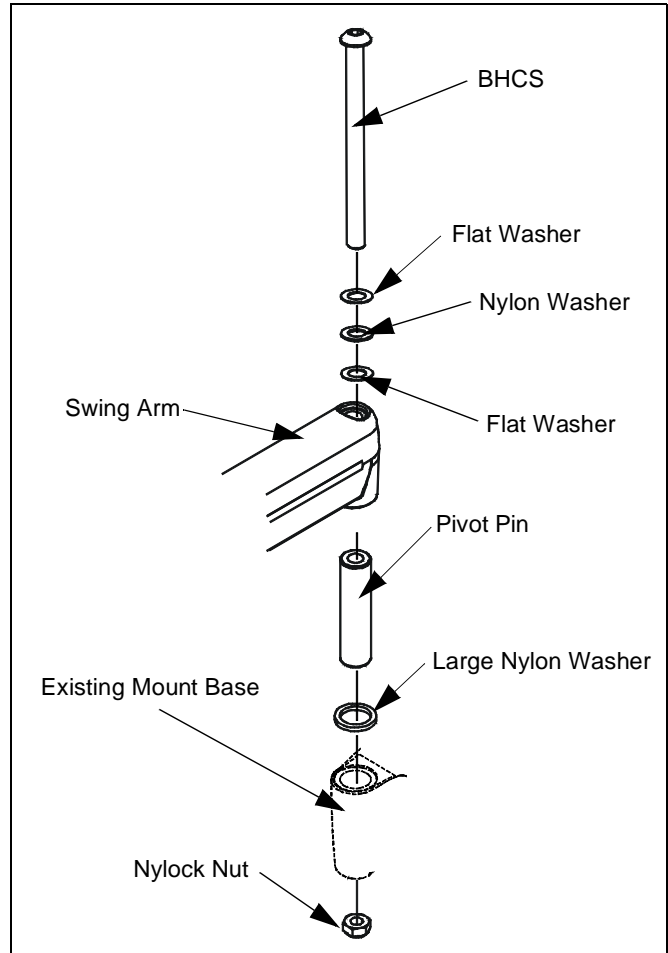
**Figure 1: PARTS**

**EXISTING MOUNT PREPARATION**

Prior to installing the FSA-Pole clamp, the existing mount has to be modified.

To prepare the existing mount:

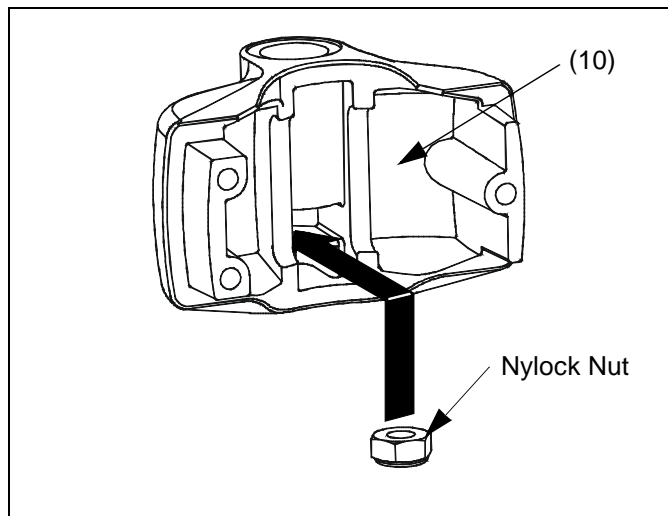
1. Remove display, if present, from existing mount following the instructions supplied with mount.
2. Loosen button head cap screw securing swing arm to base on existing mount using a 5/32" hex key (40). (see Figure 2)
3. Uninstall button head cap screw, one nylon washer, and two flat washers from swing arm and set aside for reuse. (see Figure 2)
4. Lift swing arm up and off of pivot pin and set aside for reuse. (see Figure 2)
5. Remove large nylon washer, pivot pin, and Nylock nut from existing mount base and set aside for reuse. (see Figure 2)



**Figure 2: Remove Mount from Existing Base**

**POLE CLAMP INSTALLATION**

1. Insert Nylock nut (previously set aside) crown down into front half of pole clamp. (see Figure 3)



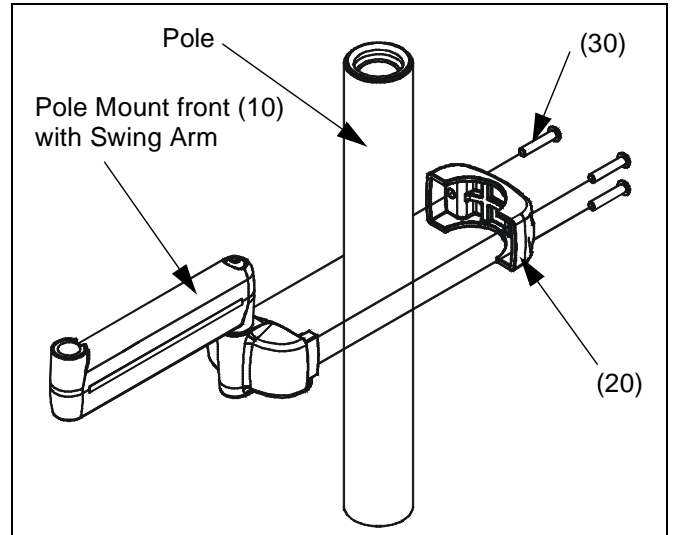
**Figure 3: Insert Nylock Nut**

**NOTE:** The following steps reuse hardware set aside during existing mount preparation.

2. Place large Nylon washer into seat in pole mount front. (see Figure 4)
3. Slide pivot pin through large nylon washer and down into pole mount front. (see Figure 4)
4. Slide swing arm assembly down onto top of pivot pin.
5. Assemble two flat washers and one nylon washer onto button head cap screw. (see Figure 4)
6. While holding Nylock nut, previously installed into pole mount front, slide button head cap screw with washers through swing arm and down into pole mount front until contact with Nylock nut is made.
7. Secure swing arm to pole mount front by screwing button head cap screw into nylock nut.

**NOTE:** It may be necessary to move Nylock nut slightly in order to allow button head cap screw to properly seat in nut and allow tightening.

10. Secure pole mount rear (20) to pole by tightening three BHCS (20) using 5/32" hex key.



**Figure 5: Mount FSA-1017 with Swing Arm on Pole**

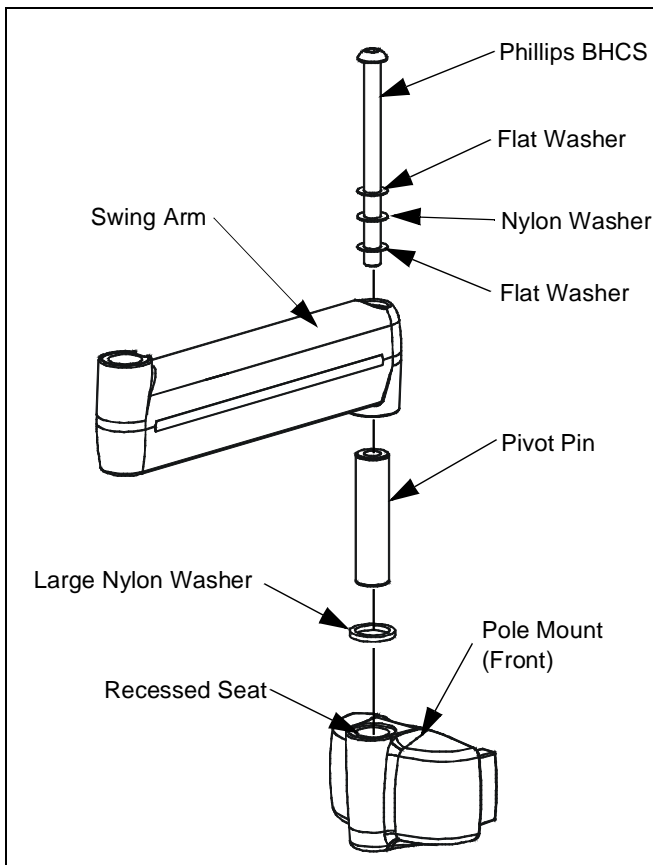
**ADJUSTMENTS**

The FSA-1017 allows for both vertical and horizontal position adjustment on pole.

To adjust FSA-1017 position:

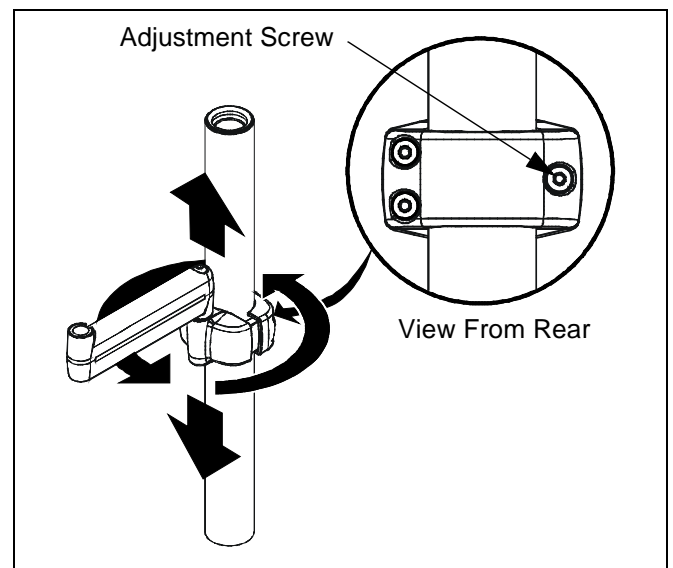
1. Loosen single (right) rear BHCS (30). (see Figure 6)
2. Move FSA-1017 to desired position. (see Figure 6)
3. Tighten BHCS (30).

**⚠ CAUTION!**  
ALWAYS use two people when adjusting FSA-1017 position.



**Figure 4: Install Swing Arm to Front Pole Mount**

8. Place pole mount front with swing arm against pole in approximate mounting location.
9. Place three BHCS (30) into pole mount rear (20) and place against pole aligning with mount front (10).



**Figure 6: Pole Mount Adjustment**

