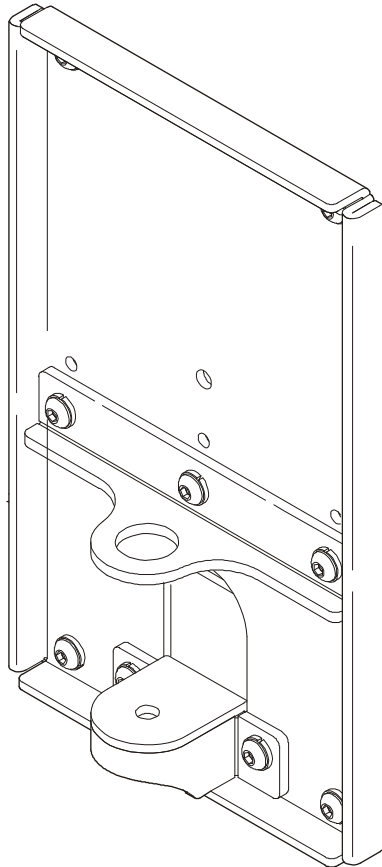

INSTALLATION INSTRUCTIONS




F-Series Steel Stud Installation Kit


DISCLAIMER

Milestone AV Technologies, Inc., and its affiliated corporations and subsidiaries (collectively, "Milestone"), intend to make this manual accurate and complete. However, Milestone makes no claim that the information contained herein covers all details, conditions or variations, nor does it provide for every possible contingency in connection with the installation or use of this product. The information contained in this document is subject to change without notice or obligation of any kind. Milestone makes no representation of warranty, expressed or implied, regarding the information contained herein. Milestone assumes no responsibility for accuracy, completeness or sufficiency of the information contained in this document.


Chief is a trademark of Milestone AV Technologies. All rights reserved.


IMPORTANT WARNINGS AND CAUTIONS!


 **WARNING:** A WARNING alerts you to the possibility of serious injury or death if you do not follow the instructions.


 **CAUTION:** A CAUTION alerts you to the possibility of damage or destruction of equipment if you do not follow the corresponding instructions.


LEGEND


	Tighten Fastener
	Apretar elemento de fijación
	Befestigungsteil festziehen
	Apertar fixador
	Serrare il fissaggio
	Bevestiging vastdraaien
	Serrez les fixations


	Loosen Fastener
	Aflojar elemento de fijación
	Befestigungsteil lösen
	Desapertar fixador
	Allentare il fissaggio
	Bevestiging losdraaien
	Desserrez les fixations


	Hex-Head Wrench
	Llave de cabeza hexagonal
	Sechskantschlüssel
	Chave de cabeça sextavada
	Chiave esagonale
	Zeskantsleutel
	Clé à tête hexagonale

	Phillips Screwdriver
	Destornillador Phillips
	Kreuzschlitzschraubendreher
	Chave de fendas Phillips
	Cacciavite a stella
	Kruiskopschroevendraaier
	Tournevis à pointe cruciforme

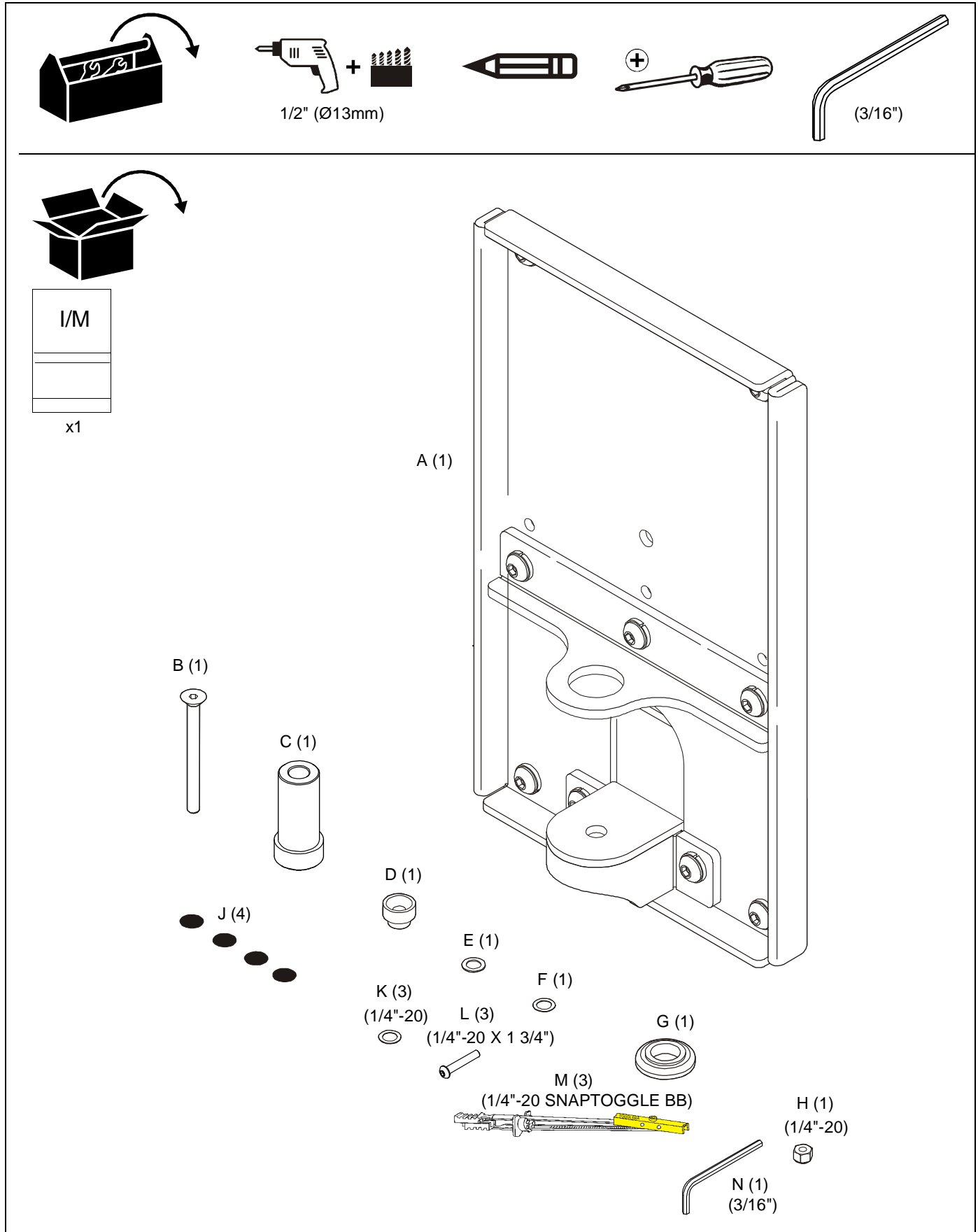
 **WARNING:** Failure to read, thoroughly understand, and follow all instructions can result in serious personal injury, damage to equipment, or voiding of factory warranty! It is the installer's responsibility to make sure all components are properly assembled and installed using the instructions provided.

 **WARNING:** Failure to provide adequate structural strength for the installation of this kit can result in serious personal injury or damage to equipment! It is the installer's responsibility to make sure the structure to which this kit is attached can support five times the combined weight of all equipment.

 **WARNING:** This kit is intended for use only with Chief FWD, FWS, and FWG Swing Arm Wall mounts.

 **WARNING:** Exceeding the weight capacity can result in serious personal injury or damage to equipment! It is the installer's responsibility to make sure the combined weight of all components attached to this accessory does not exceed 40 lbs (18.1 kg).

TOOLS REQUIRED FOR INSTALLATION AND PARTS



Site Requirements

⚠ WARNING: IMPROPER INSTALLATION CAN LEAD TO EQUIPMENT FALLING CAUSING SERIOUS PERSONAL INJURY OR DAMAGE TO EQUIPMENT! The figure below identifies the minimum requirements for installation of display mounts onto a steel stud structure. If the structure or its components do not meet these requirements contact the mount manufacturer for specific instructions before attempting installation. It should also be noted that no other equipment should be mounted to the same stud.

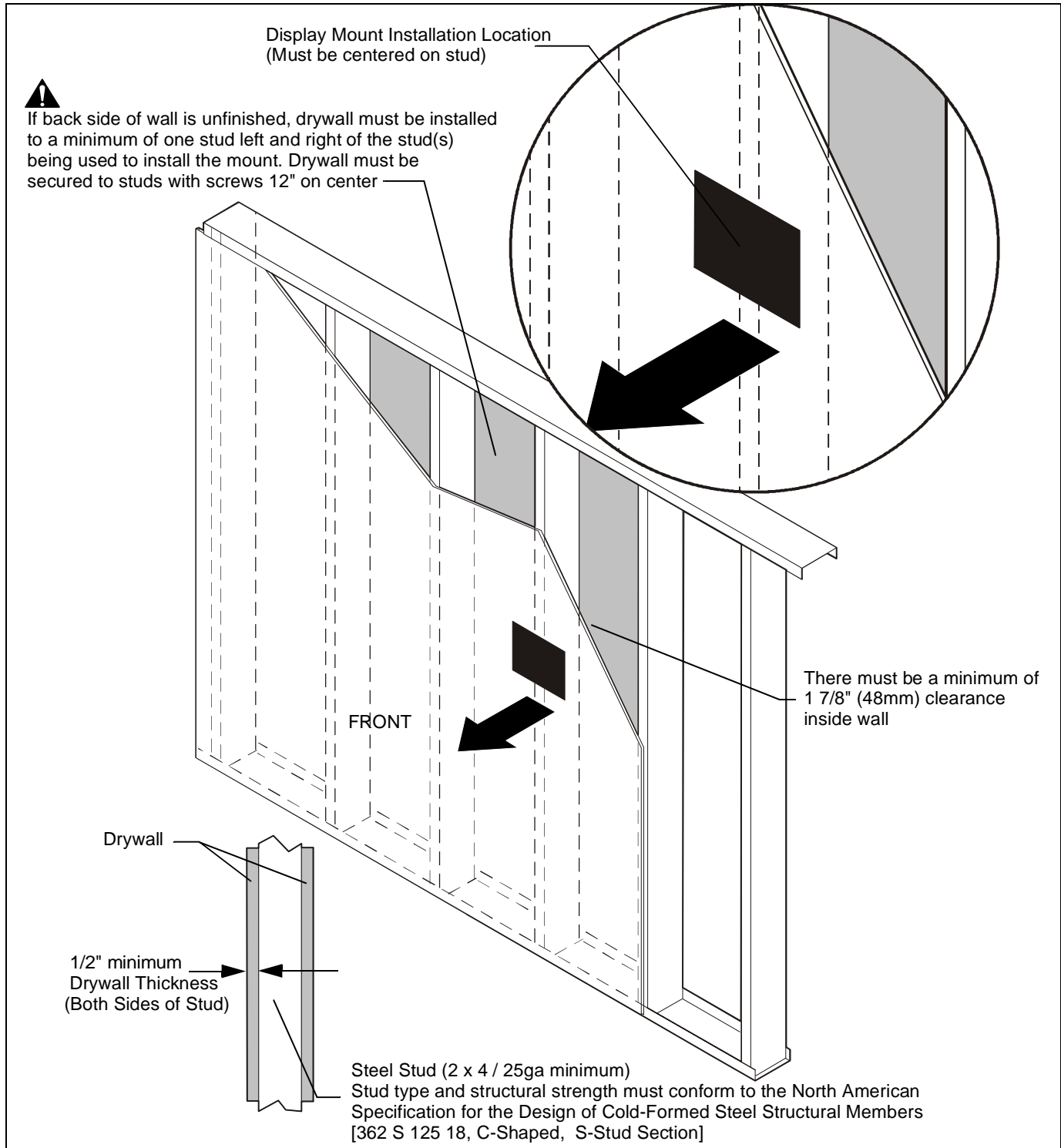


Figure 1

Preparation of Existing Mount

If mount has previously been installed:

1. Remove display from mount following instructions provided with mount.
2. Remove mount from wall following instructions provided with mount.
3. Proceed to step 4.

If mount has not previously been installed:

4. Remove mount wall plate from swing arm assembly by removing screw, washers and spacers, pivot pin and locknut. (See Figure 2)

NOTE: Wall plate and hardware removed is not required for steel stud installation. It may be discarded or kept for future use in a non-steel stud application.

Assemble Swing Arm to Steel Stud Wall Plate

To assemble the mount:

1. Orient swing arm so that it is positioned in front of mounting tabs on wall plate (A). (See Figure 3)
2. Slide inner stud (C) up into bottom of swing arm.
3. Place spacer (G) up against bottom of swing arm and hold spacer (G) and inner stud (C) in place. (See Figure 3)
4. Slide swingarm with inner stud (C) and spacer (G) between mounting tabs in wall plate (A). (See Figure 3)
5. Slide stepped spacer(D), spacer (E) and washer (F) onto flat head cap screw (B). (See Figure 3)
6. Slide flat head cap screw (B) with spacers (E) and washer (F) down into swing arm and through inner stud (C) and lower spacer (G). (See Figure 3)
7. Secure swing arm to mount using Nylock nut (H). (See Figure 3)

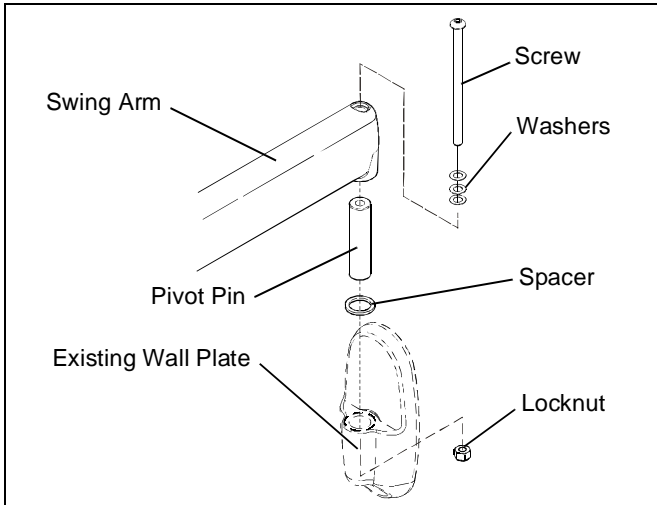


Figure 2

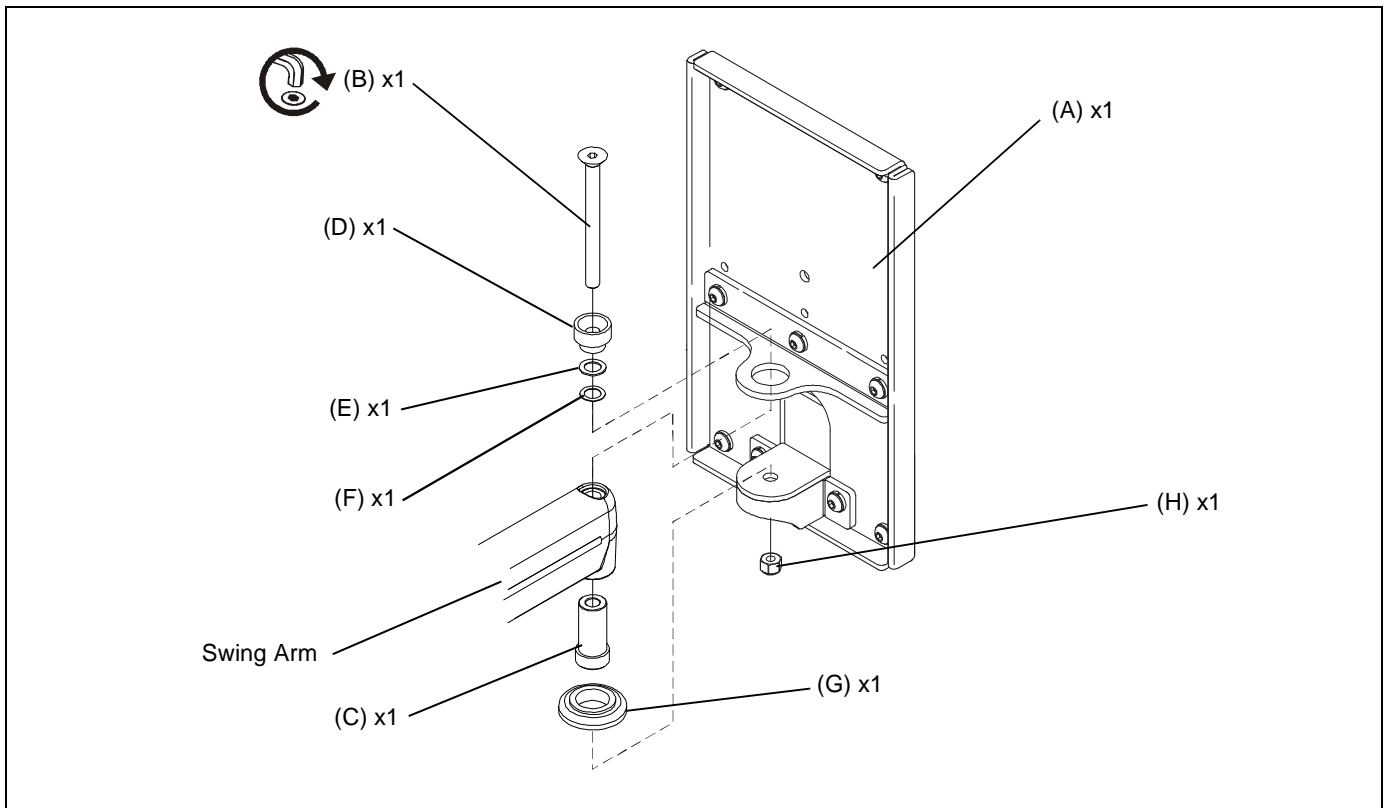


Figure 3

Mount Installation

After determining the site meets the installation requirements:

1. Identify desired mounting location on wall.
2. Using a stud finder or similar method locate studs.
3. Align mounting holes in mount with studs making sure mounting holes are centered on studs.
4. Mark location of three mounting holes on wall. (See Figure 4)
5. Drill three 1/2" (Ø13mm) holes. (See Figure 4)

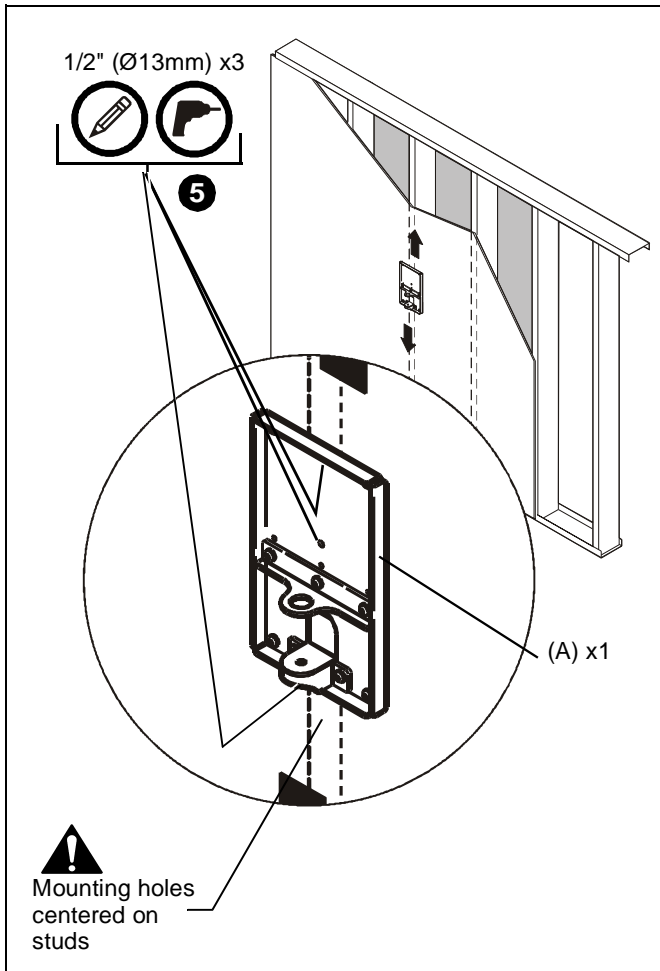


Figure 4

6. Hold metal channel on anchor (M) flat alongside plastic straps and slide channel through hole. (See Figure 5)

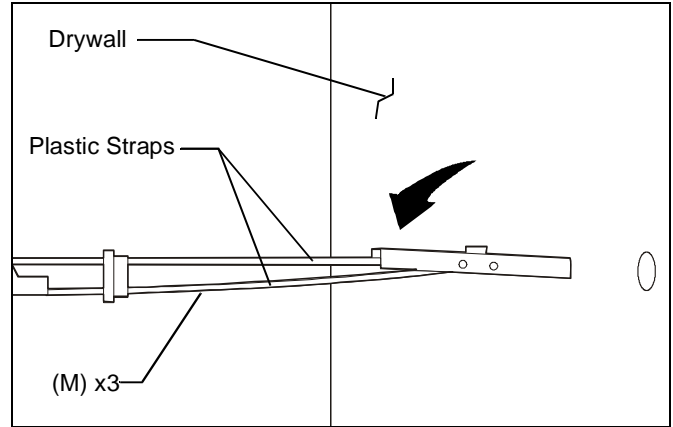


Figure 5

7. Holding plastic straps on anchor (M), pull anchor away from wall until channel rests flush behind wall making sure anchor channel is positioned vertically on stud as show in figures below. (See Figure 6)
8. Slide plastic cap on anchor (M) towards wall until flange of cap is flush with wall. (See Figure 6)

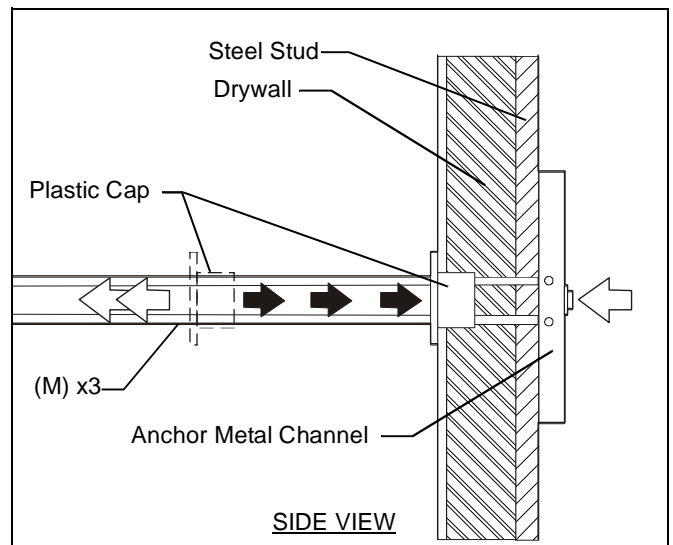


Figure 6

9. Snap off plastic straps on anchor at wall by pushing side to side, snapping off straps level with flange of plastic cap. (See Figure 7)
10. Repeat steps 6 through 9 for each mounting hole.

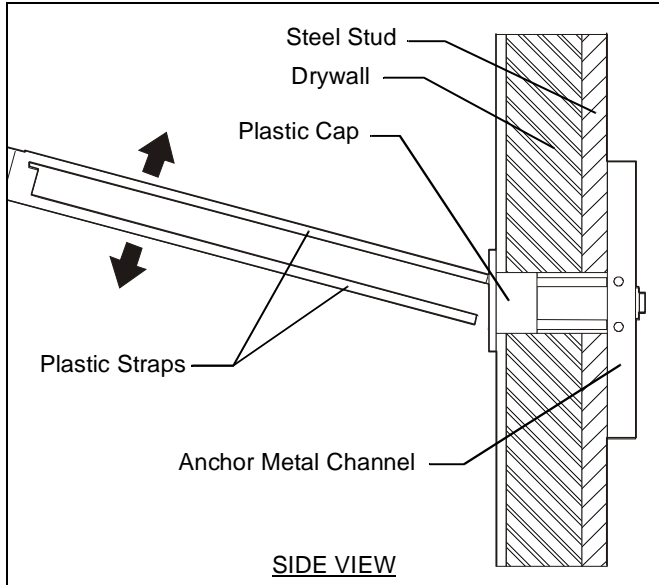


Figure 7

11. Place mount over anchors and align mounting holes in display mount with holes in anchors. (See Figure 8)
12. Place flat washer (K) onto button head capscrew (L).
13. Insert Phillips pan head capscrews (L) with flat washer (K) through mounting hole in display mount and into anchor (M) and tighten until flush against mount. DO NOT overtighten!



WARNING: IMPROPER INSTALLATION CAN LEAD TO EQUIPMENT FALLING CAUSING SERIOUS PERSONAL INJURY OR DAMAGE TO EQUIPMENT! Overtightening of mounting hardware can damage the steel studs. DO NOT overtighten mounting hardware!

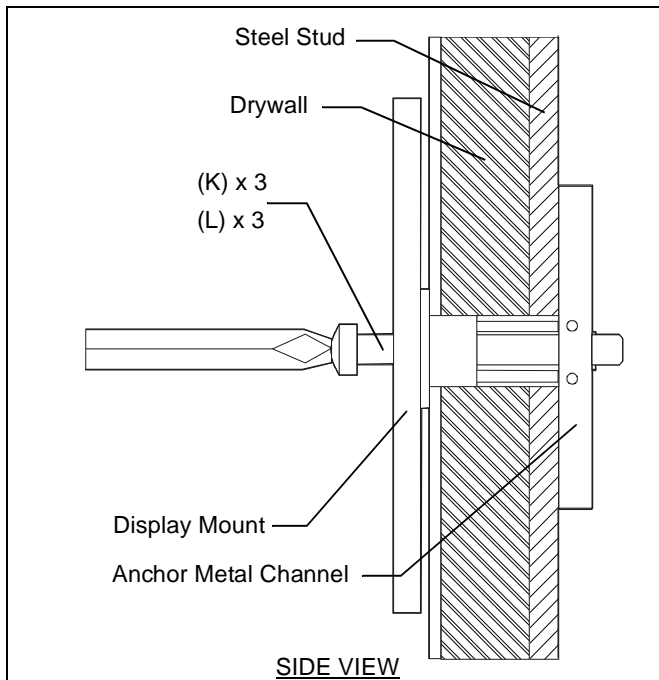


Figure 8



Our Mounts. **Your Vision.**

Chief Manufacturing, a division of
Milestone AV Technologies, Inc.

8804-000347 RevC

©2008 Milestone AV Technologies

www.chiefmfg.com

06/08

USA/International	A 8401 Eagle Creek Parkway, Savage, MN 55378 P 800.582.6480 / 952.894.6280 F 877.894.6918 / 952.894.6918
Europe	A Fellenoord 130 5611 ZB EINDHOVEN, The Netherlands P +31 (0)40 2668620 F +31 (0)40 2668615
Asia Pacific	A Room 24F, Block D, Lily YinDu International Building LuoGang, BuJi Town, Shenzhen, CHINA. 深圳市布吉罗岗村百合银都国际大厦D栋24F P +86-755-8996 9226 F +86-755-8996 9217