

# INSTALLATION INSTRUCTIONS

## FSA210 Interface Bracket Accessory

Unpack carton and verify kit contents. If any listed parts are missing, immediately contact a Chief Customer Service representative by calling 1-800-582-6480.



**WARNING: IMPROPER INSTALLATION CAN LEAD TO EQUIPMENT FALLING CAUSING SERIOUS PERSONAL INJURY AND DAMAGE TO EQUIPMENT! DO NOT substitute hardware. Use only hardware supplied by manufacturer!**

### Installation:



**WARNING: OVERTIGHTENING OF SCREWS CAN DAMAGE PARTS AND LEAD TO SERIOUS PERSONAL INJURY AND DAMAGE TO EQUIPMENT! DO NOT over tighten screws when installing interface brackets.**

### Attach VESA Bracket to Display

1. Lay display face down on a clean and dry flat surface.



**CAUTION:** Make sure surface is clean and free of dirt and debris before laying display down.

2. Attach VESA Plate to display using four flat head screws. (See Figure 1)

**NOTE:** If the display has a recessed mounting surface, spacers between the display and bracket may be required.

3. Tighten all screws.

### Attach Display to VESA Bracket

1. Start two Phillips pan head screws into top mounting holes on bracket. (See Figure 2)
2. Align mounting holes on bracket with screws installed in Step 1. (See Figure 2)
3. Install remaining two Phillips pan head screws into bottom mounting holes of bracket.
4. Tighten screws.

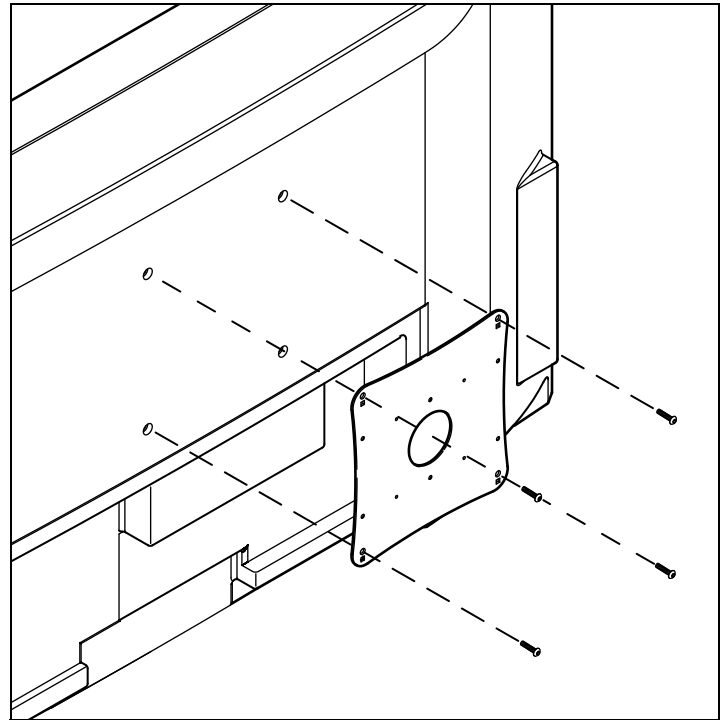


Figure 1

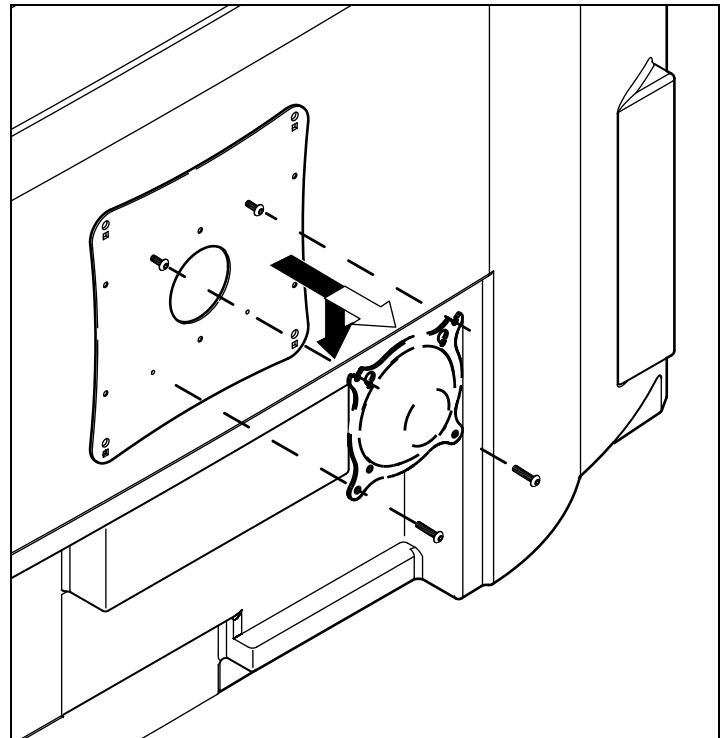


Figure 2

CSAV, Inc., and its affiliated corporations and subsidiaries (collectively, "CSAV"), intend to make this manual accurate and complete. However, CSAV makes no claim that the information contained herein covers all details, conditions or variations, nor does it provide for every possible contingency in connection with the installation or use of this product. The information contained in this document is subject to change without notice or obligation of any kind. CSAV makes no representation of warranty, expressed or implied, regarding the information contained herein. CSAV assumes no responsibility for accuracy, completeness or sufficiency of the information contained in this document.