
INSTALLATION INSTRUCTIONS

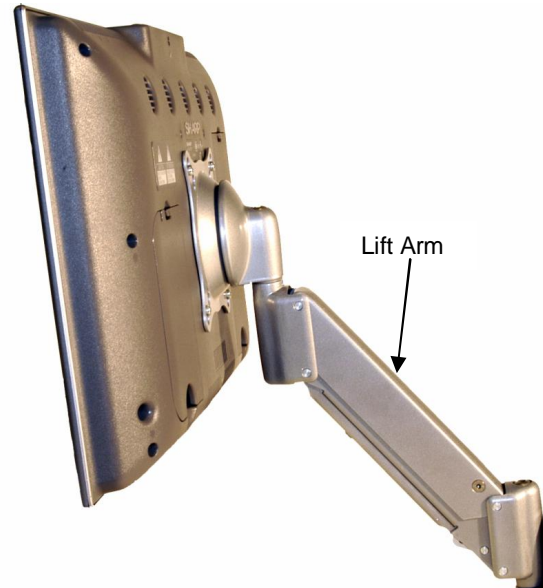
Small Flat Panel Lift Arm FSA-1004 and KSA-1004

The Lift Arm FSA/KSA-1004 is an accessory that can be used with a broad range of Small Flat Panel Displays.

The FSA/KSA-1004 allows the user to move a display vertically up or down in a 13 inch radius. The lift arm can be moved vertically 6-1/2" up from center and 6-1/2" down from center.

The FSA/KSA-1004 is designed to safely hold a display weighing up to 25 lbs. (11.3kg). The display can be up to 30 inches wide.

The FSA/KSA-1004 accommodates all VESA® 75mm/100mm compliant displays.



BEFORE YOU BEGIN

- **CAUTION:** To prevent damage to the mount, which could affect or void the Factory warranty, thoroughly study all instructions and illustrations before you begin to install the mount brackets. Pay particular attention to the "Important Precautions" on Page 2.
- If you have any questions about this installation, contact Chief Manufacturing at 1-800-582-6480 or 952-582-6480.



CHIEF MANUFACTURING INC.
1-800-582-6480 952-894-6280 FAX 952-894-6918
8401 EAGLE CREEK PARKWAY, STE. 700
SAVAGE, MINNESOTA 55378 USA

8832-000041 Rev. F
©2007 Chief Manufacturing
www.chiefmfg.com
03/07



IMPORTANT WARNINGS and CAUTIONS!

- WARNING** A **WARNING** alerts you to the possibility of serious injury or death if you do not follow the instructions.
- CAUTION** A **CAUTION** alerts you to the possibility of damage or destruction of equipment if you do not follow the corresponding instructions.
- **WARNING** **Improper installation can result in serious personal injury! Make sure that the mounting surface can support a redundant weight factor *five times* the total weight of the equipment: if not, reinforce the mounting surface structural members before installing the FSA/KSA-1004.**
 - **WARNING** **Be aware of the potential for personal injury or damage to the unit if it is not adequately mounted.**
 - **WARNING** **The installer is responsible for verifying that the mounting surface to which the FSA/KSA-1004 is anchored will safely support the combined load of all attached components or other equipment.**
 - **WARNING** **The combined weight of the display placed on the FSA/KSA-1004 must not exceed 25 lbs. (11.3kg), the maximum load capacity of the mount.**
 - **WARNING** **Watch for pinch points. Do not put your fingers between movable parts.**
 - **WARNING** **Make sure the mount is correctly oriented.**
 - **WARNING** **When using an OFB and adding an additional arm to an existing mount, the total number of arms on the mount cannot exceed two arms.**
 - **CAUTION** Check the unit for shipping damage before you begin the installation.
 - **CAUTION** Over-tightening mounting screws may damage your display.

CONTENTS

PARTS.....	3
PARTS LIST	3
INSTALLATION.....	4
Removing the Display from the Mount.....	4
Installing the Lift Arm	5
Installing base end of lift arm	5
Installing display end of lift arm.....	5
Adjusting Lateral Movement.....	6
Adjusting Lift Arm Tension	6
Cable Management	Error!

TOOLS REQUIRED FOR INSTALLATION

- 5/32" Hex key wrench (provided)
- 3/16" Hex Key wrench (provided)

NOTE: Other tools may be required depending on the method of installation.

PARTS

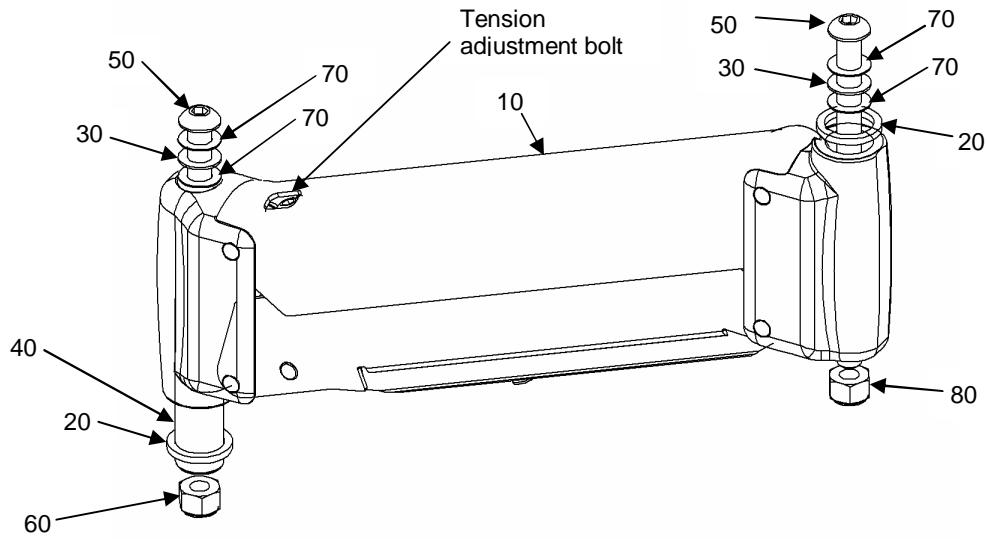


Figure 1. Lift Arm Installation Drawing

PARTS LIST

Table 1. Lift Arm Parts

PART	DESCRIPTION	QTY
10	LIFT ARM	1
20	WASHER, UHMW, .640 ID X .845 OD	2
30	WASHER, UHMWPE, .318 ID X .031 OD	2
40	PIVOT PIN, SPF	1
50	CAPSCREW, BUTTON HEAD	2
60	LOCK NUT, NYLOCK	1
70	SPACER, STAINLESS STEEL, .320 X .018	4
80	LARGE LOCK NUT, NYLOCK	1

INSTALLATION

Adding a lift arm modifies your mount configuration. This procedure applies to most small flat panel displays, particularly those with a pivot or swing arm, whether wall mount or desk mount.

Removing the Display from the Mount

To remove the display from its mount, perform the following steps:

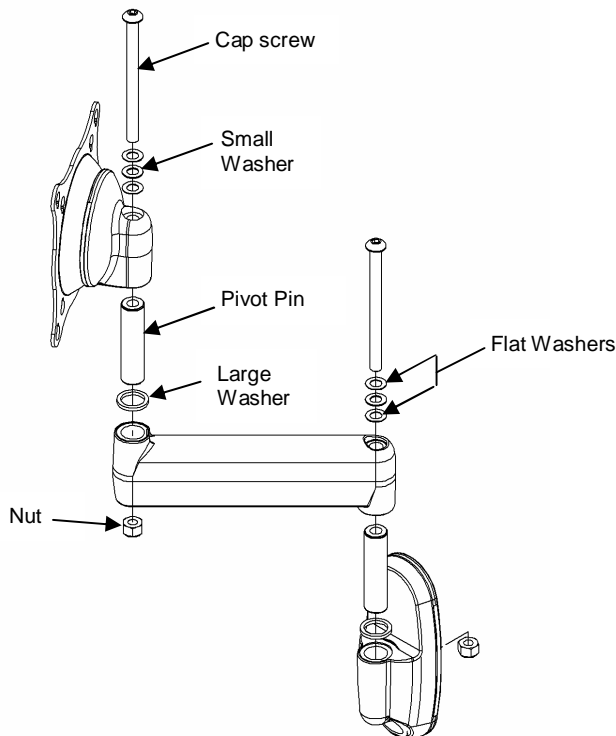
NOTE: Do not remove the four screws (not shown) that attach the display to the interface bracket.

1. Disconnect the power/audio/video cables from the display (not shown).
2. Remove the cap screw, washers, pivot pin, and retaining nut from the display end of the mount. Refer to Figure 2. Separate the display from the mount.

3. To remove the pivot pin (see Figure 2) from the other end, do the following:
 - a. If the mount is a pivot/pitch wall mount, remove the attaching hardware from the display.
 - b. If the mount is wall mounted, desk mounted, or has more than one swing arm, remove the attaching hardware from the arm closest to the display.

NOTE: The two button head cap screws removed from the mount will be replaced with longer screws when the lift arm is installed.

NOTE: Keep the pivot pin removed in step 2. This part will be used again when the lift arm is installed.



Display Mount Parts — Typical

PART NAME	QTY
SCREW, CAP	2
WASHER, FLAT	4
SMALL WASHER, NYLON	2
LARGE WASHER, NYLON	2
NUT, NYLOCK	2

Figure 2. Single Swing Arm (FWS-110) — Example

Installing the Lift Arm

To install the lift arm, perform the following procedures:

Installing base end of lift arm

1. Locate the tension adjustment bolt on the lift arm (see Figure 3). Install the pivot pin (40) and a washer (20) onto the base of the mount.
2. Assemble a button head cap screw (50), one stainless steel washer (70), washer (30), and a second stainless steel washer (70) onto button head cap screw (50) as shown in Figure 3.
3. Insert the screw assembly (step 2) into the pivot hole on the lift arm (10) and the base end of the mount.
4. Thread the lock nut (60) to the screw assembly (step 2) at the bottom of the mount.

CAUTION: Over-tightening a tension screw (50) will cause excessive wear and may distort adjustment components.

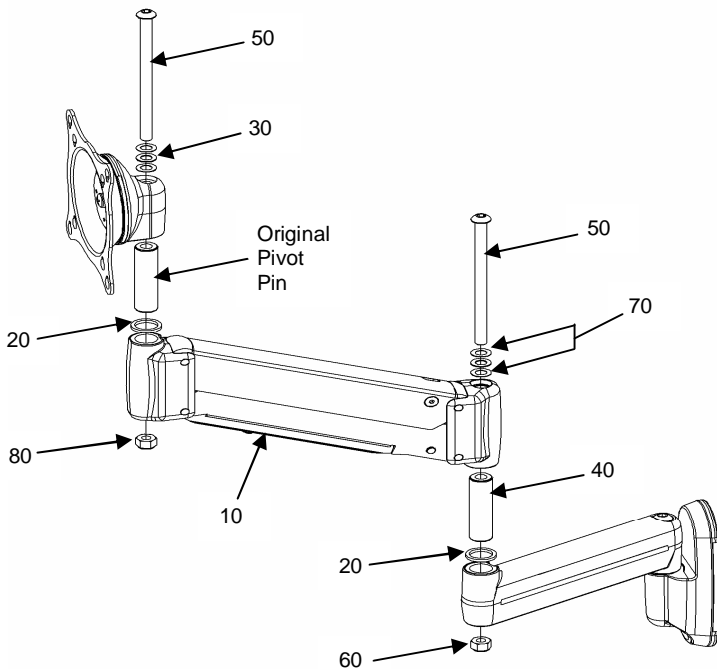
5. Using the 3/16" hex key (provided), tighten the button head cap screw (50) into the nut (60) several turns, leaving flexibility in the hinged joint. Do not over-tighten the cap screw (50).

Installing display end of lift arm

1. Install the original pivot pin (see Figure 3) that was retained when the display was removed and a washer (20) onto the base of the mount.
2. Assemble a button head cap screw (50), one stainless steel washer (70), washer (30), and a second stainless steel washer (70) onto button head cap screw (50) as shown in Figure 3.
3. Insert the screw assembly (step 2) into the pivot hole on the lift arm (10) and the display end of the mount.
4. Thread the lock nut (80) to the screw assembly (step 2) at the bottom of the mount.

CAUTION: Over-tightening a tension screw (50) will cause excessive wear and may distort adjustment components.

5. Using the 3/16" hex key (provided), tighten the button head cap screw (50) into the nut (80) several turns, leaving flexibility in the hinged joint. Do not over-tighten the cap screw (50).



Lift Arm Parts

ITEM	PART NAME	QTY
10	LIFT ARM	1
20	LARGE WASHER, NYLON	2
30	SMALL WASHER, NYLON	2
40	PIVOT PIN, SPF	1
50	CAP SCREW, BUTTON HEAD	2
60	LOCK NUT, NYLOCK	1
70	SPACER, STAINLESS STEEL	4
80	LARGE LOCK NUT, NYLOCK	1

Figure 3. Installing Lift Arm

Adjusting Lateral Movement

CAUTION: Over-tightening tension bolt will cause excessive wear and may distort adjustment components.

To adjust the lateral movement tension, perform the following procedures:

1. Slightly tighten or loosen the tension adjustment bolt.
2. Check for desired tension. Repeat as necessary.

Adjusting Lift Arm Tension

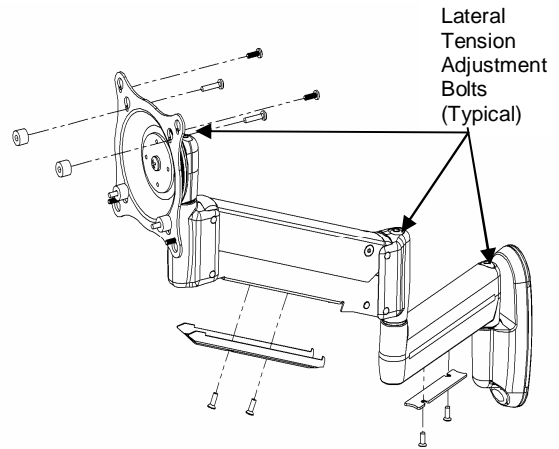
CAUTION: Over-tightening tension bolt will cause excessive wear and may distort adjustment components.

To adjust the tension of the lift arm:

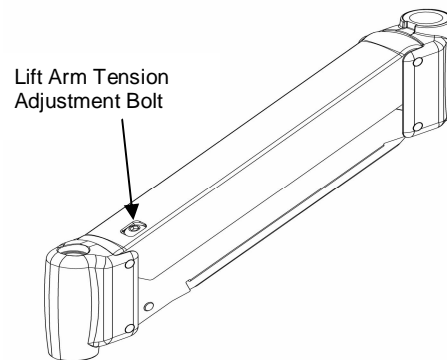
1. Raise or lower the lift arm until tension adjustment bolt appears in the opening.
2. Using the 5/32" hex key (provided), adjust the tension adjustment bolt, as follows:

NOTE: There is no fixed number of revolutions to turn the tension adjustment bolt. Tighten or loosen the bolt, as needed. When the bolt is adjusted correctly, the display can be easily raised or lowered at any time, and stay in place without sagging.

- a. To increase lift arm tension, turn the tension adjustment bolt counterclockwise.
 - b. To decrease lift arm tension, turn the tension adjustment bolt clockwise.
3. Raise or lower the lift arm to check for desired tension. Repeat step 2 as needed.



Adjusting Lateral Movement



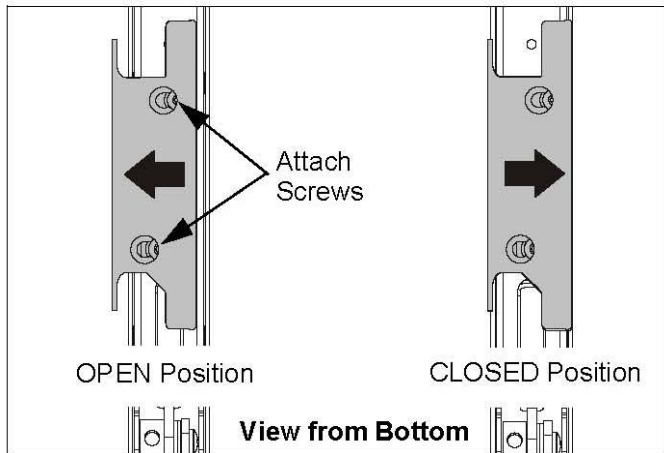
Adjusting Lift Arm Tension

CABLE MANAGEMENT

Item	Description	Qty
10	COVER, Arm	1 per arm
20	SCREW, Phillips Flat Machine, 8-32 x 3/8"	2 per arm
30	WRENCH, Hex, 3/32" (provided)	1

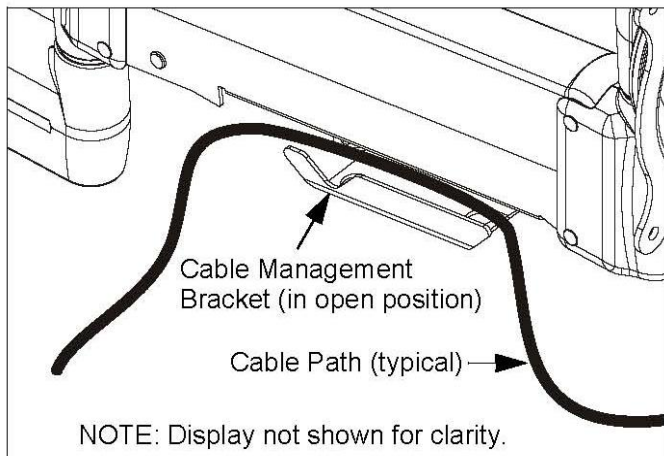
- a. Attach all cables to display.
- b. Open the cable management bracket by sliding it towards the edge of the arm.

NOTE: If necessary, cable management bracket attach screws may be loosened using hex key (30).



CAUTION: Ensure that adequate cable slack exists for movement of display, and that cables will not be pinched when bracket is closed.

- c. Carefully insert cables into bracket .

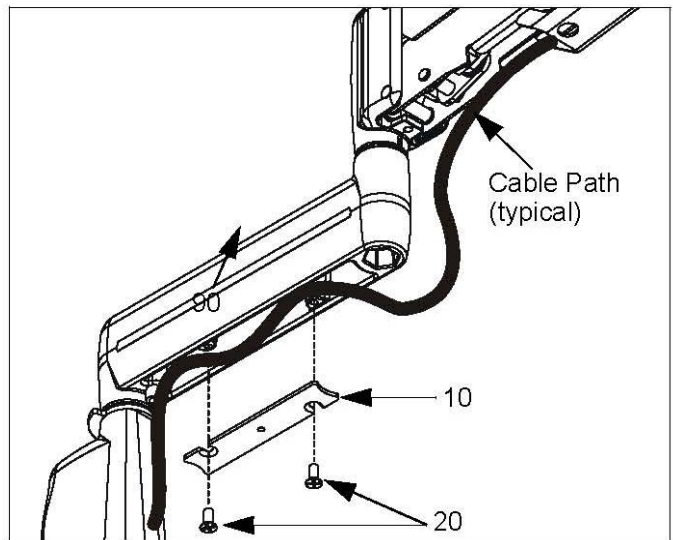


- d. Close cable management bracket by sliding it back towards the centerline of the arm.

NOTE: If necessary, cable management bracket attach screws may be tightened using hex key (30).

CAUTION: Ensure that adequate cable slack exists for movement of display, and that cables will not be pinched by installation of cover (10) or screws (20).

- e. Carefully insert cables in cavity located in lower portion of mount arm (See Figure 22).
- f. Using Phillips screwdriver, install cover (10) with two screws (20).



NOTE: Installation is complete.