



INSTALLATION INSTRUCTIONS

FSB-4120

FLAT PANEL DISPLAY ADAPTER PLATE

For the Samsung LT-P2045P

Prior to assembly, unpack carton completely and verify contents.

If you are missing any of the following components, please contact Customer Service at 1-800-582-6480.

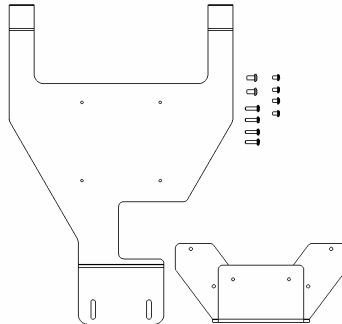


Figure 1

- (1) Adapter Bracket Top
- (2) 10-24 Phillips Head Screws
- (4) M4 X 16mm Screws (removed from back of screen)

- (1) Adapter Bracket Bottom
- (4) M4 X 5mm Phillips Pan Head Screws

CAUTION!

BEFORE PROCEEDING, READ INSTALLATION INSTRUCTIONS COMPLETELY

FLAT PANEL DISPLAYS ARE EXTREMELY FRAGILE.

1. Remove the factory stand. To do this, remove the four screws from the back of the screen (see Figure 1) that hold the stand on.

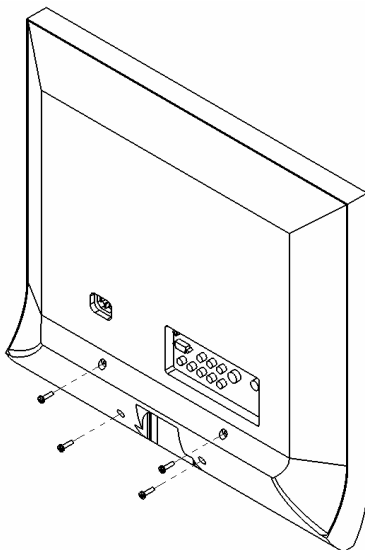


Figure 1

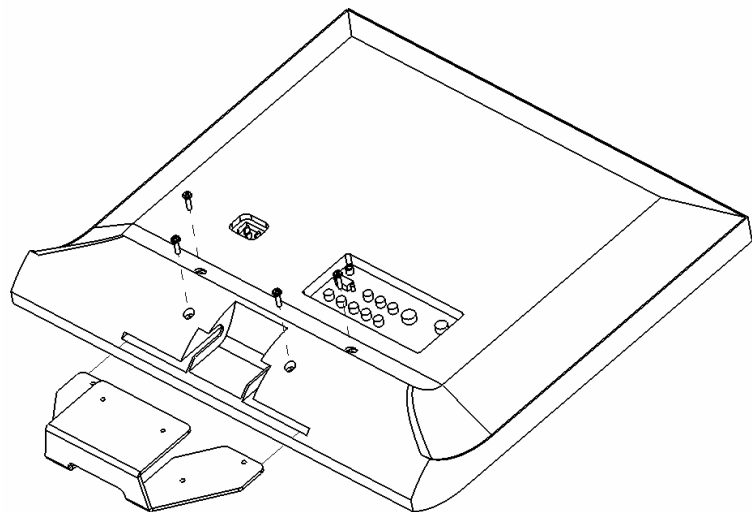


Figure 2



CHIEF MANUFACTURING INC.
1-800-582-6480 or 952-894-6280 FAX 952-894-6918
8401 EAGLE CREEK PKWY, STE. 700
SAVAGE, MINNESOTA 55378 USA

8804-000349 RevA
2008 Chief Manufacturing
www.chiefmfg.com
1/08

2. Insert bottom adapter bracket and use the screws from the monitor to secure the bracket (see Figure 2).
3. Connect top adapter bracket to using top hooks (see Figure 3). Secure top adapter bracket to bottom adapter bracket using the two 10-24 Phillips head screws (see Figure 4).

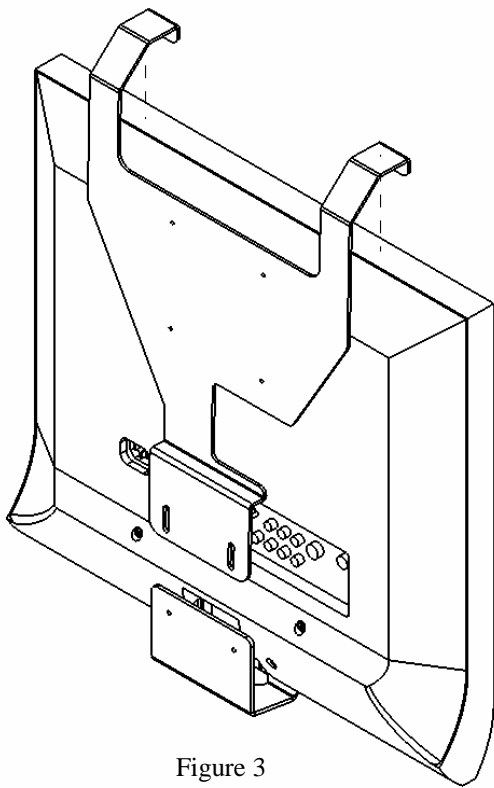


Figure 3

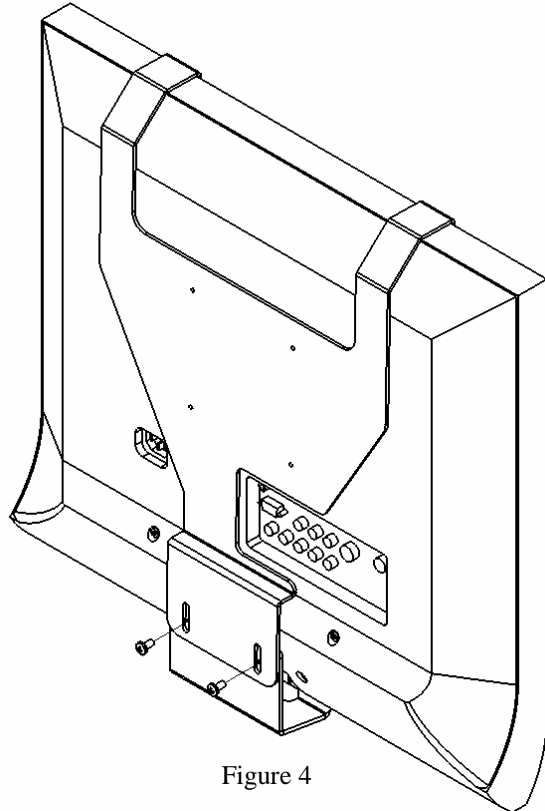


Figure 4

4. Attach to F-Series mount with the four M4 x 5mm screws (see Figure 5).

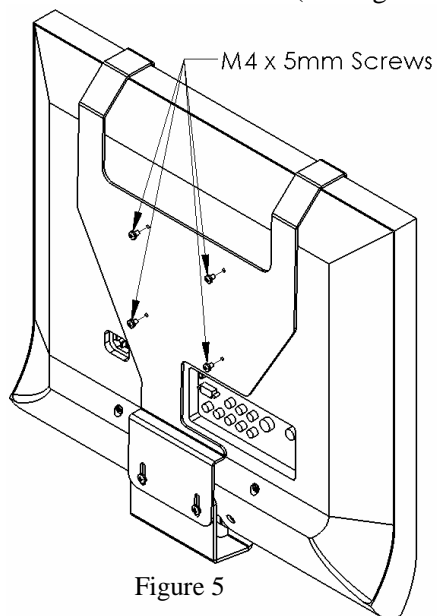


Figure 5