



INSTALLATION INSTRUCTIONS

FSB-4200

PANASONIC TC-15LT1 INTERFACE BRACKET

Prior to assembly, unpack carton completely and verify contents.

If you are missing any of the following components, please contact Customer Service at 1-800/582-6480

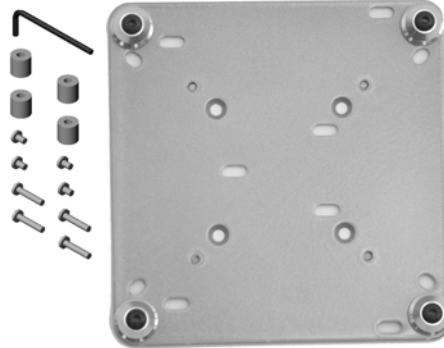


Figure 1

(1) Interface Bracket

(4) Nylon Spacers, 1/2(.194) X 1/2"

(1) 1/8" Hex Key

(4) M4-.7 X 25mm Phillips Screws, Pan Head

(4) M4-.7 X 6mm Phillips Screws, Pan Head

BEFORE PROCEEDING, READ INSTALLATION INSTRUCTIONS COMPLETELY

CAUTION! LCD Displays are Extremely Fragile.

1. Remove three screws securing stand to display and remove stand.
2. Using four slotted holes of interface bracket (see Figure 2), align interface bracket with four mounting holes in the back, middle of the display.
3. Place Nylon spacers between display and interface bracket.
4. Using four M4-.7 X 25mm Phillips Screws (provided), secure bracket and Nylon spacers to display. Do not over tighten screws.

Optional VESA Mounting

5. Using 1/8" hex key, remove (4) mounting buttons from adapter bracket.
6. Using four inside holes of interface bracket and M4-.7 X 6mm Phillips Screws (provided), secure interface bracket to any 75mm VESA pattern.

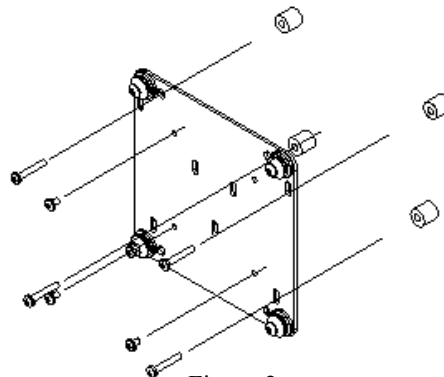


Figure 2