



INSTALLATION INSTRUCTIONS

FSB-4203

BENQ FP581S AND FP781 INTERFACE BRACKET

Prior to assembly, unpack carton completely and verify contents.

If you are missing any of the following components, please contact Customer Service at 1-800/582-6480

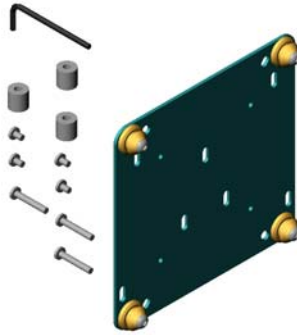


Figure 1

- | | |
|--|-------------------------------------|
| (1) FSB-4203 Interface Bracket | (4) M4-.7 x 6mm Phillips Head Screw |
| (3) M4-.7 x 25mm Phillips Pan Head Screw | (3) 1/2" X 1/2" Nylon Spacer |
| (1) 1/8" Hex Key | |

BEFORE PROCEEDING, READ INSTALLATION INSTRUCTIONS COMPLETELY

CAUTION! FLAT PANEL DISPLAYS ARE EXTREMELY FRAGILE.

1. If flat panel display has stand attached, remove existing stand.
2. Place (3) 1/2" X 1/2" Nylon spacers over four mounting holes in flat panel display.
3. Using (3) M4 x 20mm Phillips pan head screws, secure adapter plate to flat panel display.

Optional VESA Mounting

4. Using 1/8" hex key, remove (4) mounting buttons from adapter bracket.
5. Using four tapped holes of interface bracket and M4-.7 X 6mm Phillips Screws (provided), secure interface bracket to any 75mm VESA pattern.

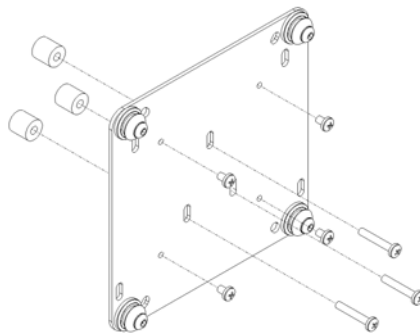


Figure 2